

A Publication of
 Philips Speech Processing
 Technical Service Group Vienna
 Computerstrasse 6
 A-1101 Vienna, Austria.
 Tel. +43 1 601 01 ext. 1402
 Fax +43 1 601 01 1833

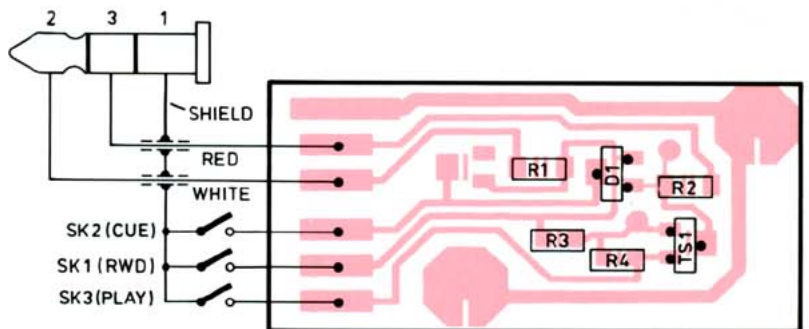
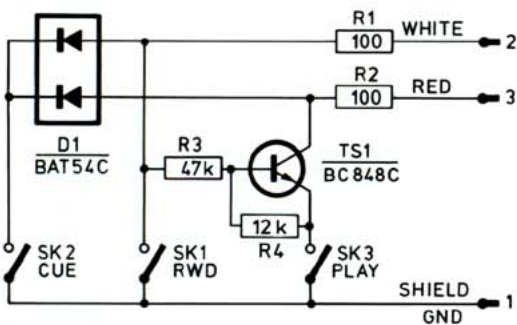
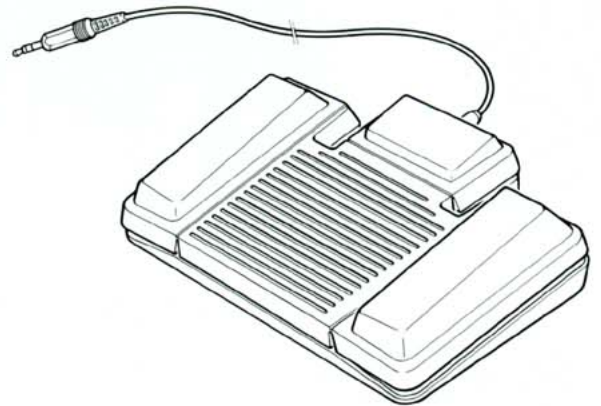
Service Manual

Accessories

5122 991 725 21
 November 1996

Foot control LFH 0210/90

The LFH 0210/90 is the official successor of the well known flat LFH 0210/00, suitable for all new analogue Desk Top Systems LFH 0710, LFH 0720, LFH 0725 and LFH 0730. The LFH 0210/90 is also suitable for digital Speech Processing Products, e.g. LFH 7700/LFH 7300, LFH 5202.



	STOP	RWD	CUE	PLAY
pin 2	1	0	0	1
pin 3	1	1	0	0

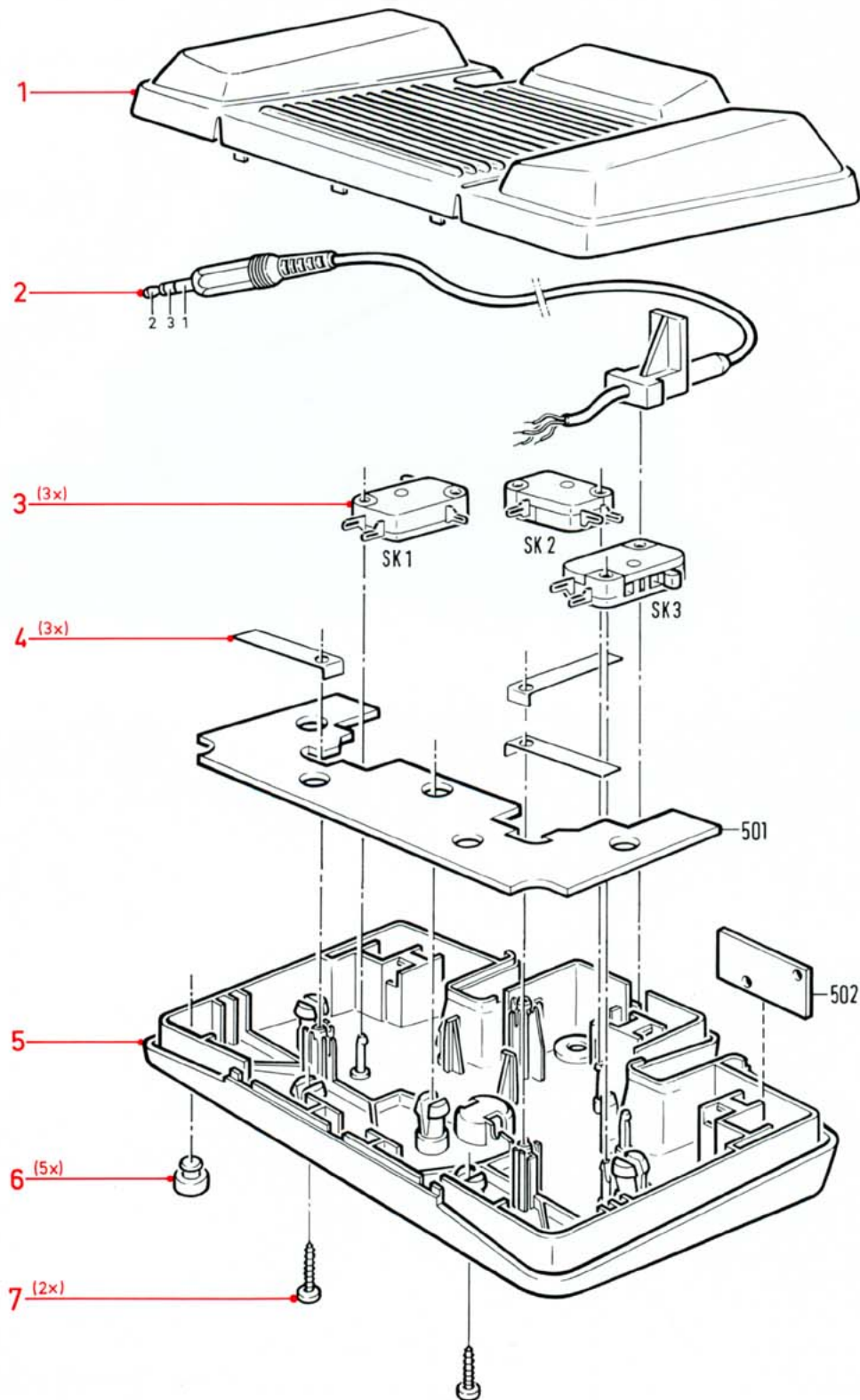
p. t. o.

Subject to technical modifications. Copyright Philips Speech Processing GmbH, Vienna. All rights are reserved. Reproduction in whole or in parts is prohibited without the written consent of the copyright owner.

Let's make things better.



PHILIPS



Partslist

POS.	DESCRIPTION	SERVICE CODE
1	UPPER HOUSING	5322 441 11871
2	CABLE, ASSY.	5322 320 11784
3	MICRO SWITCH (3 x)	5322 271 30068
4	LEAF SPRING (3 x)	5322 492 63854
5	LOWER HOUSING	5322 441 11872
6	FOOT (5 x)	5322 462 41204
7	SCREW 2.2 x 15 (2 x)	5322 502 14409
D1	SMD-DIODE, BAT 54C (L43)	4822 130 82594
TS1	SMD-TRANS. BC 848C (1L)	5322 130 42136

LFH 0210/90-1

5122 999 72721
 April 1999

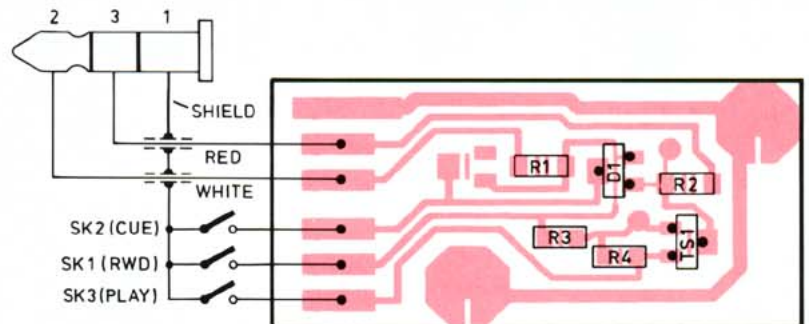
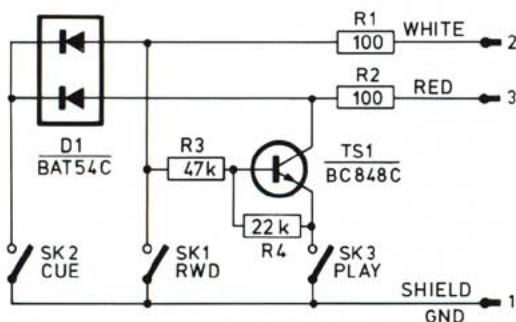
LFH 0210/90

Subject: Longer cable introduced; additionally an electrical modification has been applied to enable foot switch to work also with sound cards with 3 V output voltage offered on game port

To meet several customer requests to fit the length of the foot switch cable in a better way with new style furniture provided with dedicated cable runways, the overall length has been enlarged by 30 cm. The service code number for the cable assy., remains unchanged 5322 320 11784.

At the same time 0805-chip resistor R 4 has been changed from 12 K to 22 K to perform also with sound cards providing 3 V output voltage on the game port. (Problem: Play mode doesn't work.)

This electrical modification doesn't have any influence to any existing applications. Both changes took place during production as from date code 910 onwards, hot punched onto the lower housing of the foot switch.



	STOP	RWD	CUE	PLAY
pin 2	1	0	0	1
pin 3	1	1	0	0



PHILIPS

Let's make things better.

A Publication of
Philips Speech Processing
Technical Service/Support Group Vienna
Gutheil-Schoder-Gasse 12
A-1102 Vienna, Austria
Tel. +43 1 60101 ext. 1309
Fax +43 1 60101 1833

Technical Bulletin

Accessories

Foot Control

LFH 0210/90B

LFH 0210/90-2

5122 991 73561
September 2004

Introduction of Release 2 (B) of the Foot control LFH 0210/90

Starting with the introduction of Release 2 (B) the PLAY pedal of the Foot Control can be switched to toggle mode.

Please find below the relevant service code number with regard to the modification indicated above.

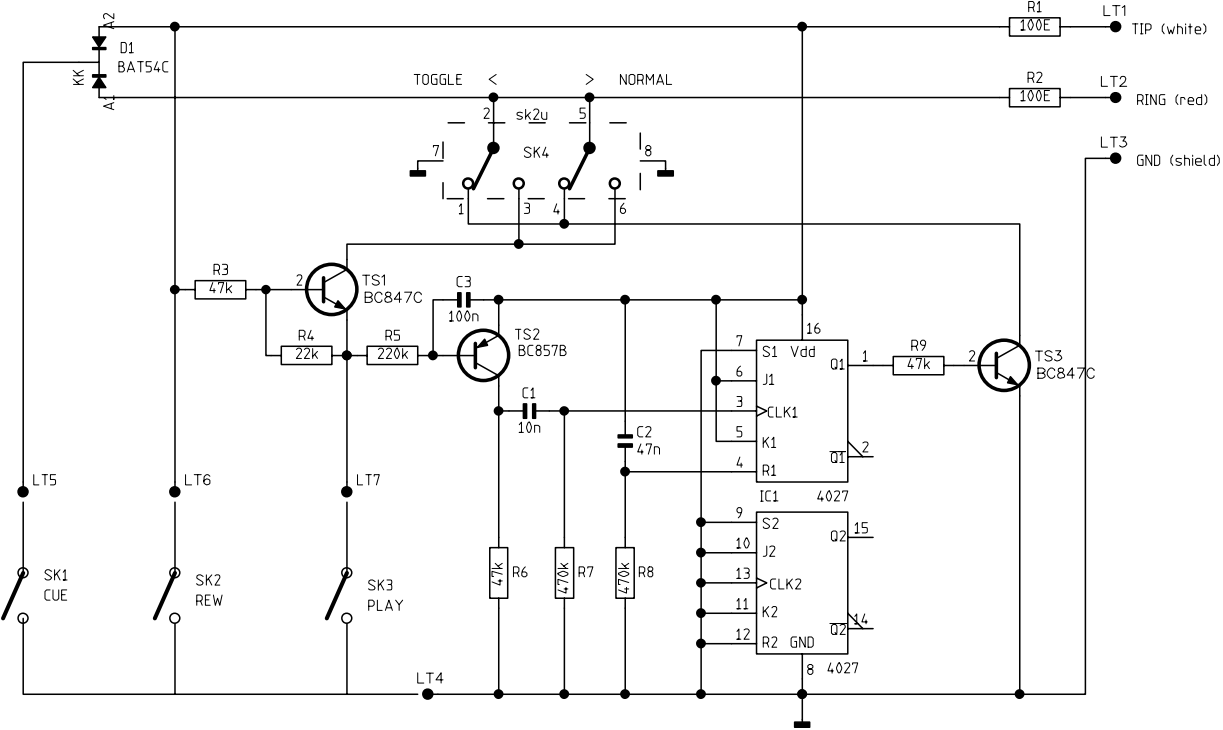
<u>POS.</u>	<u>DESCRIPTION</u>	<u>SERVICE CODE</u>
5	LOWER HOUSING	5103 104 32680

For Circuit diagram, Printed Circuit Board (PCB), and Wiring please see the following pages.

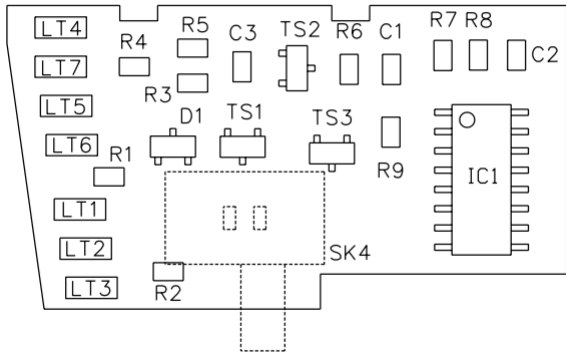
Subject to technical modifications. Copyright Philips Austria GmbH, Speech Processing. All rights reserved.

The Philips logo, consisting of the word "PHILIPS" in a bold, blue, sans-serif font.

Circuit diagram LFH 0210/90B



Printed Circuit Board (PCB) LFH 0210/90B



Wiring LFH 0210/90B

