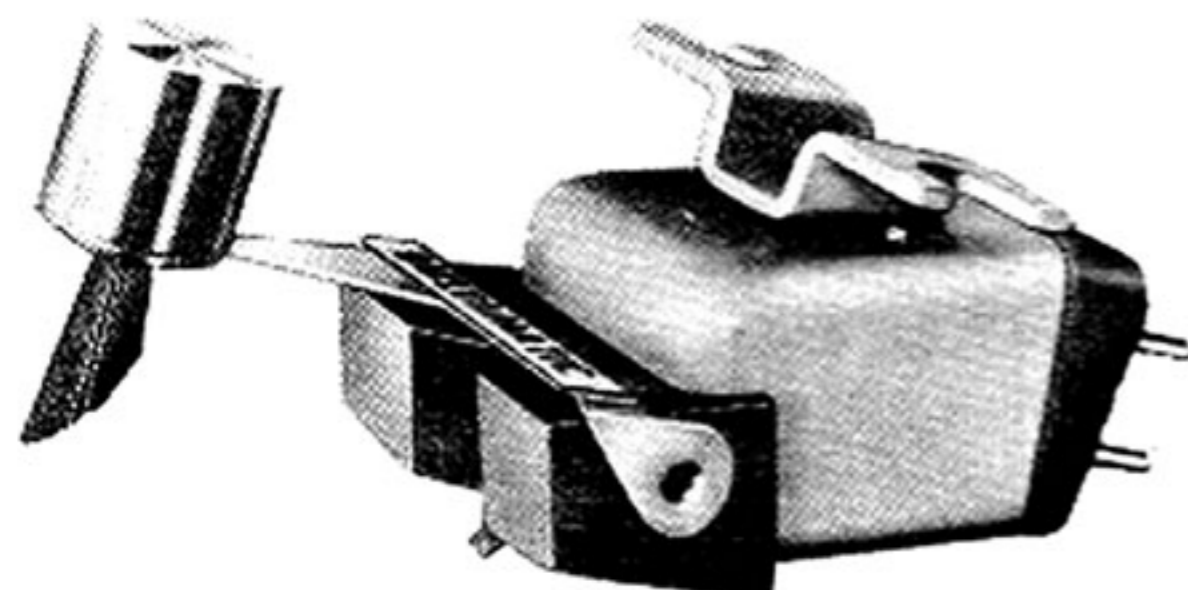




"for those who can hear the difference"

EP-200 SERIES STEREO CARTRIDGE



Made in U.S.A.

V-GUARD™ STYLUS with DUSTAMATIC™ BRUSH

The patented, replaceable V-GUARD™ DUSTAMATIC™ stylus assembly is removable. Simply grasp between the tips of thumb and forefinger. Pull gently to remove the stylus assembly. Although the V-GUARD stylus assembly is sturdily constructed, please handle it carefully when removing and replacing it.



1614-9360-01

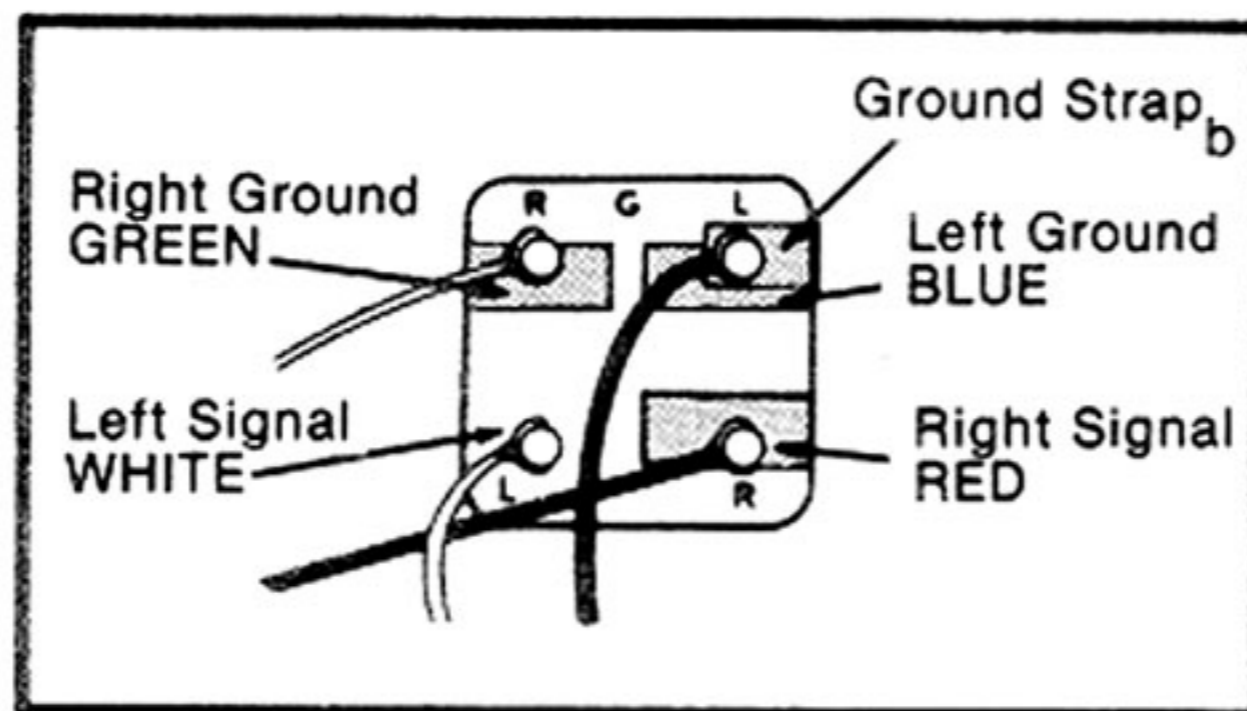
Printed in U.S.A.

REPLACEMENT STYLUS with DUSTAMATIC™ BRUSH

Stylus Type	Size	Force
PD/AME (no brush)	Elliptical .0003" x .0007"	1 to 3 grams
DAME-3 (with brush)	Elliptical .0003" x .0007"	1 to 3 grams

STEREO CONNECTIONS

1. Your turntable arm or head has four lead wires with terminal clips for normal stereo connection. Check the manufacturer's instruction for matching these leads with cartridge terminal pins.



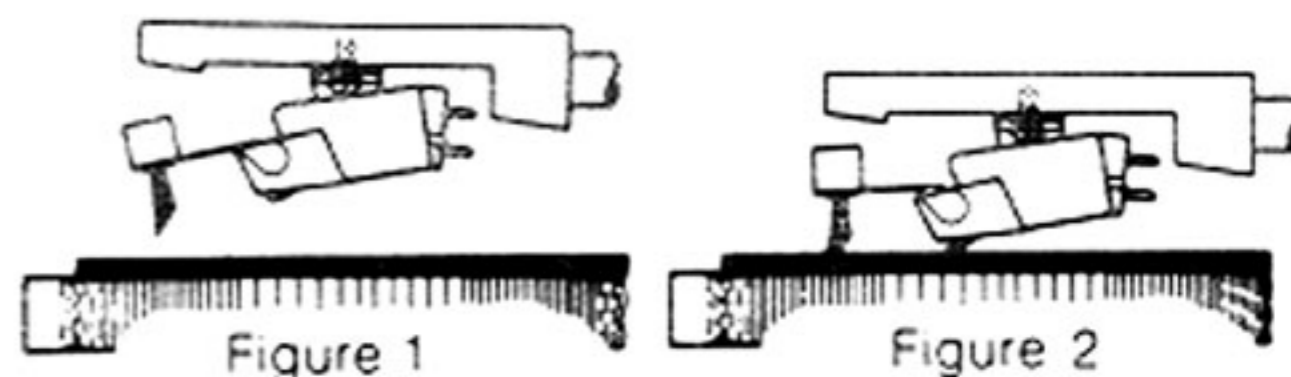
NOTE: a. Use your terminal clips in connecting lead wires to cartridge pins—Do not use solder on cartridge pins.

b. In metallic tone arm heads remove the ground strap when hum is encountered.

c. Ground your turntable mechanism with a separate wire to a suitable ground point.

TRACKING ADJUSTMENTS

1. Balance the tone arm and mounted cartridge according to turntable manufacturer's instructions. At balance brush and stylus tip should just clear the record. (See Figure 1.)
2. Apply desired tracking force PLUS one gram to compensate for weight of brush.
3. Stylus point is now in position and ready for operation (Figure 2.). REMEMBER: When reading tracking force scale, you are actually tracking at one gram LESS than indicated due to the one gram added to compensate for the brush weight.
4. Set anti-skate control to same number as tracking force setting.



STYLUS PROTECTIVE COVER

Your cartridge is supplied with a protective cover over the stylus. To remove, pull gently down on the two side ears. The stylus cover can be replaced, when desired by placing the front lip over the stylus guard and pressing the ears gently onto the carriage body.



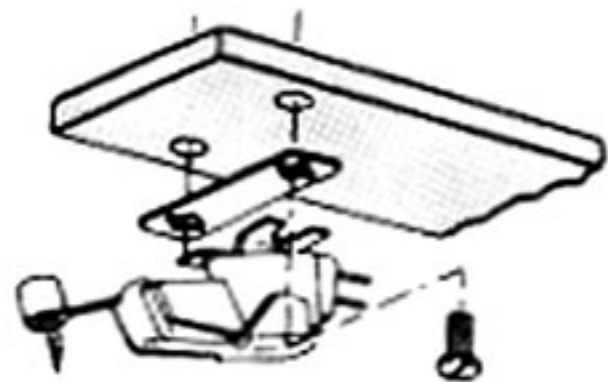
CARTRIDGE MOUNTING WITH SCREWS

Select from the hardware kit the two screws and the plastic screwholder you will need to mount the cartridge. Check the record player manufacturer's instructions to help you in your selection. The kit with this cartridge contains the following:

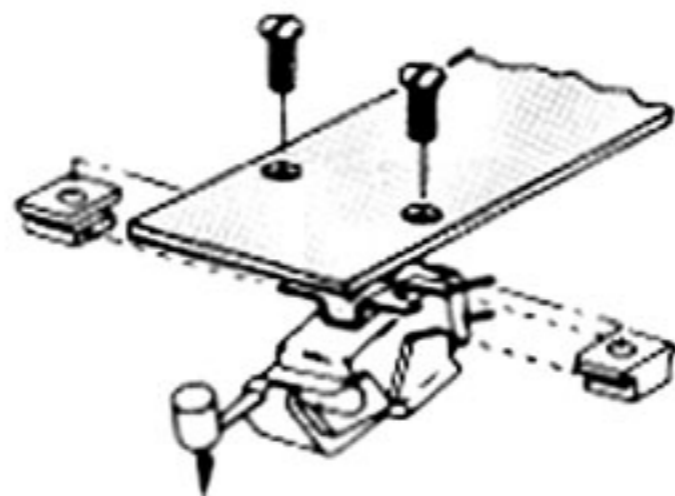
- 2 short brass screws (#3-48 x 3/16")
- 2 small chrome screws (#2-56 x 1/4")
- Two different plastic screw holders—
BLUE and BLACK (Pair)

If the tone arm requires the cartridge to be mounted by screws from *underneath*, screwing into threaded holes in the tone arm, then use the BLUE plastic piece. You will probably need to use the 3-48 brass screws.

Choose the BLUE piece in tone arm heads requiring no spacing between cartridge bracket and mounting surface. Simply insert the required screws into holes in the plastic with the cartridge bracket between screw heads and plastic. This allows easy holding and positioning of screws while tightening.



If your tone arm requires cartridges to be mounted by screws from *the top*, use the two (2) BLACK pieces and the 2-56 chrome screws:



Simply slip the pieces onto the wings of the cartridge and insert the screws from above the tone arm head. The screws will form their own threads in the plastic so that no nuts are necessary.

When tightening the screws, never tighten one all the way with the other still loose. Always alternate a few turns at a time as the cartridge begins to tighten into position. Before the cartridge is finally tightened, check the turntable manufacturer's instructions to insure the cartridge is in the correct position.

This cartridge is covered by the following U.S. Patents: 3,146,319; 3,297,831; 3,572,725, as well as corresponding patents or pending applications in the leading industrial nations throughout the world.

Only PICKERING AND COMPANY, INC. manufactures the genuine V-GUARD™ stylus assemblies used in stereo FLUX-VALVE™ cartridge.

FULL ONE YEAR WARRANTY

Pickering & Company, Inc., of 101 Sunnyside Blvd., Plainview, New York 11803, hereby warrants to the owner of this cartridge that the cartridge and stylus originally purchased in the United States with this warranty shall be free from defects in material and workmanship for a period of one year from the date of original purchase. Proof of date of original purchase must be retained by you. In the event of any defect covered by this warranty, the cartridge should be carefully packed and sent prepaid with proof of date of original purchase to Pickering & Company, Inc. at the above address and the cartridge will then be repaired or replaced without charge and promptly returned to you prepaid. If it cannot be repaired, or replaced in a reasonable period of time, you may elect to receive a product of equal value, or a refund.

Consequential damages are excluded from this warranty. The warranty shall not extend to stylus wear nor to damage resulting from abuse or misuse of the cartridge or stylus.

Some states do not allow the exclusion or limitation of incidental or consequential damages, so the above limitation or exclusion may not apply to you.

This warranty gives you specific legal rights, and you may also have other rights which vary from state to state.

This warranty applies to products purchased by the consumer in the United States. **PICKERING & COMPANY, INC.**

Sunnyside Boulevard
Plainview, New York 11803