

YOUR NEW CARTRIDGE

The Pickering TLZ/7500 MKII's Cartridge was designed to be used in stereo systems which have high gain, low impedance MC inputs or use external head amps with input impedance of 100 ohms or higher. It is a moving magnet pickup system with low impedance coils allowing the use of long cables between the turntable and the preamp. The frequency response extends to beyond 50 KHz. The low frequency tracking is superb along with excellent high frequency tracing ability. THE STEREOHEDRON II™ STYLUS is shaped to provide an enlarged record groove contact area, while providing the ability to accurately trace the high frequency, high level modulations of today's records. The Stereohedron II™ stylus provides superior performance with low stylus and record wear for your records.

SOME IMPORTANT FEATURES OF THIS CARTRIDGE

DUSTAMATIC™ BRUSH — A patented feature of Pickering Cartridges is the inclusion of a brush assembly that helps keep the record grooves clean. It does not in any way detract from the overall performance since the brush assembly is independently suspended from the cartridge. The brush is located off-center to allow it to clean the record grooves ahead of the stylus. (Useable for 1/2" mounting applications only).

V-GUARD™ PROTECTION — The stylus assembly on your cartridge has molded into it a precisely shaped opening which we call a "V-Guard™", into which the stylus recedes in the event of excessive downward or sideways pressure. But nothing can make up for carelessness... always treat your records and cartridge with the respect any precision instrument deserves.

REPLACEABLE STYLUS — The patented stylus assembly is removable. Simply grasp between the tips of the thumb and forefinger. Pull gently to remove the stylus assembly. Although the stylus assembly is sturdily constructed, please handle it carefully when removing and replacing it.

RECORD CARE — To insure proper cleaning of your records, the use of Pickering Record Cleaner Kit with RC₄ PLUS™ is recommended.

STYLUS TIP CARE — Dust will inevitably accumulate on the stylus tip even under the cleanest conditions. It can be removed by a gentle brushing forward with a camel's hair, or similar brush, such as supplied in the Pickering Stylus Cleaner Kit, SC4™.

Damaged or worn styli can do irreparable harm to your record collection. Check your stylus after every 250 hours of record playing time, and replace it when worn to protect your records. Always insist upon a genuine Pickering replacement (imprinted with the Pickering Logo)-an imitation will significantly reduce performance and increase record wear.

SPECIFICATIONS

STYLUS DESCRIPTION:	Nude Stereohedron II®
	Contact radii: .003"
	Scanning radii: .0002"
TRACKING FORCE:	¾ to 1½ grams
FREQUENCY RESPONSE:	10 Hz to 50 KHz +
NOMINAL OUTPUT:	0.33 mV
CHANNEL BALANCE:	within 1 dB at 1KHz
CHANNEL SEPARATION:	35 db @ 1 kHz
INDUCTANCE EACH CHANNEL:	1.0 mH
D.C. RESISTANCE EACH CHANNEL:	3.0 ohms
STEREO LOAD RESISTANCE:	100 ohms or greater
STEREO LOAD CAPACITANCE:	up to 1000 pF.
REPLACEMENT STYLUS:	D7500 Mk II's
CARTRIDGE WEIGHT:	5.9 grams

Note: 1. Recommended for optimum performance.

FULL ONE YEAR WARRANTY

Pickering & Company, Inc. of 101 Sunnyside Blvd., Plainview, New York 11803, hereby warrants to the owner of this cartridge that the cartridge and stylus originally purchased in the United States with this warranty shall be free from defects in the material and workmanship for a period of one year from the date of original purchase. Proof of date of original purchase must be retained by you. In the event of any defect covered by this warranty, the cartridge should be carefully packed and sent prepaid with proof of date of original purchase to Pickering & Company at the above address and the cartridge will then be repaired or replaced without charge and promptly returned to you prepaid. If it cannot be repaired or replaced in a reasonable period of time, you may elect to receive a product of equal value, or a refund.

Consequential damages are excluded from this warranty. The warranty shall not extend to stylus wear nor to damage resulting from abuse or misuse of the cartridge or stylus.

Some states do not allow the exclusion or limitation of incidental or consequential damages, so the above limitation or exclusion may not apply to you. This warranty gives you specific legal rights and you may also have other rights which vary from state to state.

This warranty applies to all products purchased by the consumer in the United States.

INSTRUCTION MANUAL

PICKERING

LOW IMPEDANCE

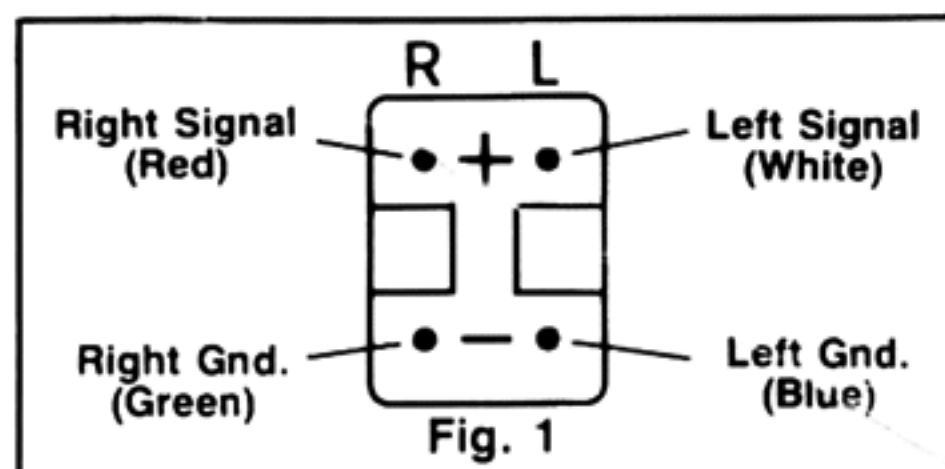
TLZ/7500 MKII'S



Follow these steps to setup your cartridge

STEREO CONNECTIONS

1. Your turntable arm or head has four lead wires within the cartridge connector. These have been properly connected at the factory to mate with your new Pickering Plug In Cartridge. (See Fig. 1)



NOTE: a) Do not bend or damage cartridge pins before or during installation procedure. Do not use solder on cartridge pins.

b) Cartridge is internally grounded thru the right channel ground pin.

c) ground turntable mechanism with a separate wire to a suitable ground point.

CARTRIDGE INSTALLATION LINEAR TRACKING TONE ARM

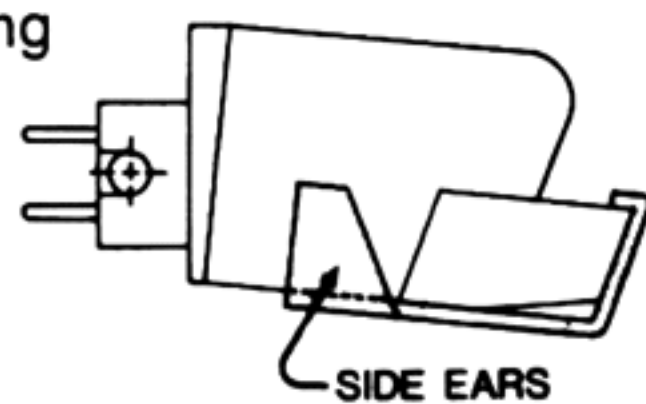
1. Loosen the cartridge set screw located in the tone arm and pull out. Remove existing cartridge if necessary.
2. Install your new Pickering Plug In Cartridge by aligning carefully the pins of the cartridge with the tone arm connectors. Press in gently until the cartridge is seated completely into the tone arm.
3. Replace and tighten cartridge set screw. (See turntable instructions.)
4. Remove stylus protective cover.
5. Insure tracking force is set correctly for cartridge. (See turntable instructions.) Records with extremely high recorded levels or high external vibration conditions may require tracking force to be set to maximum value.

NOTE: The **Dustamatic™ Brush** should not be used for P-Mount Tone Arm applications.

This cartridge is designed to fit correctly with any tone arm or turntable.

STYLUS PROTECTIVE COVER

Your cartridge is supplied with a protective cover over the stylus. To remove, pull gently down on the two side ears. The stylus cover can be replaced, when desired, by placing the front lip over the stylus guard and pressing the ears gently onto the carriage body.



CARTRIDGE INSTALLATION OTHER APPLICATIONS

Pivoted Tone Arms:

1. Loosen cartridge set screw and pull out. Remove existing cartridge if required.
2. Install your new Pickering Plug In Cartridge by aligning carefully the pins of the cartridge with the tone arm connectors. Press in gently until the cartridge is seated completely into the tone arm.
3. Replace and tighten tone arm set screw. (See turntable instructions.)
4. Remove stylus protective cover.
5. Balance the tone arm according to turntable instructions. At balance the stylus tip should just clear the record.
6. Set correct stylus tracking force.
7. Set Anti-skate control to same number as tracking force setting.

Your new "P-Mount" cartridge is supplied with a convenient adaptor to allow it to be mounted into tone arms and headshells using conventional 1/2" mounting centers. Follow these simple mounting instructions:

- 1) Remove stylus from cartridge body and set aside carefully.
- 2) Remove cartridge set screw and nut located in hardware package.
- 3) Install cartridge body into black plastic mounting adaptor and secure with cartridge set screw and nut. Be sure cartridge body is located into bracket properly.

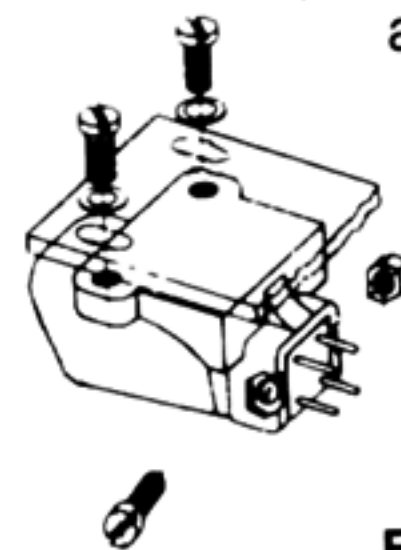


Fig. 2

- 4) Install cartridge and mounting bracket assembly into tone arm or headshell using 2 screws and 2 plastic washers provided. (See Fig. 2) Some special applications may require special hardware as provided with your tone arm or headshell. Follow manufacturer's instructions.
- 5) Connect tone arm or headshell leads to terminals. Follow lead color identification on terminals.
- 6) Install stylus assembly into cartridge body.
- 7) Install headshell into tone arm (if required).
- 8) Balance tone arm per manufacturer's instructions.
- 9) Set correct stylus tracking force as directed in the cartridge instructions.
- 10) Set antiskate force to same value as tracking force setting.



"for those who can hear the difference"
PICKERING & COMPANY, INC.

Sunnyside Boulevard
Plainview, New York 11803

TLZ Series

PATENTS 7502-9361-01

The TLZ cartridge is covered by the following U.S. Patents: 3,297,831; 3,572,725; 3,846,592; 3,871,664; as well as corresponding patents or pending applications in the leading industrial nations throughout the world. Only PICKERING AND COMPANY, INC. manufactures the genuine V-Guard™ stylus assemblies used in the TLZ cartridge.

Made in U.S.A. Printed U.S.A.