

# JA-R2S JA-R1A

The JA-R2S and JA-R1A mobile audio rack systems are designed to conform to EIA standards. Refer to this guide for the assembly procedure for both systems. Although the EIA standard unit number for both systems (JA-R2S: 21U; JA-R1A: 18U) and the dimensional height of the two systems differ, the assembly procedure and the applications are the same for both systems.

## APPLICATIONS

- This rack is designed to meet EIA (Electronic Industries Association) standards and so you can easily mount any audio components with panels conforming to these standards. With the JA-R2S, you can use the accessory blank panels to bridge the gaps between the audio components mounted in the rack for an overall visually pleasing and harmonious finish. (These panels do not come with the JA-R1A).
- You can also mount audio components with panels which do not conform to EIA standards if you use the rack-mounting adaptors JA-R101 and JA-R102 a separate buy.
- The rack is equipped with casters which are very useful when replacing the connecting cords or moving the components around inside the listen-

ing room. The casters have a lock mechanism and so the rack can be positioned stably in one location.

## BEFORE ASSEMBLY

- Handle the rack parts carefully because they are quite heavy and you might do yourself an injury if you drop any of them. Be sure to lay a carpet or blanket under the rack so as to protect the floor.
- Equip yourself with an ordinary screwdriver and a Phillips screwdriver (large-size).
- Check out the parts by referring to the parts figures and then start assembling the rack according to the assembly procedure.

### Accessory tool

ROUND CLAMP WRENCH



### Tools provided by assembler

PHILLIPS SCREWDRIVER (LARGE-SIZE)



ORDINARY SCREWDRIVER (LARGE-SIZE)

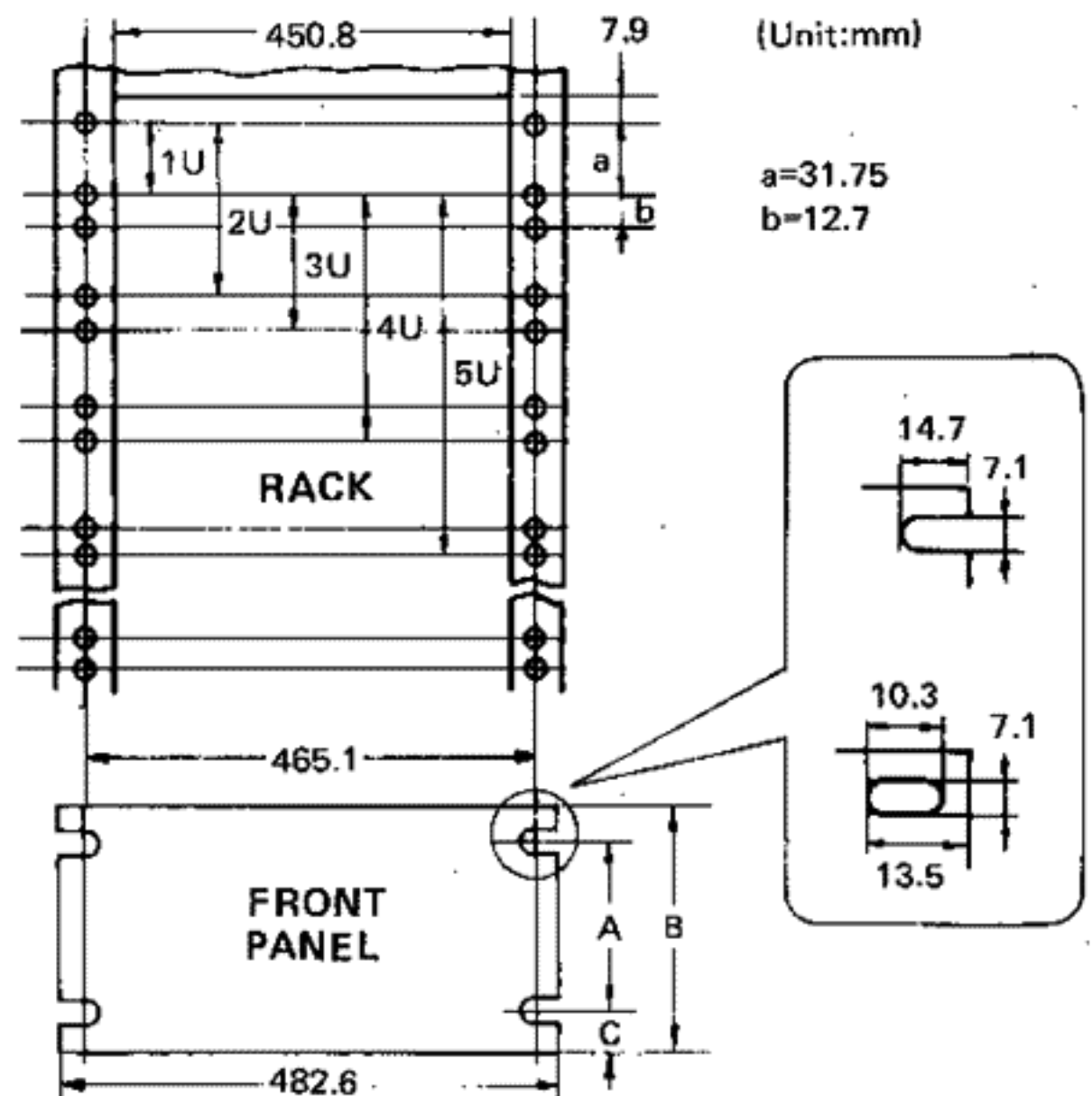


## EIA STANDARDS

EIA stands for Electronic Industries Association of America and its standards are recognized all over the world. As indicated in the figure, these standards set the dimensions, shape and size of the mounting sections of audio racks and of the front panels of audio components, test/measuring instruments and other equipment which are rack-mounted.

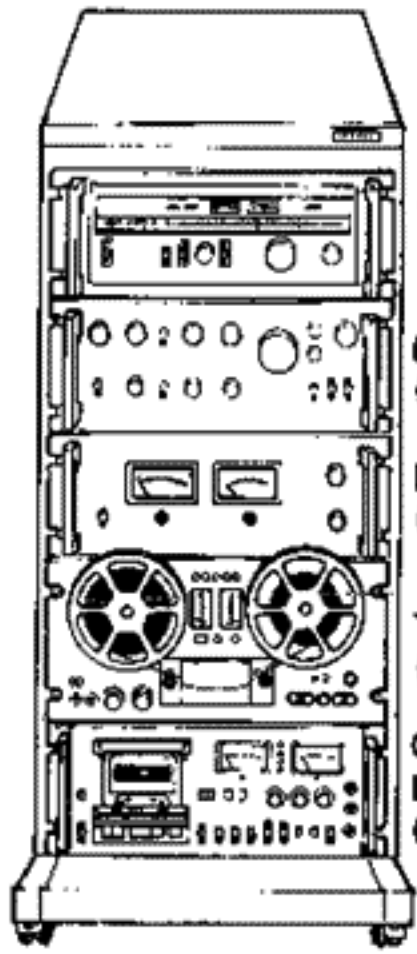
Front panel dimensions (Unit:mm)

nU	A	B	C
1U (a)	31.8	43.7	5.9
2U (2a + b)	76.2	88.1	5.9
3U (a + 2b)	57.1	132.6	37.7
4U (2a + 3b)	101.6	177	37.7
5U (3a + 4b)	146.1	221.5	37.7

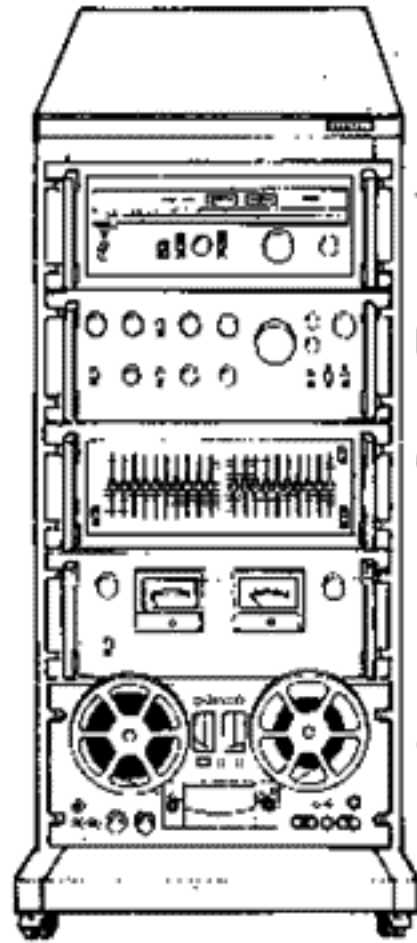


# COMBINATION ALTERNATIVES

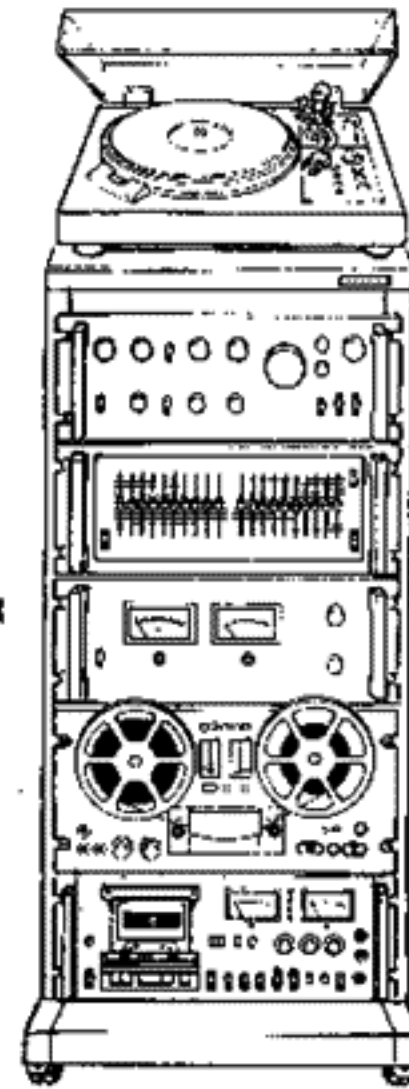
## Example of combination using JA-R2S



TUNER  
(TX-9500II)  
PRE AMPLIFIER  
(SPEC-1)  
POWER AMPLIFIER  
(SPEC-2)  
TAPE DECK  
(RT-707)  
CASSETTE TAPE  
DECK  
(CT-F1000)

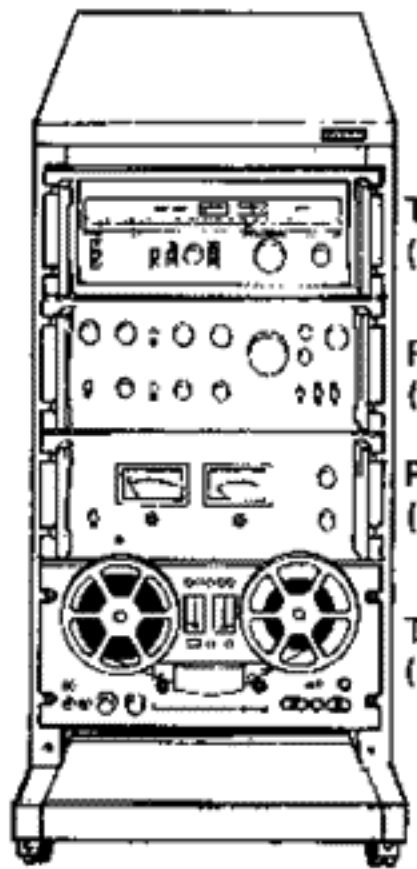


TUNER  
(TX-9500II)  
PRE AMPLIFIER  
(SPEC-1)  
GRAPHIC EQUALIZER  
(SG-9500)  
POWER AMPLIFIER  
(SPEC-4)  
TAPE DECK  
(RT-707)

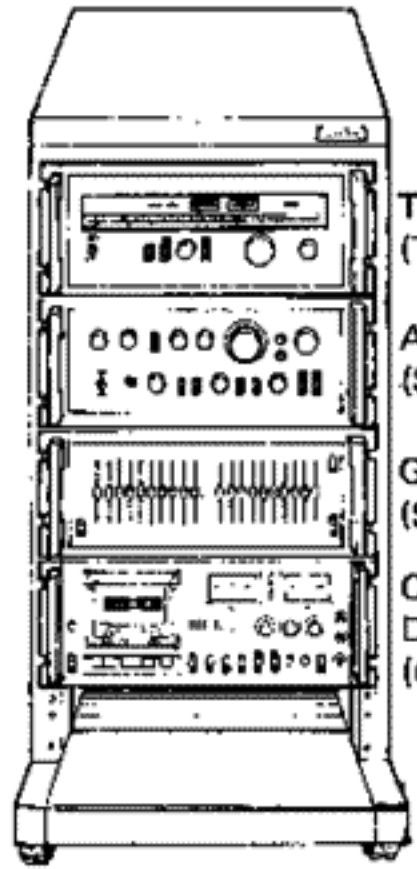


TURNTABLE  
(PL-570)  
PRE AMPLIFIER  
(SPEC-1)  
GRAPHIC EQUALIZER  
(SG-9500)  
POWER AMPLIFIER  
(SPEC-2)  
TAPE DECK  
(RT-707)  
CASSETTE TAPE  
DECK  
(CT-F1000)

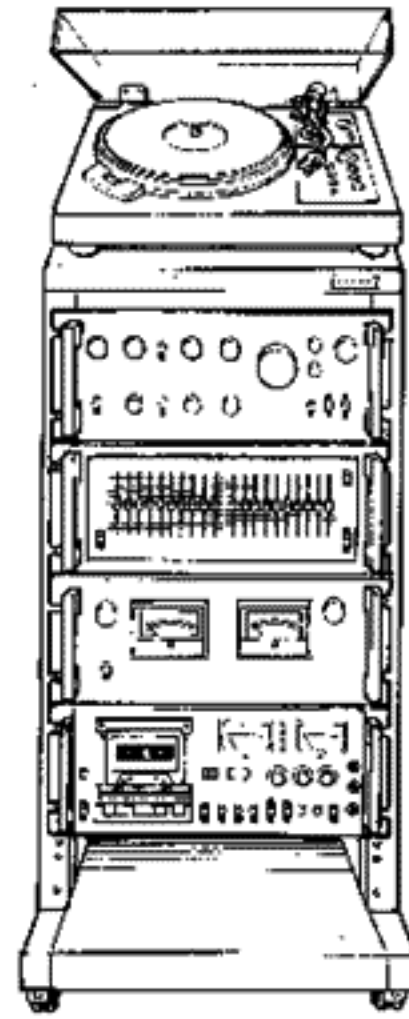
## Example of combination using JA-R1A



TUNER  
(TX-9500II)  
PRE AMPLIFIER  
(SPEC-1)  
POWER AMPLIFIER  
(SPEC-2)  
TAPE DECK  
(RT-707)



TUNER  
(TX-9500II)  
AMPLIFIER  
(SA-9500II)  
GRAPHIC EQUALIZER  
(SG-9500)  
CASSETTE TAPE  
DECK  
(CT-F1000)

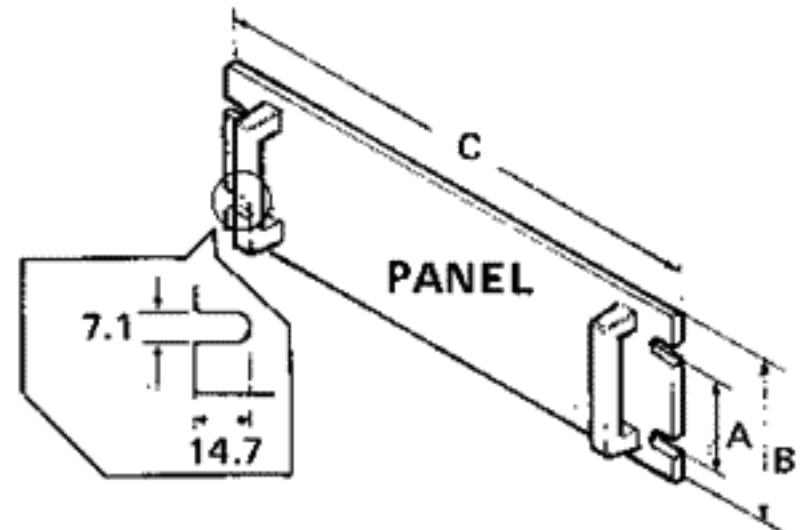


TURNTABLE  
(PL-570)  
PRE AMPLIFIER  
(SPEC-1)  
GRAPHIC EQUALIZER  
(SG-9500)  
POWER AMPLIFIER  
(SPEC-4)  
CASSETTE TAPE  
DECK  
(CT-F1000)

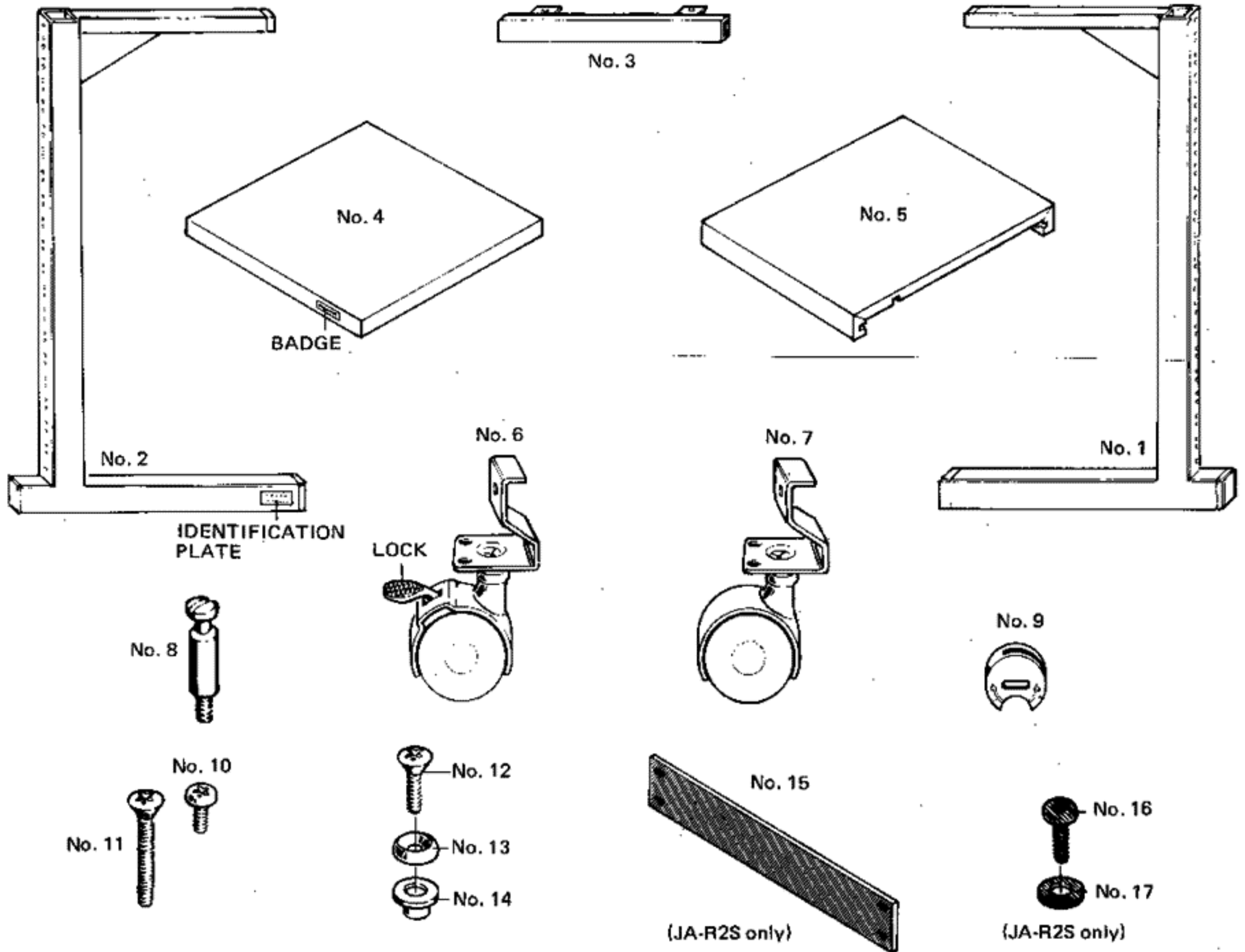
The SA-9500II, TX-9500II and SG-9500 are mounted with adaptor JA-R101 and the CT-F1000 with JA-R102 illustrated above.

## Panel dimensions of Pioneer components and rack-mounting adaptor (Unit:mm)

	A	B	C	nU
SPEC-1, SPEC-2 SPEC-4	101.6	177	480	4U
RT-707, RT-701	146	221.5	480	5U
JA-R101	101.6	177	480	4U
JA-R102 (With CT-F1000 rack-mounted)	101.6	177	480	4U



# PARTS FIGURES AND LIST



## Parts for assembly

## Parts for mounting

No.	Description	Q'ty	Assembly procedure	No.	Description	Q'ty
1	Side frame (L) . . . . .	1	: 3]	12	Screws (M5 x 16): for mounting (up to five components) . . . . .	20
2	Side frame (R): with identification plate . . . . .	1	: 1], 15]	13	Angular washers . . . . .	20
3	Center frame . . . . .	1	: 14	14	Washers . . . . .	20
4	Top panel: with badge . . . . .	1	: 16]	15	Blank panels . . . . .	2
5	Bottom panel . . . . .	1	: 13]	16	Black screws (M5 x 10). . . . .	8
6	Lockable casters (front feet) . . . . .	2	: 17]	17	Black washers . . . . .	8
7	Non-lock casters (back feet) . . . . .	2	: 11]			
8	Shafts . . . . .	8	: 12]			
9	Round clamps . . . . .	8	: 9], 14]			
10	Screws (M5 x 8) . . . . .	14	: 11], 16]			
11	Black screws (M5 x 30). . . . .	2	: 15]			
	Accessory tool : wrench for round fittings . . . . .	1	: 3], 14]			

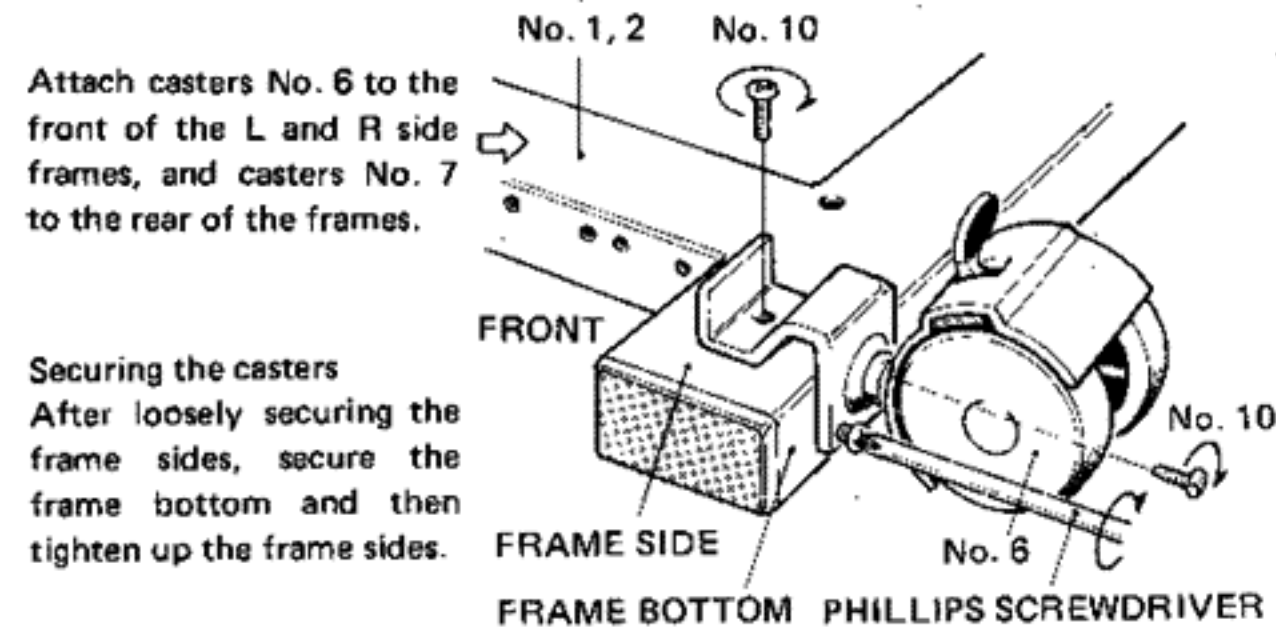
- Parts No. 15, 16 and 17 are not supplied with the JA-R1A.
- Parts No. 6, 7, 8, 9, 10, 11, 12, 13, 14, 16 and 17 as well as the wrench are in the box marked ASSEMBLY PARTS A.
- Parts No. 3 and 15 are in the box marked ASSEMBLY PARTS B.



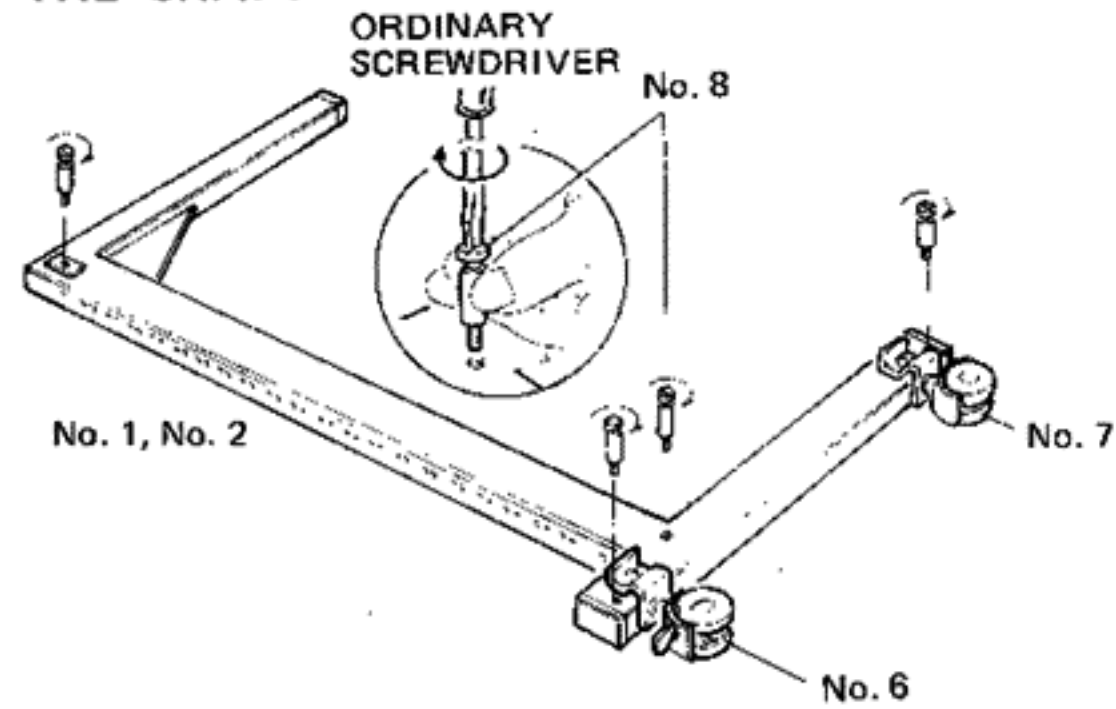
# ASSEMBLY PROCEDURE

The explanatory diagram here is based on the JA-R2S. Apart from the fact that only the lengths of the JA-R2S's side frames differ from those of the JA-R1A, the same is true for both racks.

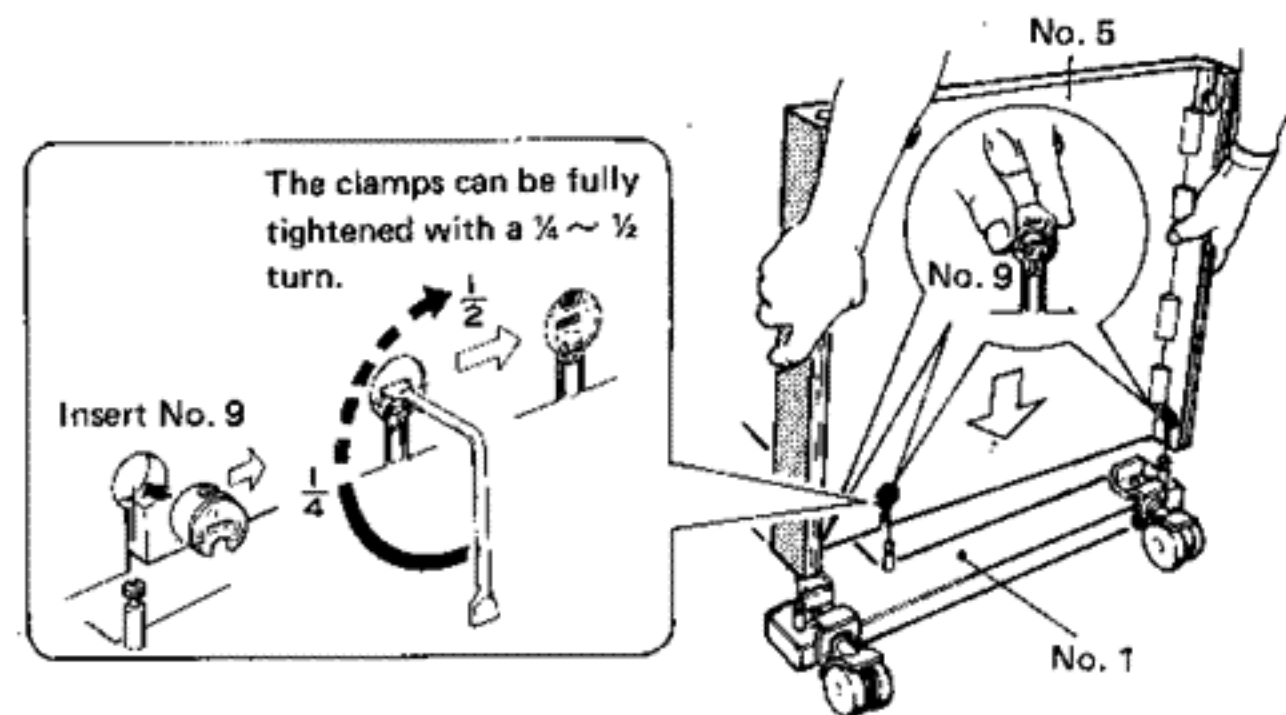
## 1 ATTACH THE CASTERS TO THE SIDE FRAMES (L, R)



## 2 ATTACH THE SIDE FRAMES (L, R) TO THE SHAFT



## 3 ATTACH SIDE FRAME (L) TO THE BOTTOM PANEL



- As in the figure, slip bottom panel No. 5 over the side frame (L) and insert round clamps No. 9 (3 units).
- Tighten up the round clamps with the accessory wrench.

ASSEMBLY FIGURE

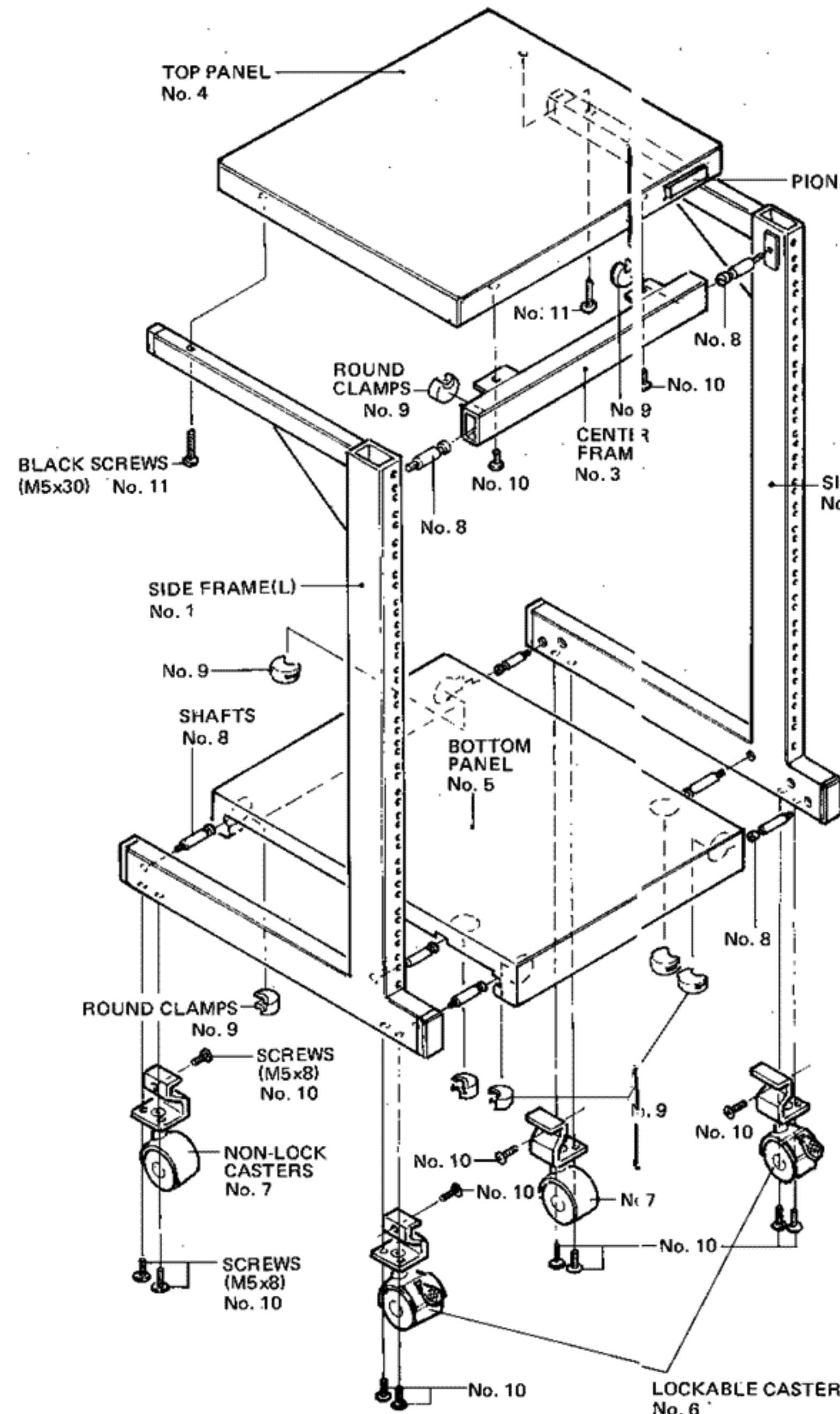
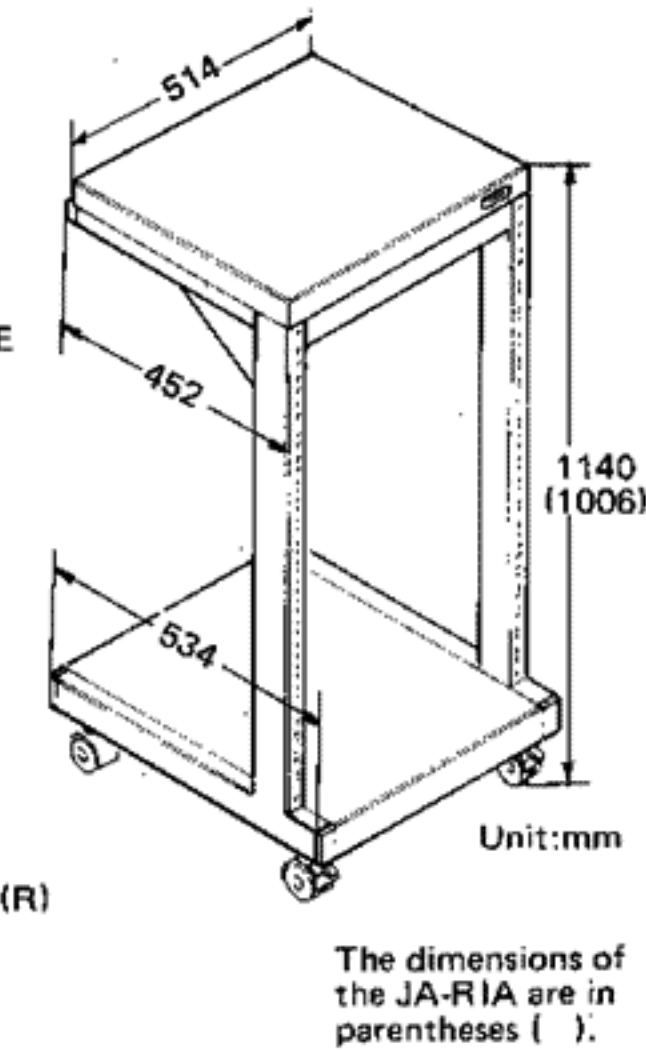
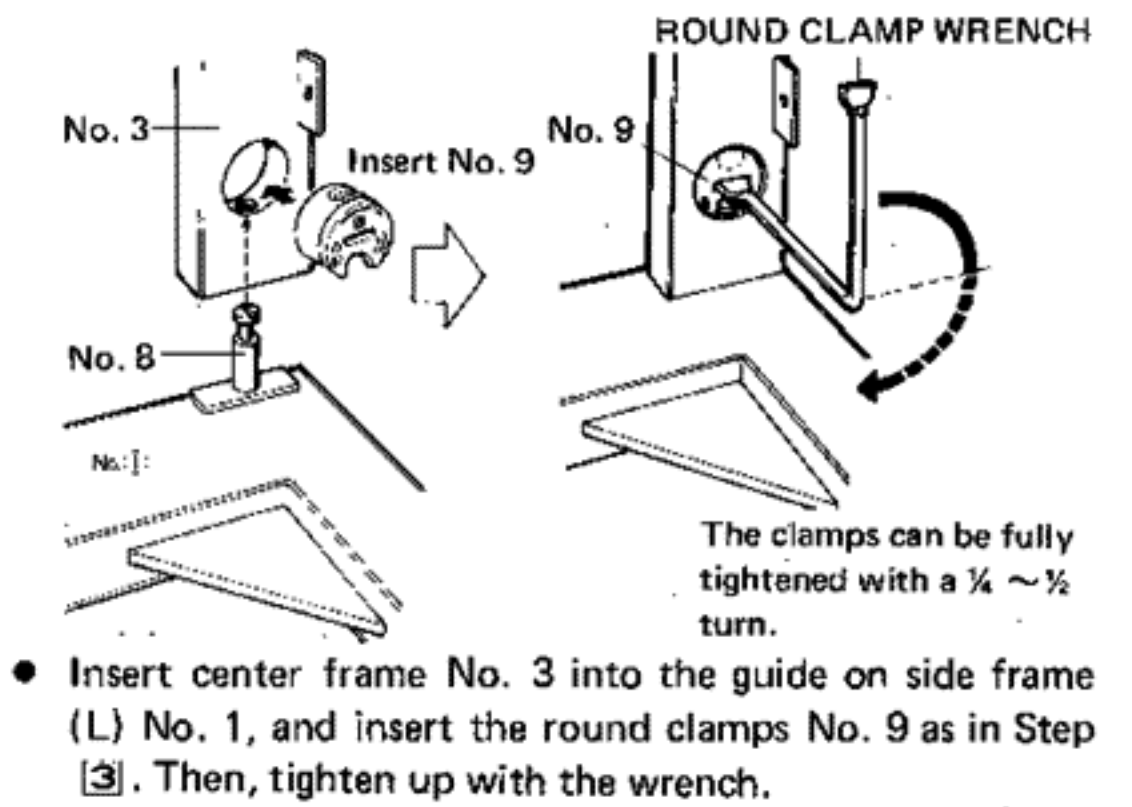


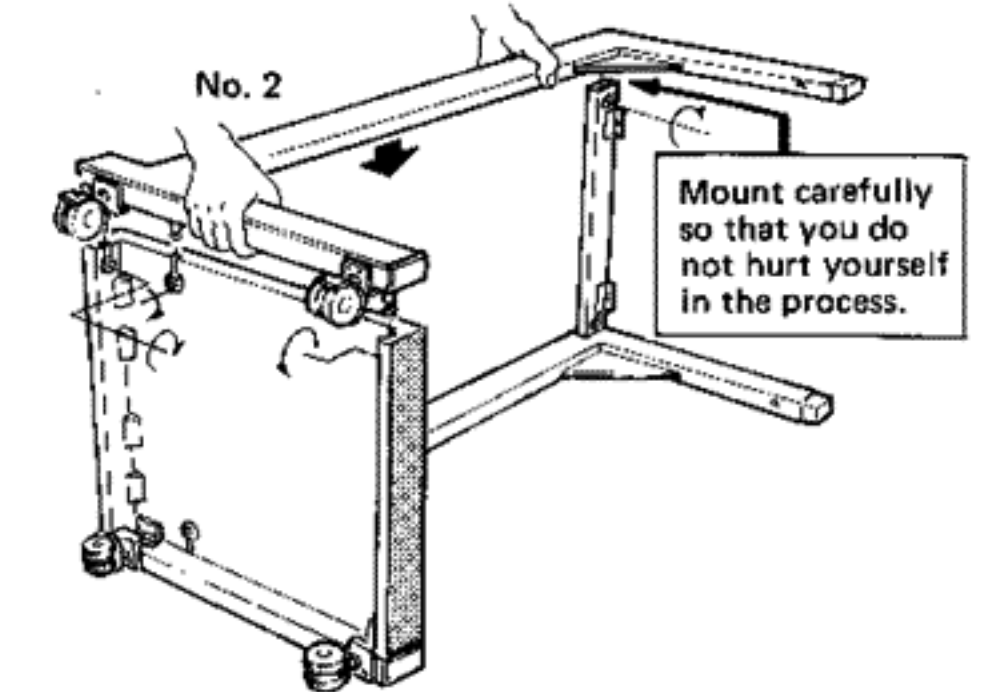
FIGURE OF FULLY ASSEMBLED RACK



## 4 ATTACH THE CENTER FRAME TO SIDE FRAME (L)

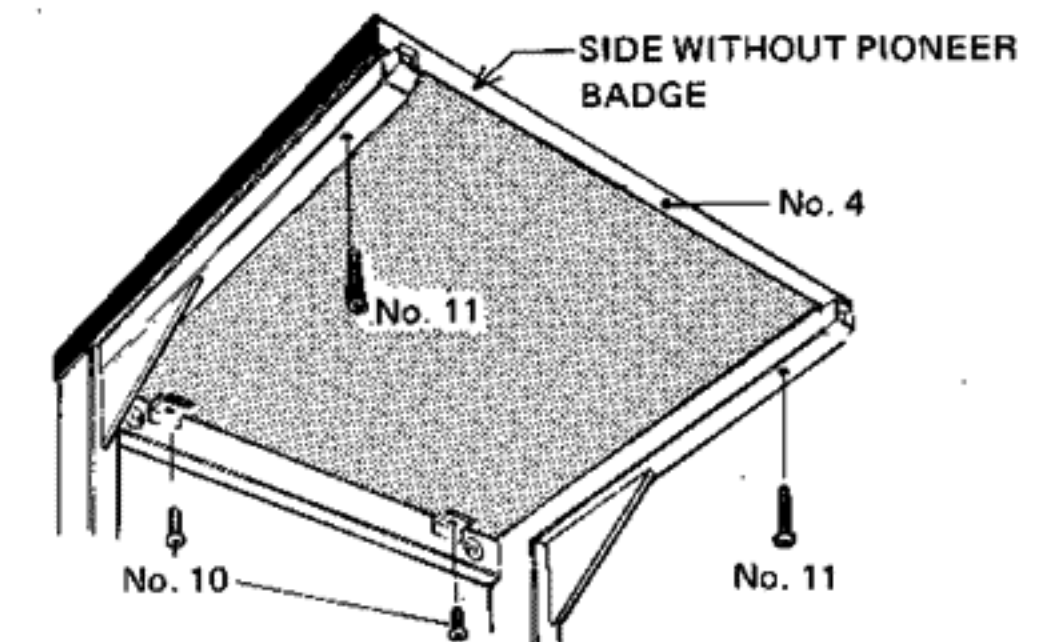


## 5 ATTACH THE SIDE FRAME (R)



- As in the figure, put side frame (R) No. 2 gently into place.
- As with Steps 3 and 4, insert the round clamps and tighten with the wrench.

## 6 ATTACH THE TOP PANEL



- Make sure that the Pioneer badge is on top of the top panel. Secure the panel loosely with two No. 10 and two No. 11 screws, and then tighten up after aligning the panel with the mounting position on the top panel.

# HOW TO MOUNT THE COMPONENTS

## MOUNTING THE AUDIO COMPONENTS

The mounting method of JA-R2S and JA-R1A is designed to conform to EIA standards and so you can mount any audio components (like the Pioneer SPEC-1, SPEC-2, SPEC-4, RT-707 and RT-701) in the rack which have panels that meet these standards.

Pioneer also offers audio components with panels that do not conform to EIA standards (like the Pioneer SA-9500II, D-23 and CT-F8080) but you can still mount them by using the JA-R101 and JA-R102 rack-mounting adaptors (refer to next page to section on 'JA-R101' 'JA-R102').

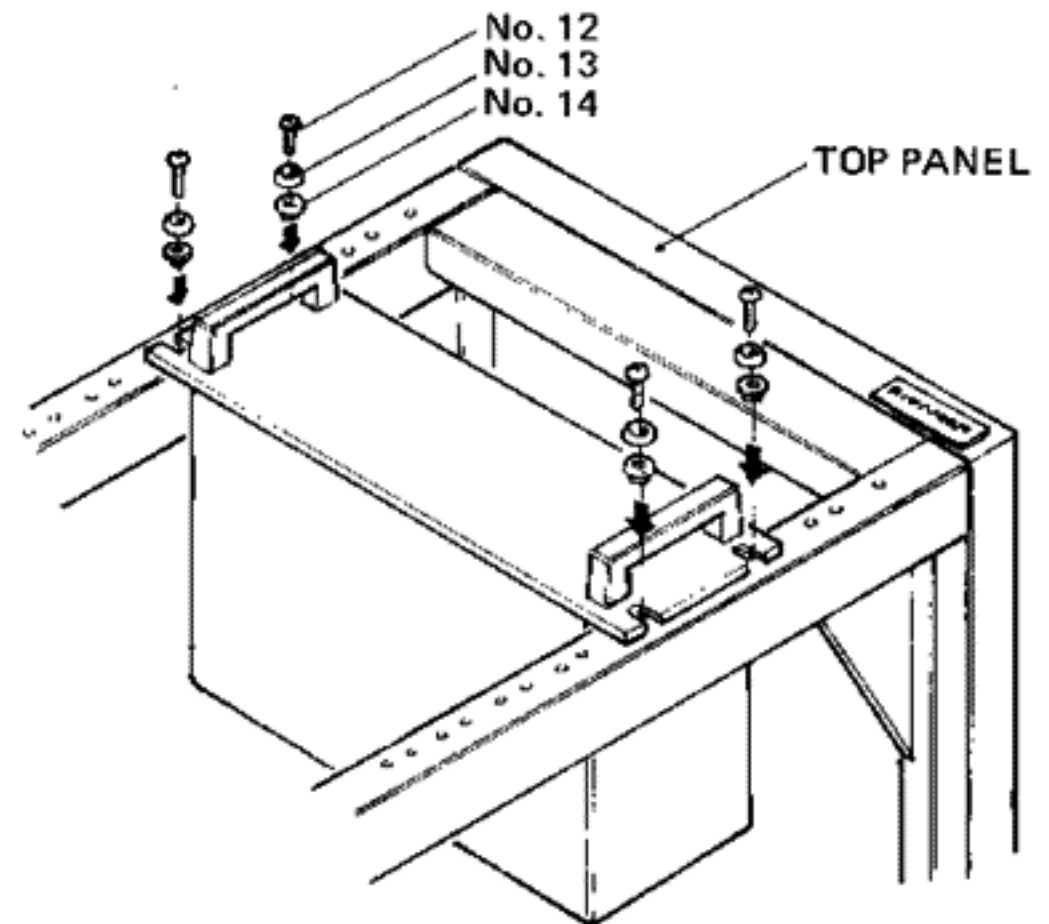
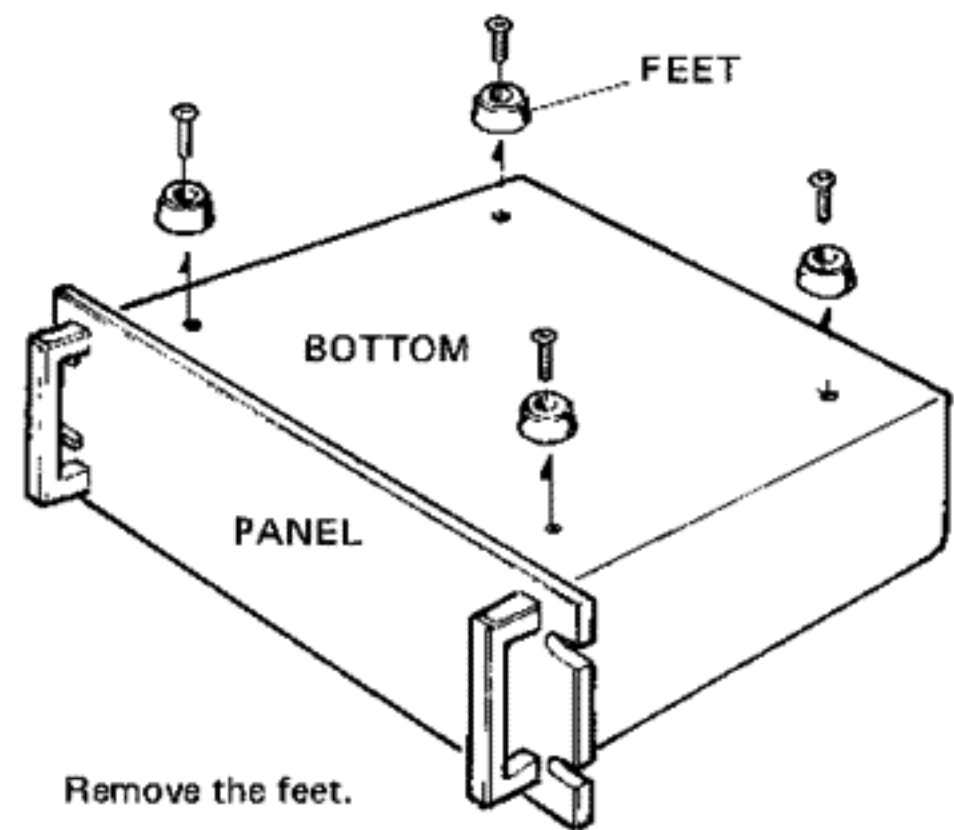
- When mounting audio components, install heavy models like a power amplifier at the bottom since they are easier to use at the bottom.
- Always leave gaps between the components when installing a power amplifier which generates a great deal of heat.

## MOUNTING PROCEDURE

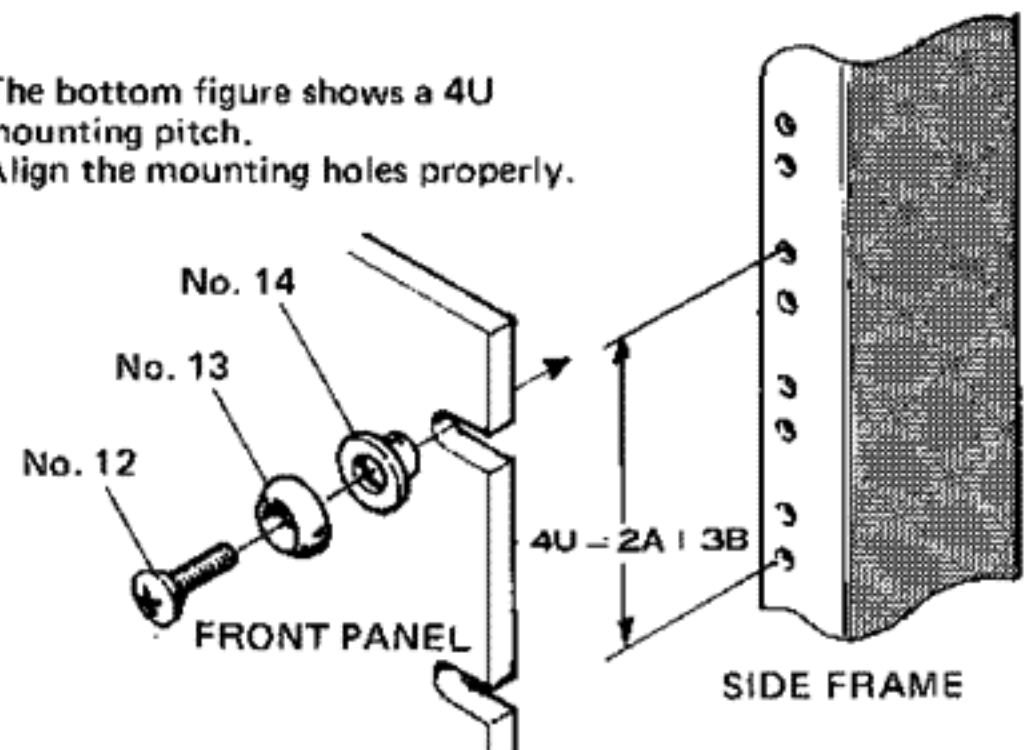
1. First, determine where you are going to install each of the audio components. Proceed to mount, starting with the top audio component.
2. Remove the feet (4) from the audio components, using the screwdriver (this is not necessary if you leave a gap between the components).
3. As in the figure, lay the rack on its side with the mounting side face upward.

*When mounting heavy audio components, don't attempt to do everything yourself, but get someone to help you.*

4. Align the mounting holes on the component panel with the screw holes on the rack, and slip the component down carefully into the rack.
5. Use the accessory No. 12 screws, No. 13 angular washers and the No. 14 washers (four for each component) and secure with a phillips screwdriver.



The bottom figure shows a 4U mounting pitch. Align the mounting holes properly.



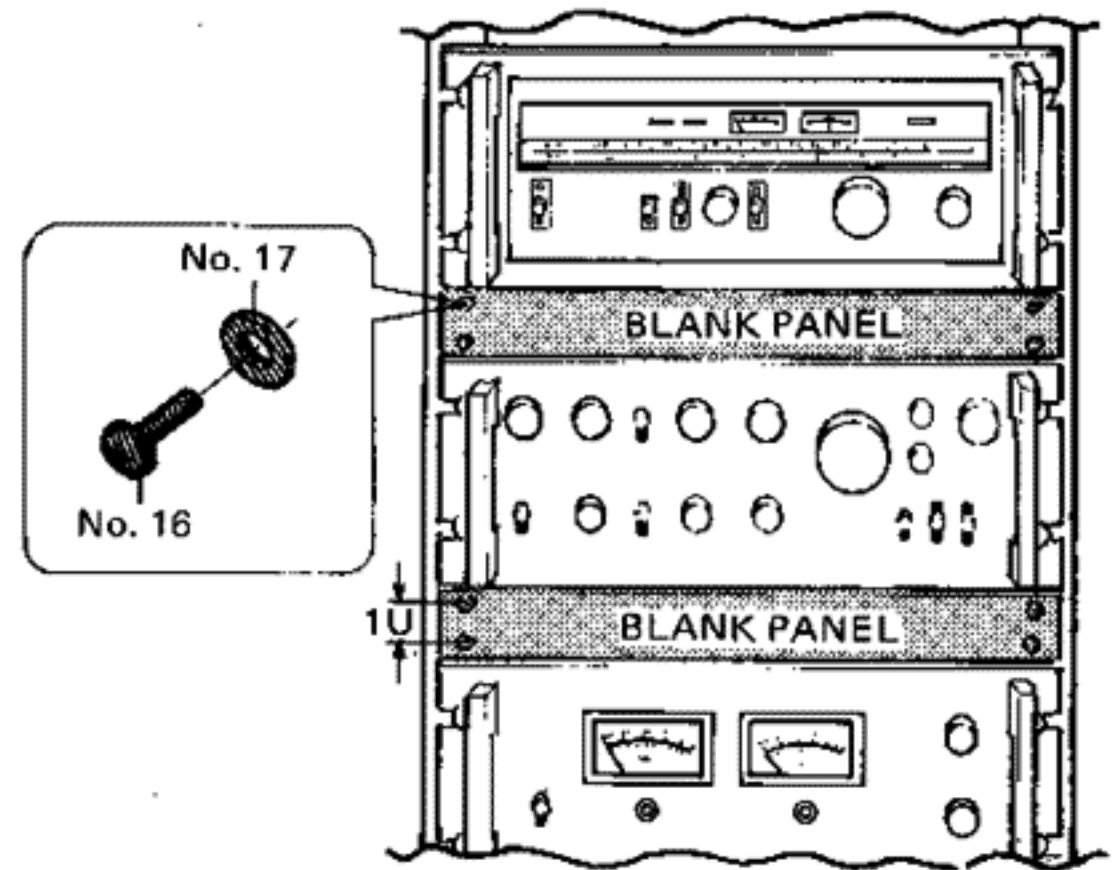


## BLANK PANELS

You can use these panels to bridge the gaps between the audio components mounted in the rack. Since the components will be very poorly ventilated if they are stacked immediately on top of one another, it is customary to leave gaps between them. These gaps should usually add up to the depth of one audio component.

When mounting these blank panels, use the JA-R2S's accessory mounting screws No. 16 and washers No. 17 (four of each are supplied with each blank panel) and secure them with a Phillips screwdriver.

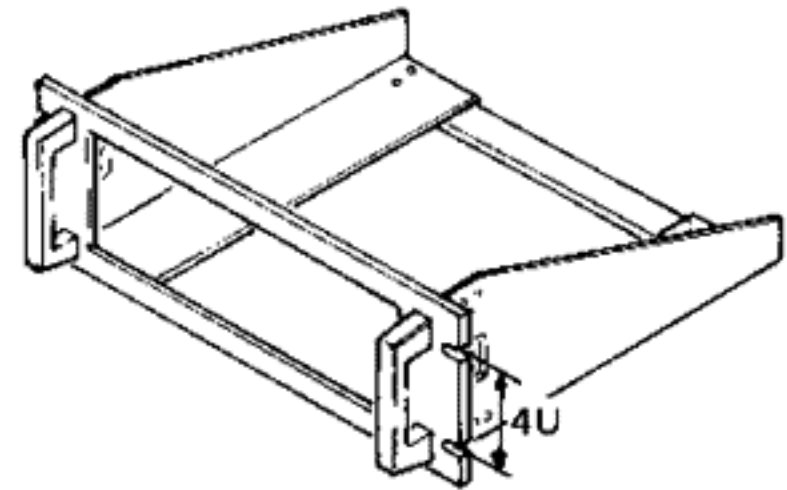
*The blank panels, mounting screws No. 16 and washers No. 17 do not come with the JA-R1A.*



## RACK-MOUNTING ADAPTOR JA-R101, JA-R102

### JA-R101 (EIA standard: 4U)

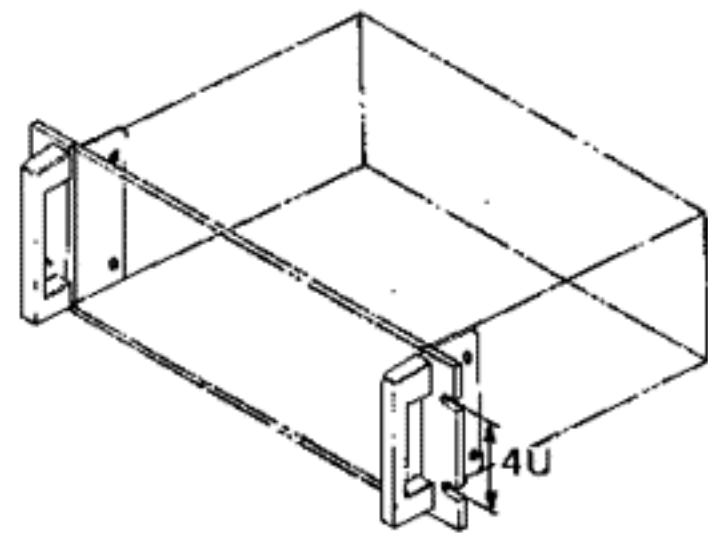
The JA-R101 is a rack-mounting adaptor, which you can buy separately, to use when mounting the Pioneer SA-9500II, SA-8500II, TX-9500II, TX-8500II, D-23, SG-9500, CT-F8080 and CT-F7070 audio components into the JA-R2S or JA-R1A audio rack. (Refer to section on 'Combination alternatives'). Please consult the assembly guide for the JA-R101 for advice on how to mount the JA-R101 adaptor on the audio components and also how to mount it into the audio rack.



### JA-R102 (EIA standard: 4U)

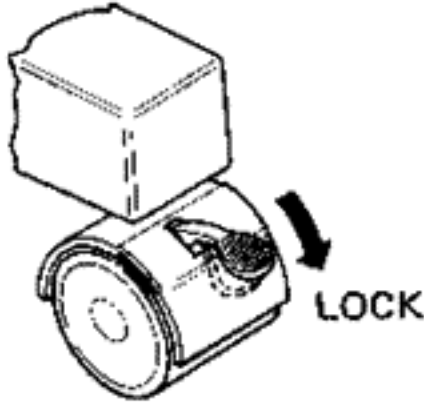
The JA-R102 is a rack-mounting adaptor, which you can buy separately, to use when mounting the Pioneer cassette tape deck (like the CT-F1000) into the JA-R2S or JA-R1A audio rack. (Refer to section on 'Combination alternatives').

Please consult the assembly guide for the JA-R102 for advice on how to mount the JA-R102 adaptor on the cassette tape deck and also how to mount it into the audio rack.



## INSTALLATION AND MOVING PRECAUTIONS

- Release the lock on the casters when you want to move the rack, and push the rack firmly, taking care to look ahead for obstacles. Do not take hold of the grips on the components' front panels and pull.
- When installing the rack, be sure to lock the casters.



## STACKING PRECAUTIONS

The JA-R2S or JA-R1A cannot be installed stably if the stacking weight limit is exceeded as follows:

- When the total weight of the JA-R2S or JA-R1A and its stacked components is over 150 kg (330 lb).
- When a component weighing more than 50 kg (110 lb) is placed on the top panel.
- When the weight of one of the components with a panel conforming to EIA standards weighs over 40 kg (88 lb).
- When the weight of one audio component employing the JA-R101 adaptor exceeds 40 kg (88 lb).

## MAINTENANCE

Do not use furniture wax or cleaner. Wipe off dust and dirt with a dry polishing cloth. Do not bring thinners, benzine, insecticides or other chemicals in contact with the rack and components since these substances will corrode the front panels.

## SPECIFICATIONS

### Material and surface finish

Top, bottom panel . . .	Particle boards with polyvinyl chloride finish
Frame . . . . .	Iron piping with pearly gray painted finish

### External dimensions

JA-R2S . . . . .	514(W) x 1140(H) x 534(D)mm 20-5/16(W) x 44-7/8(H) x 21(D)in
JA-R1A . . . . .	514(W) x 1006(H) x 534(D)mm 20-5/16(W) x 39-5/8(H) x 21(D)in

### Weight

JA-R2S . . . . .	18.5 kg/40 lb 11 oz
JA-R1A . . . . .	18 kg/39 lb 10 oz

### NOTE

*Specifications and the design subject to possible modification without notice due to improvements.*