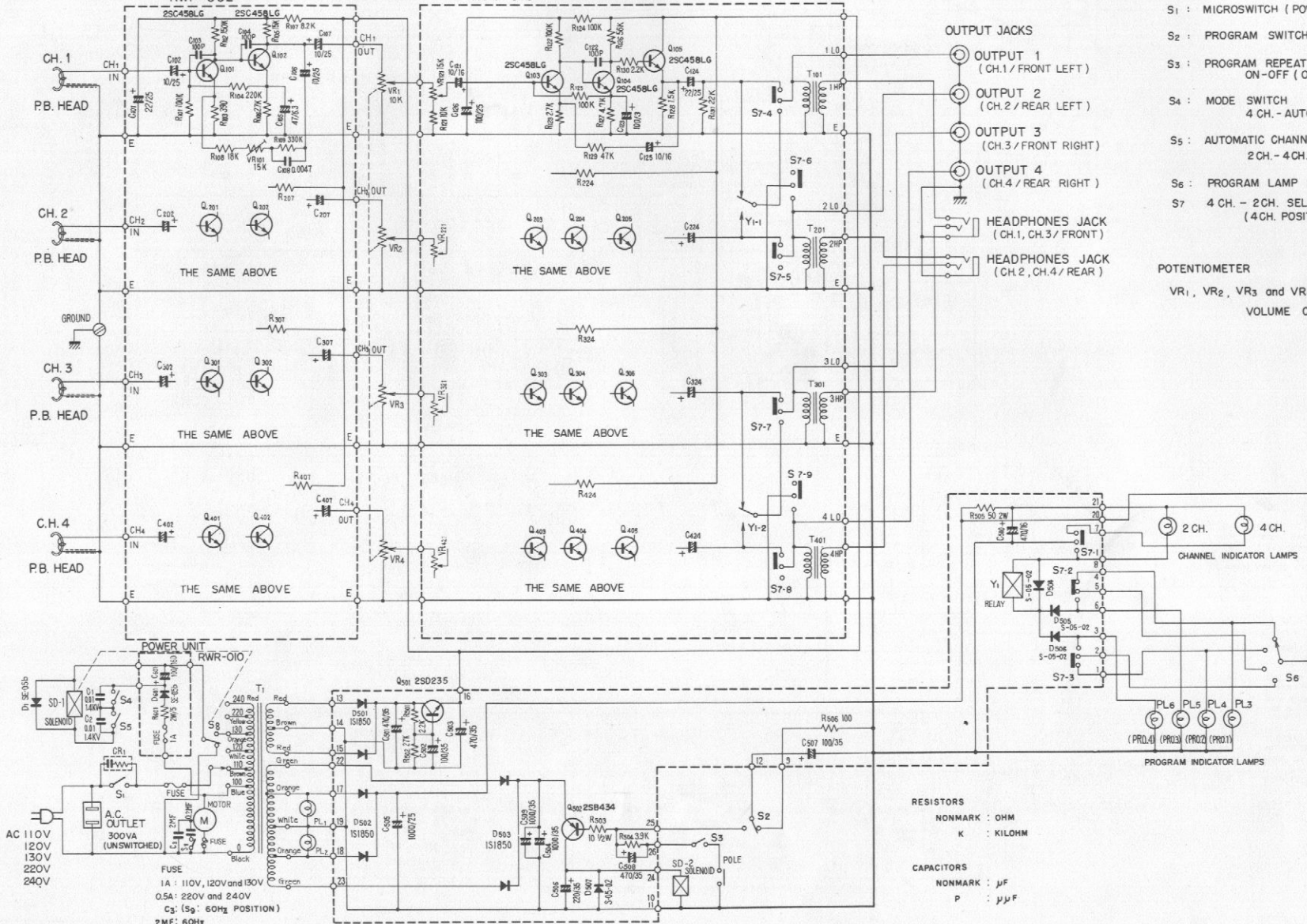


PRE-AMP UNIT  
RWF-002

CONTROL PRINT UNIT  
RWG-010



SWITCHES

- S1 : MICROSWITCH (POWER SWITCH)
- S2 : PROGRAM SWITCH
- S3 : PROGRAM REPEAT SWITCH ON-OFF (ON POSITION)
- S4 : MODE SWITCH 4 CH. - AUTO (4 CH. POSITION)
- S5 : AUTOMATIC CHANNEL SELECTOR 2 CH. - 4 CH. (4 CH. POSITION)
- S6 : PROGRAM LAMP SWITCH
- S7 4 CH. - 2 CH. SELECTOR (4 CH. POSITION / INTERLOCK WITH SD-1)

POTENTIOMETER

- VR1, VR2, VR3 and VR4
- VOLUME CONTROL

RESISTORS

NONMARK : OHM  
K : KILOHM

CAPACITORS

NONMARK :  $\mu$ F  
P :  $\mu$ PF