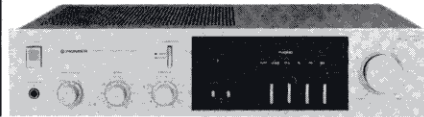


# Service Manual

**REPAIR & ADJUSTMENTS**



**ORDER NO.  
ART-643-0**

**STEREO AMPLIFIER**

# SA-520

**MODEL SA-520 COMES IN SIX VERSIONS DISTINGUISHED AS FOLLOWS:**

Type	Voltage	Remarks
KU	120V only	U.S.A. model
S	110V, 120V, 220V and 240V (Switchable)	General export model
S/G	110V, 120V, 220V and 240V (Switchable)	U.S. Military model
YP	240V only	Australia model
HE	220V and 240V (Switchable)	Europe model
HB	220V and 240V (Switchable)	United Kingdom model

- This service manual is applicable to the KU type (pp1 – 18), YP type (pp21 – 26) and S, S/G types (pp27 – 32). When repairing the HE, HB types, please see the additional service manual (ART-644).
- For the circuit description, please refer to the supplement of model SA-720 service manual (ART-765).
- Ce manuel d'instruction se réfère au mode de réglage, en français.
- Este manual de servicio trata del método de ajuste escrito en español.

## CONTENTS

1. SPECIFICATIONS .....	2	8. ELECTRICAL PARTS LIST .....	13
2. FRONT PANEL FACILITIES .....	3	9. PACKING .....	15
3. BLOCK DIAGRAM .....	4	10. ADJUSTMENTS .....	16
4. PARTS LOCATION .....	5	RÉGLAGE .....	17
5. EXPLODED VIEWS .....	6	AJUSTE .....	18
6. P.C. BOARDS CONNECTION DIAGRAM .....	8	ADDITIONAL SERVICE MANUAL FOR YP, S AND S/G TYPES .....	19
7. SCHEMATIC DIAGRAM .....	11		

# Service Manual

**REPAIR & ADJUSTMENTS**



**ORDER NO.  
ART-643-0**

**STEREO AMPLIFIER**

# SA-520

MODEL SA-520 COMES IN SIX VERSIONS DISTINGUISHED AS FOLLOWS:

Type	Voltage	Remarks
KU	120V only	U.S.A. model
S	110V, 120V, 220V and 240V (Switchable)	General export model
S/G	110V, 120V, 220V and 240V (Switchable)	U.S. Military model
YP	240V only	Australia model
HE	220V and 240V (Switchable)	Europe model
HB	220V and 240V (Switchable)	United Kingdom model

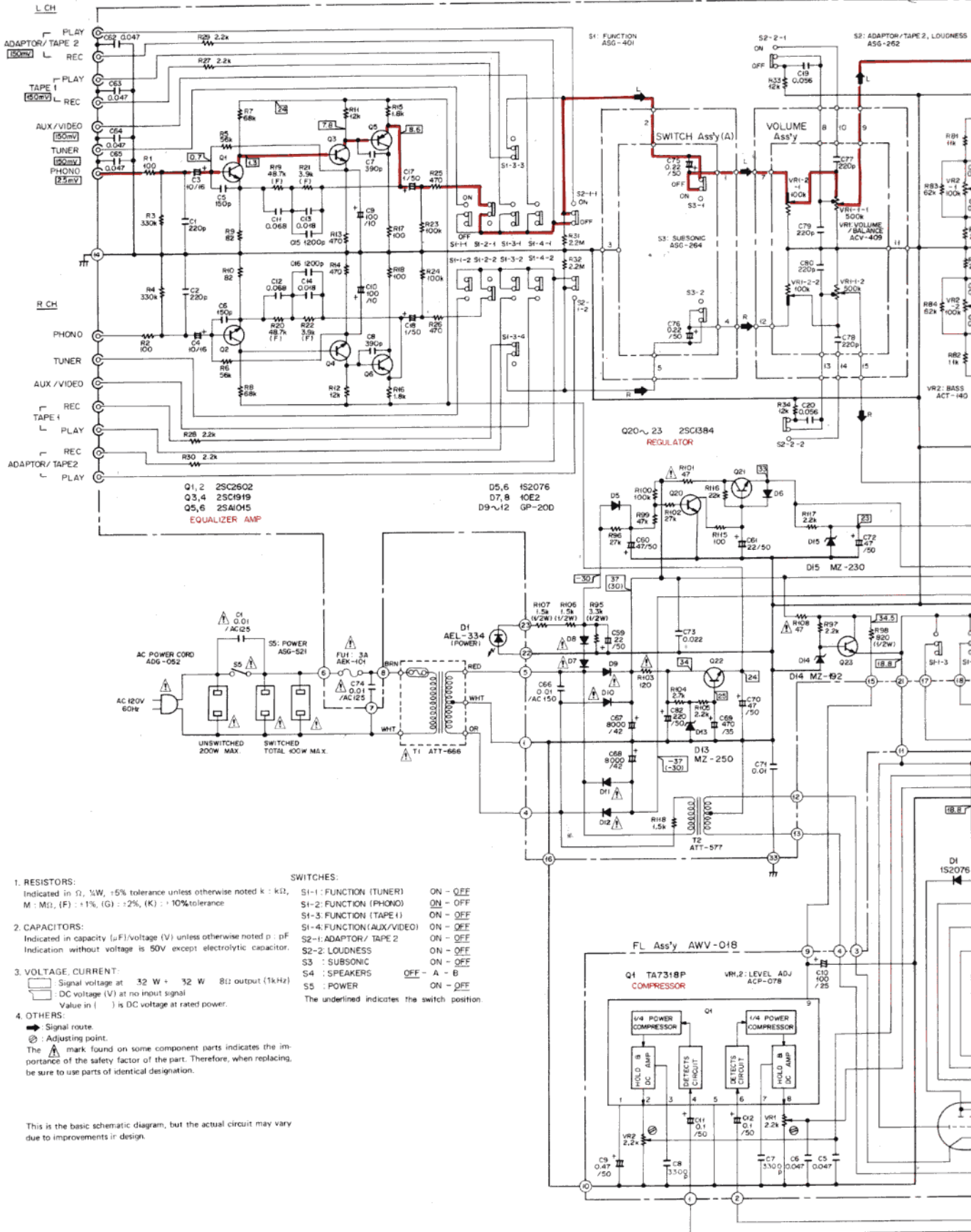
- This service manual is applicable to the KU type (pp1 – 18), YP type (pp21 – 26) and S, S/G types (pp27 – 32). When repairing the HE, HB types, please see the additional service manual (ART-644).
- For the circuit description, please refer to the supplement of model SA-720 service manual (ART-765).
- Ce manuel d'instruction se réfère au mode de réglage, en français.
- Este manual de servicio trata del método de ajuste escrito en español.

## CONTENTS

1. SPECIFICATIONS . . . . .	2	8. ELECTRICAL PARTS LIST . . . . .	13
2. FRONT PANEL FACILITIES . . . . .	3	9. PACKING . . . . .	15
3. BLOCK DIAGRAM . . . . .	4	10. ADJUSTMENTS . . . . .	16
4. PARTS LOCATION . . . . .	5	RÉGLAGE . . . . .	17
5. EXPLODED VIEWS . . . . .	6	AJUSTE . . . . .	18
6. P.C. BOARDS CONNECTION DIAGRAM . . . . .	8	ADDITIONAL SERVICE MANUAL FOR YP, S AND S/G TYPES . . . . .	19
7. SCHEMATIC DIAGRAM . . . . .	11		

# 7. SCHEMATIC DIAGRAM

AF Ass'y GWK-17



This is the basic schematic diagram, but the actual circuit may vary due to improvements in design.

**NOTE:**  
 The indicated semiconductors are representative ones only. Other alternative semiconductors may be used and are listed in the parts list.

