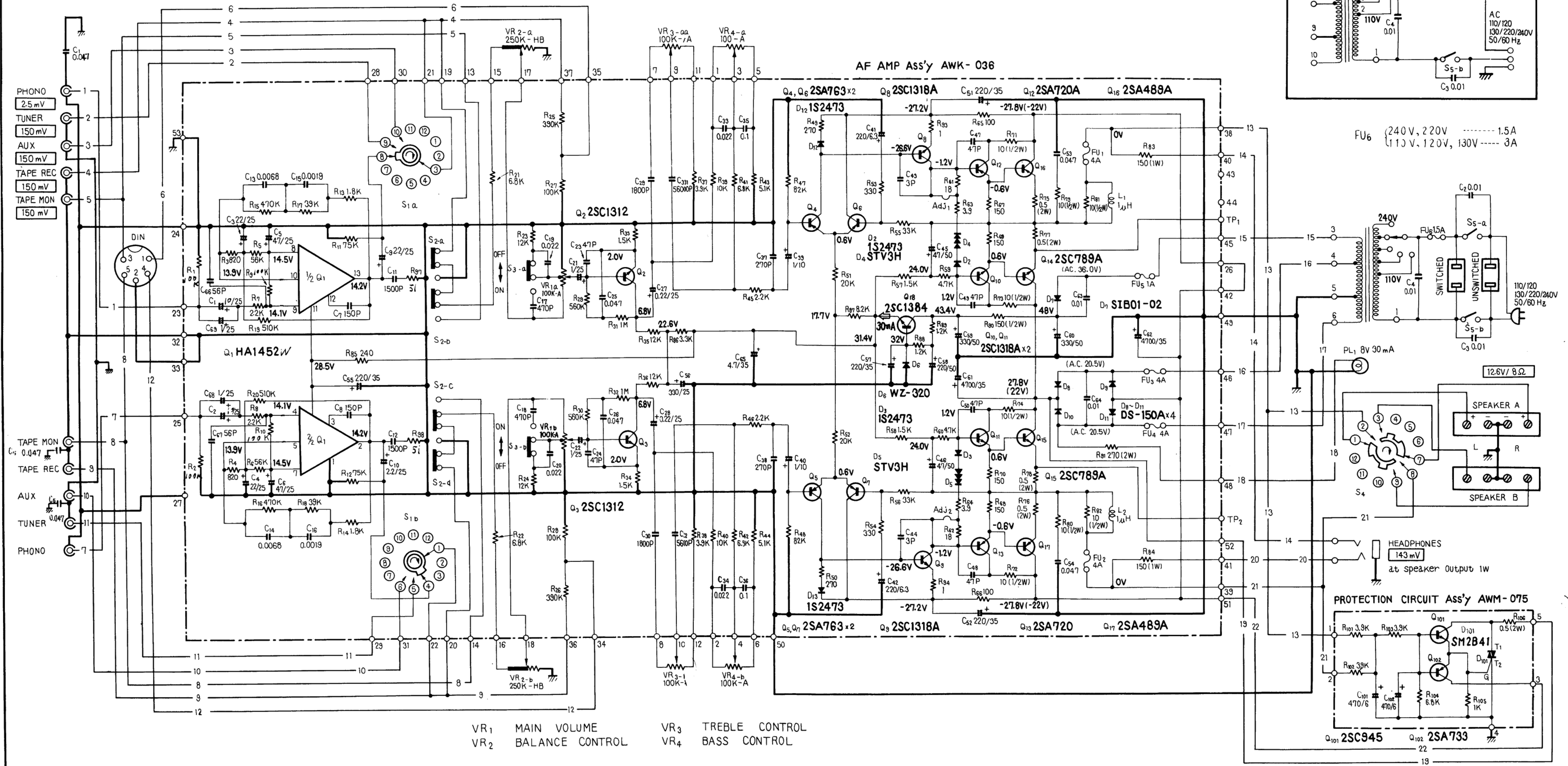


# 5-Line Voltage model

Manufactured for England



VR1 MAIN VOLUME  
VR2 BALANCE CONTROL  
VR3 TREBLE CONTROL  
VR4 BASS CONTROL

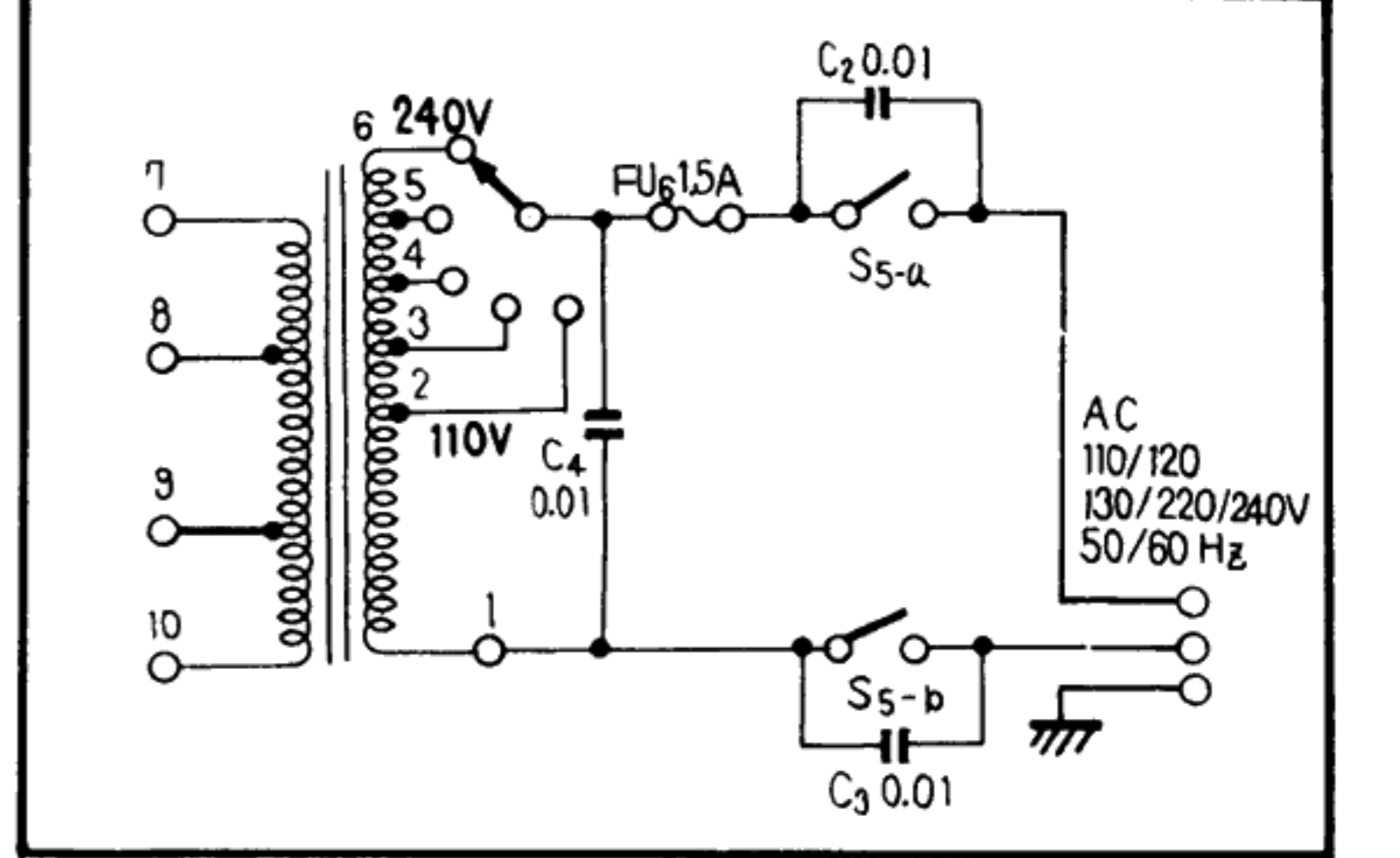
- SWITCHES**
- S<sub>1</sub> FUNCTION
    - 1. PHONO
    - 2. TUNER
    - 3. AUX
  - S<sub>2</sub> TAPE MONITOR
    - OFF → ON
    - LOUDNESS
    - OFF → ON
  - S<sub>3</sub>
    - OFF → ON
  - S<sub>4</sub> SPEAKER SELECTOR
    - 1. OFF
    - 2. A
    - 3. B
    - 4. A + B
  - S<sub>5</sub> POWER SWITCH
    - OFF → ON

**RESISTORS**  
IN OHM, 1/4W, ±5% TOLERANCE UNLESS OTHERWISE NOTED. K: KΩ M: MΩ

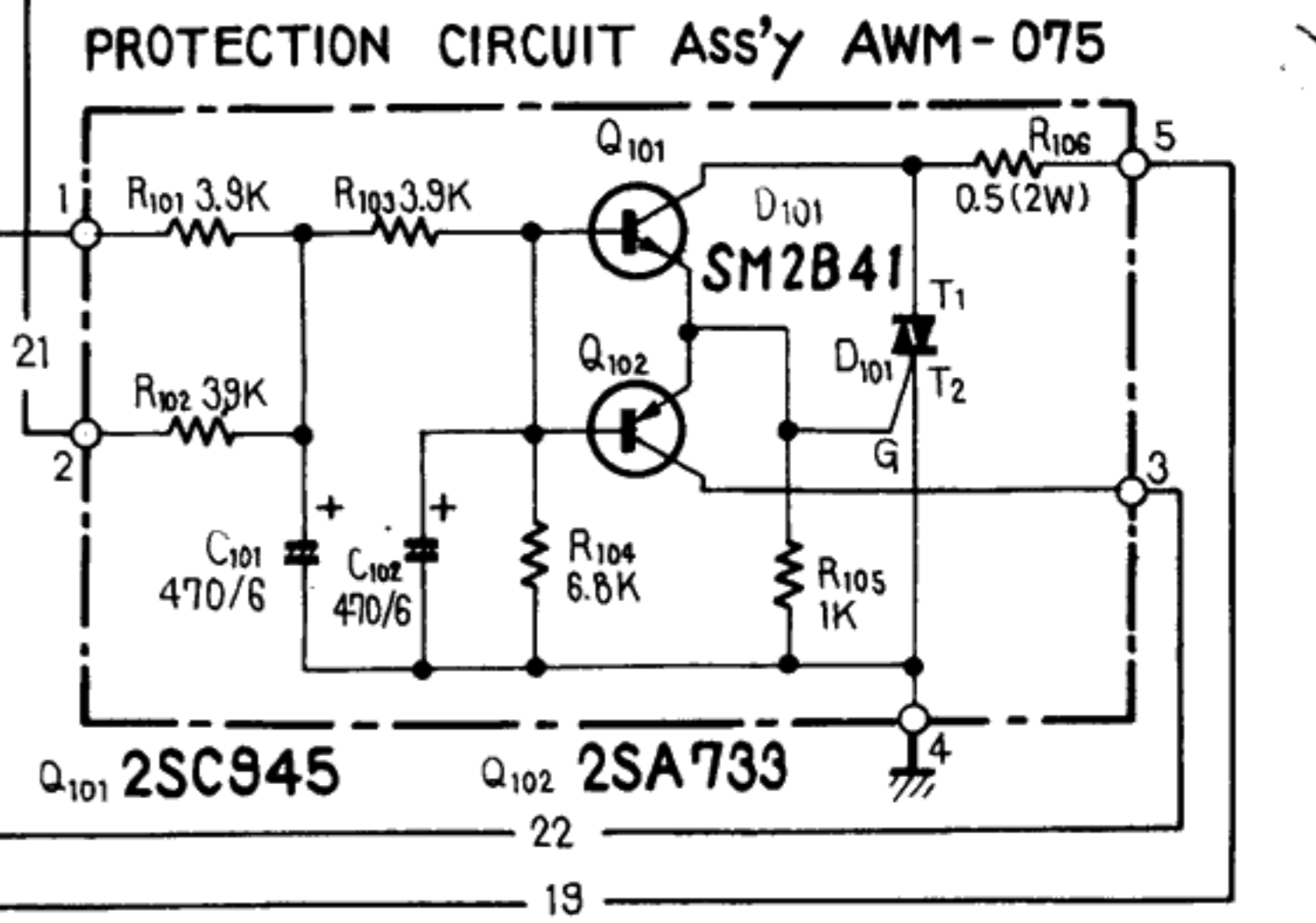
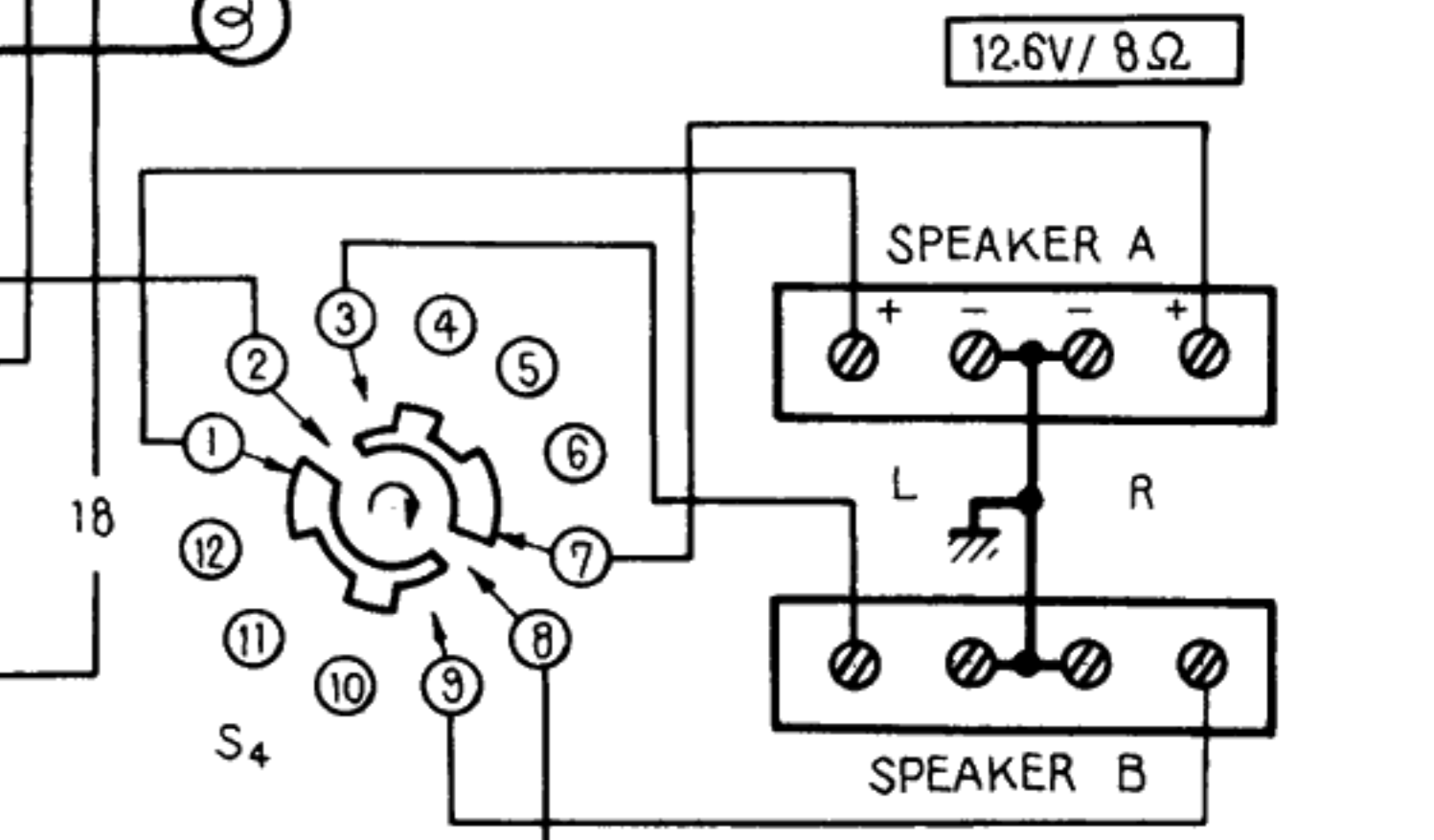
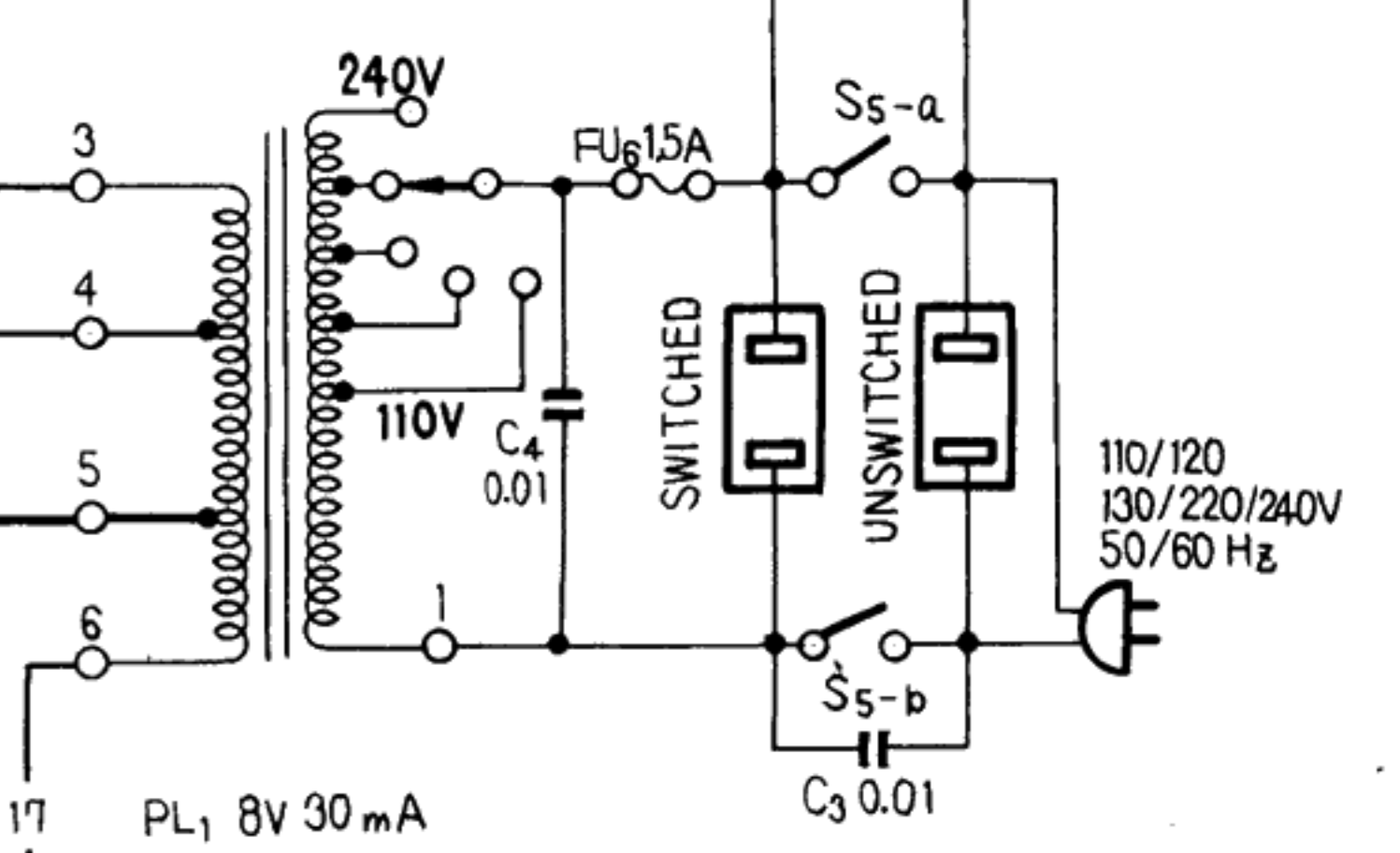
**CAPACITORS**  
IN μF UNLESS OTHERWISE NOTED.  
P: pF

**NOTES**

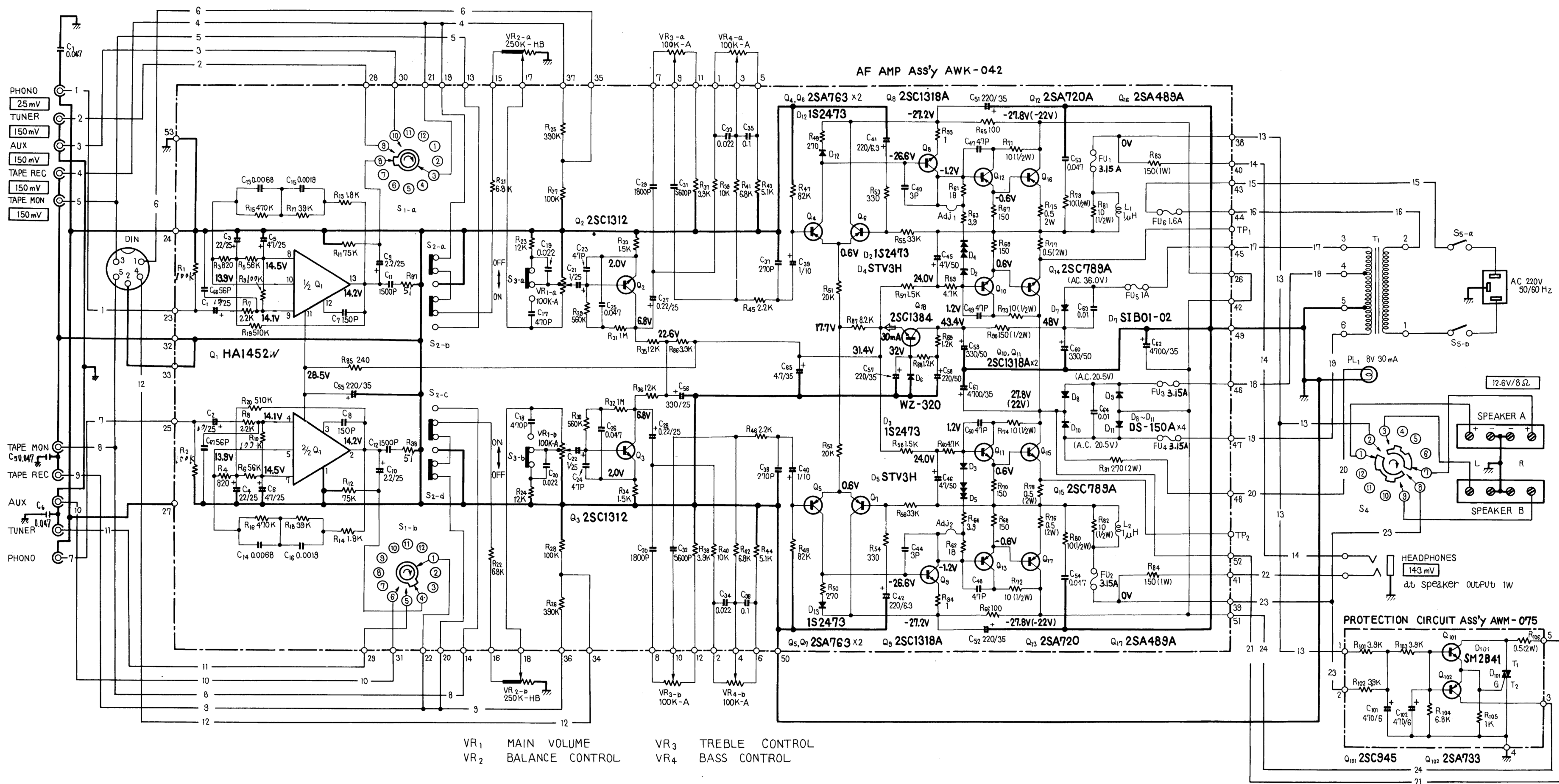
- : SIGNAL VOLTAGE NECESSARY FOR OBTAINING 20W/8Ω OUTPUT POWER (1KHz).
- V : DC VOLTAGE AT NO INPUT SIGNAL.
- ( V ) : DC VOLTAGE AT 20WATTS x2 OUTPUTS.
- ↔ A : DC CURRENT AT NO INPUT SIGNAL.



FU6 (240V, 220V, 130V, 110V, 0V) 1.5A  
C2 0.01



# 220V model



VR<sub>1</sub> MAIN VOLUME  
 VR<sub>2</sub> BALANCE CONTROL  
 VR<sub>3</sub> TREBLE CONTROL  
 VR<sub>4</sub> BASS CONTROL

**SWITCHES**

S<sub>1</sub> FUNCTION  
 1. PHONO  
 2. TUNER  
 3. AUX

S<sub>2</sub> TAPE MONITOR  
 OFF → ON  
 S<sub>3</sub> LOUDNESS  
 OFF → ON

S<sub>4</sub> SPEAKER SELECTOR  
 1. OFF  
 2. A  
 3. B  
 4. A + B

S<sub>5</sub> POWER SWITCH  
 OFF → ON

**RESISTORS**  
 IN OHM, 1/4W, ±5% TOLERANCE UNLESS OTHERWISE NOTED. K : kΩ M : MΩ

**CAPACITORS**  
 IN μF UNLESS OTHERWISE NOTED.  
 P : pF

**NOTES**

□ : SIGNAL VOLTAGE NECESSARY FOR OBTAINING 20W/8Ω OUTPUT POWER (1kHz).

V : DC VOLTAGE AT NO INPUT SIGNAL.

( V ) : DC VOLTAGE AT 20 WATTS × 2 OUTPUTS.

↪ A : DC CURRENT AT NO INPUT SIGNAL.

