

- SWITCHES:
- | | | |
|-----------------|----------------|---------------|
| S ₁ | POWER | OFF — ON |
| S ₂ | RELAY | OFF — ON |
| S ₃ | AM | OFF — ON |
| S ₄ | FM | OFF — ON |
| S ₅ | PHONO 1 | OFF — ON |
| S ₆ | PHONO 2/MIC | OFF — ON |
| S ₇ | AUX | OFF — ON |
| S ₈ | TAPE MONITOR 1 | OFF — ON |
| S ₉ | TAPE MONITOR 2 | OFF — ON |
| S ₁₀ | TAPE DUPLICATE | OFF — ON |
| S ₁₁ | ADAPTOR | OFF — ON |
| S ₁₂ | MODE | OFF — ON |
| S ₁₃ | MONO | STEREO — MONO |
| S ₁₄ | MUTING | OFF — -20dB |
| S ₁₅ | LOUDNESS | OFF — ON |
| S ₁₆ | TOUR | OFF — ON |
| S ₁₇ | LOW FILTER | OFF — ON |
| S ₁₈ | HIGH FILTER | OFF — ON |
| S ₁₉ | SPEAKER A | OFF — ON |
| S ₂₀ | SPEAKER B | OFF — ON |
| S ₂₁ | SPEAKER C | OFF — ON |
- RESISTOR:
- IN OHM, 1/4W ±5% TOLERANCE UNLESS OTHERWISE NOTED
 - IN μ F UNLESS OTHERWISE NOTED
 - P : pF
 - K : k Ω
 - M : M Ω
- CAPACITORS:
- IN OHM, 1/4W ±5% TOLERANCE UNLESS OTHERWISE NOTED
 - IN μ F UNLESS OTHERWISE NOTED
 - P : pF
- RELAYS:
- S₂₂ FM MUTING OFF — ON
 - S₂₃ FM MULTIPATH OFF — ON
 - S₂₄ REED RELAY OFF — ON
 - S₂₅ FM DE-EMPHASIS 25 μ S — 75 μ S

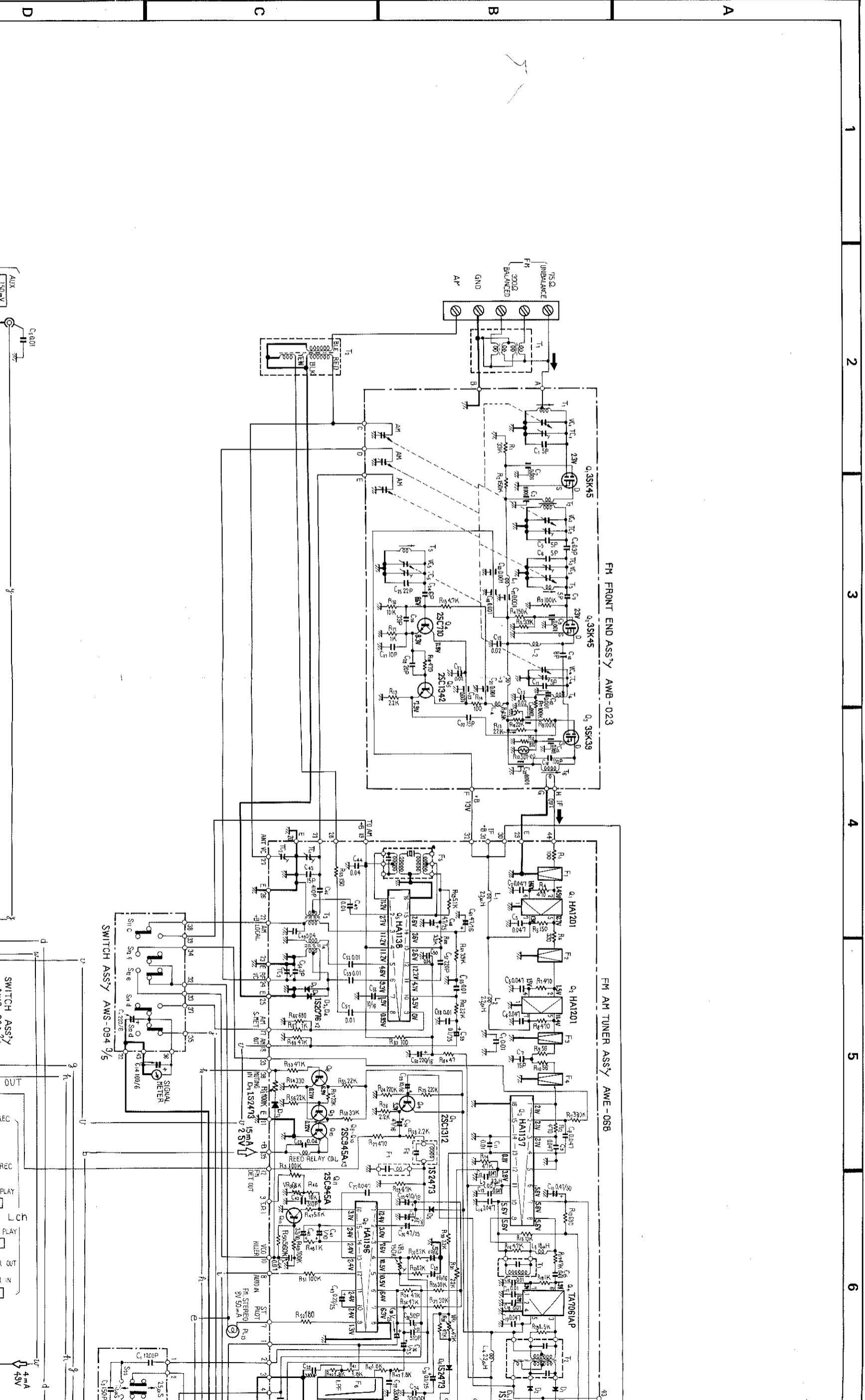
NOTE:
 This is the basic schematic diagram, but the actual circuit may vary due to improvement in design.

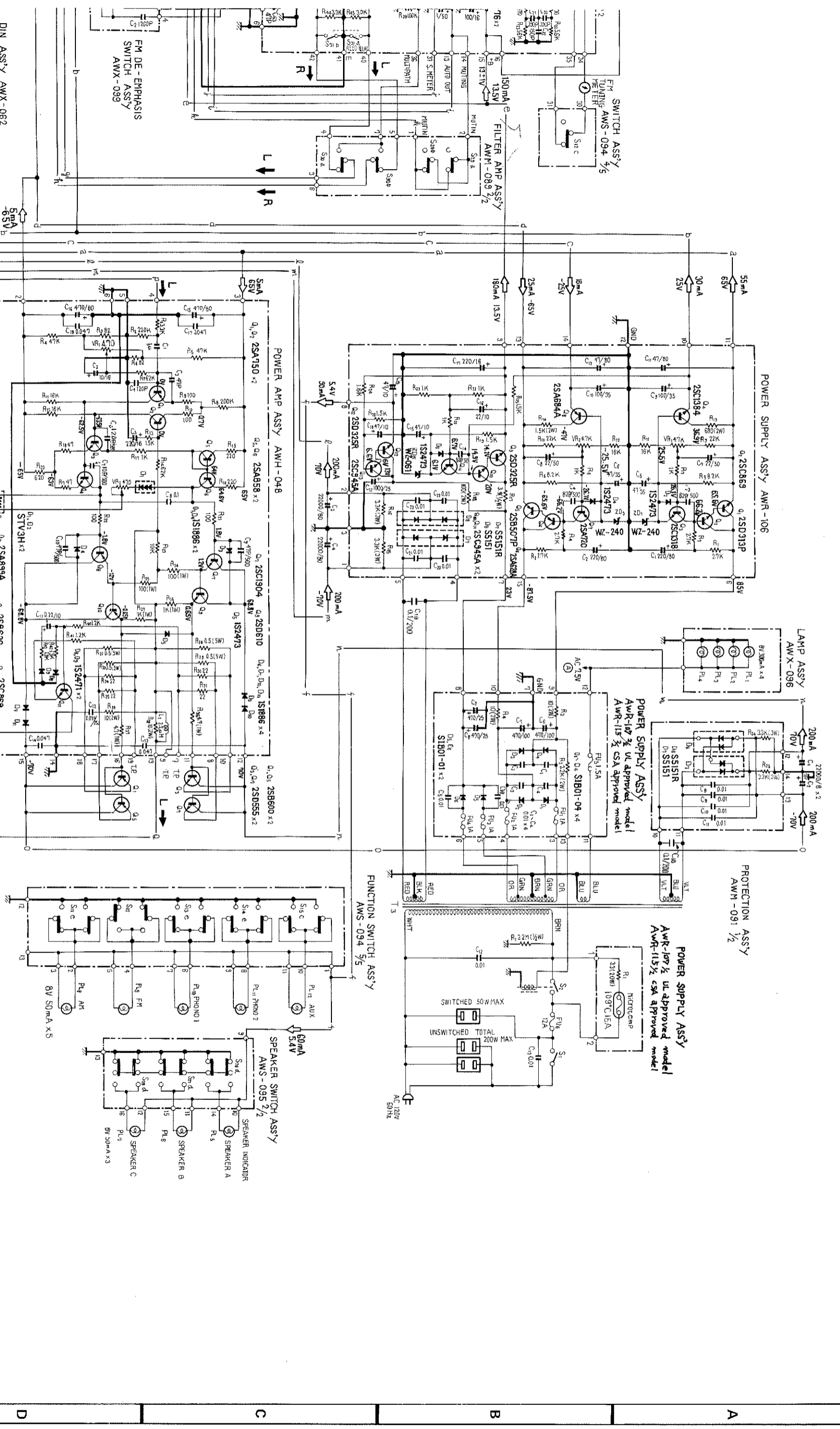
SIGNAL VOLTAGE AT SPEAKER OUTPUT 38V/8 Ω 1kHz
 DC CURRENT AT NO INPUT SIGNAL
 DC VOLTAGE AT NO INPUT SIGNAL

AM/FM STEREO RECEIVER

SX-1250

KC
KU





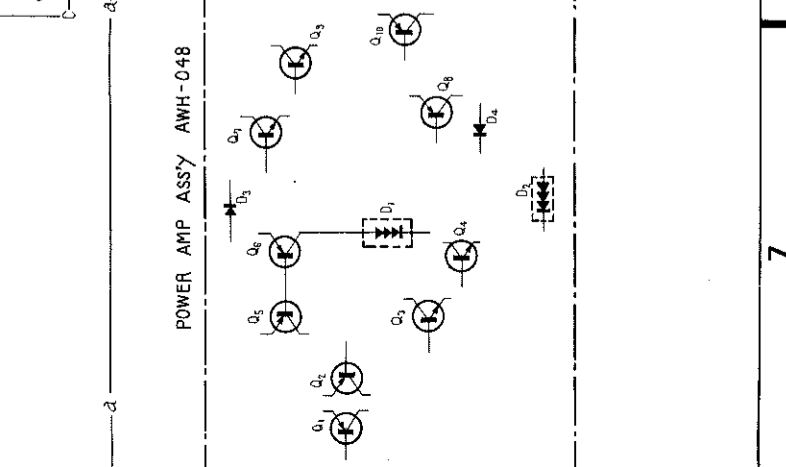
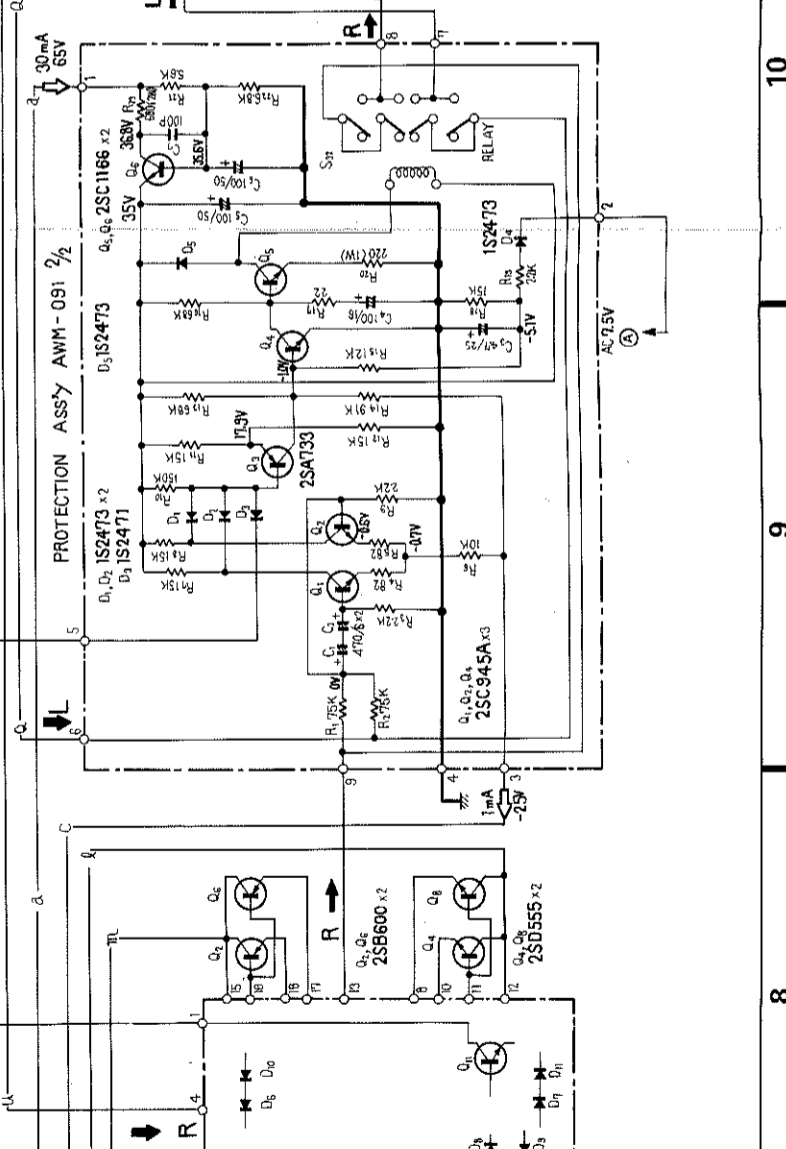
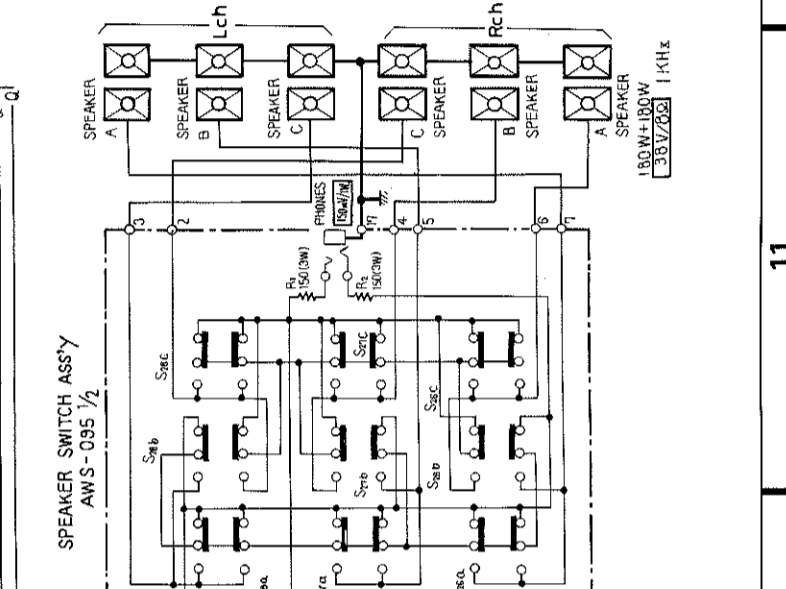
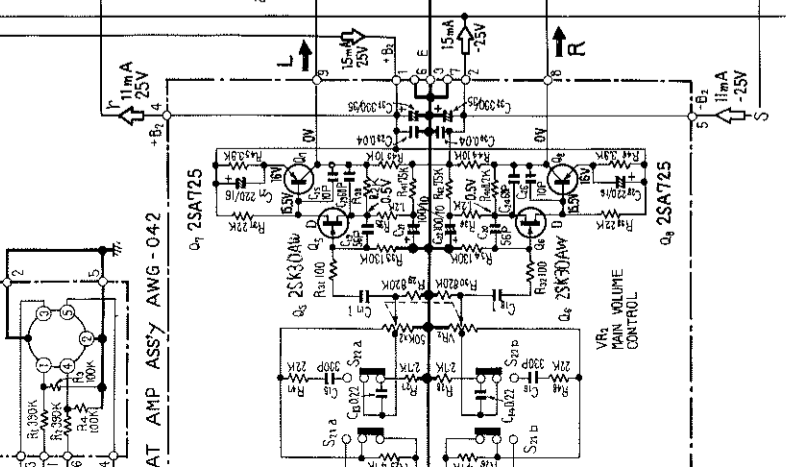
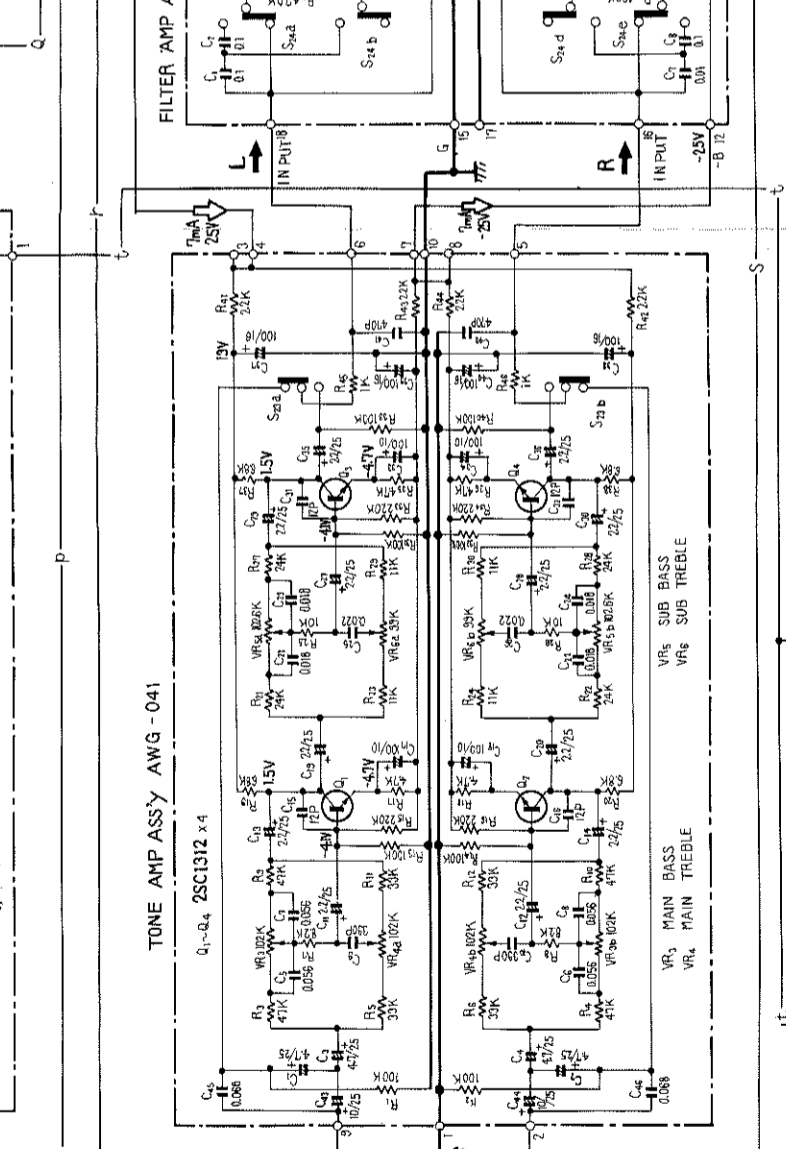
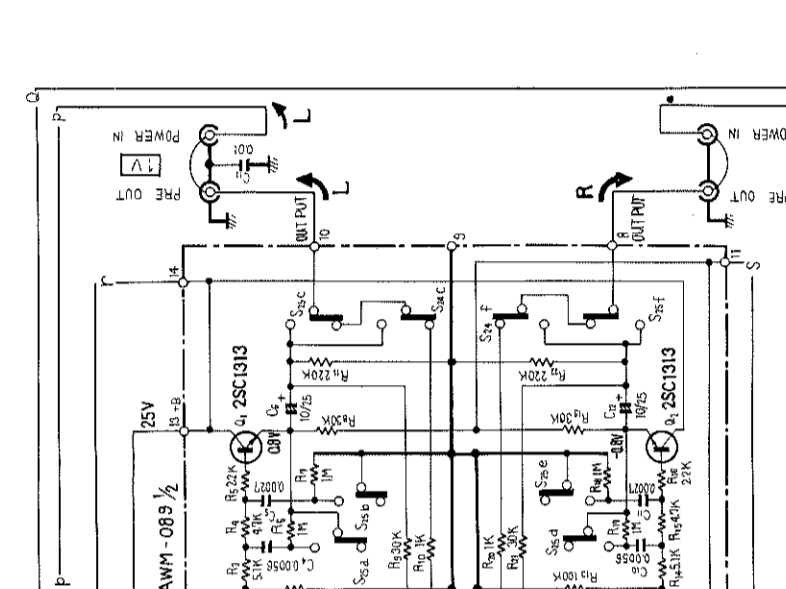
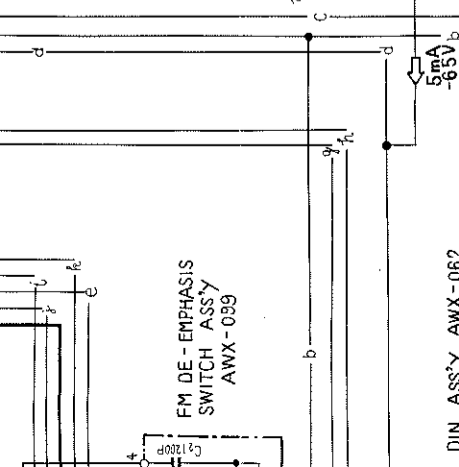
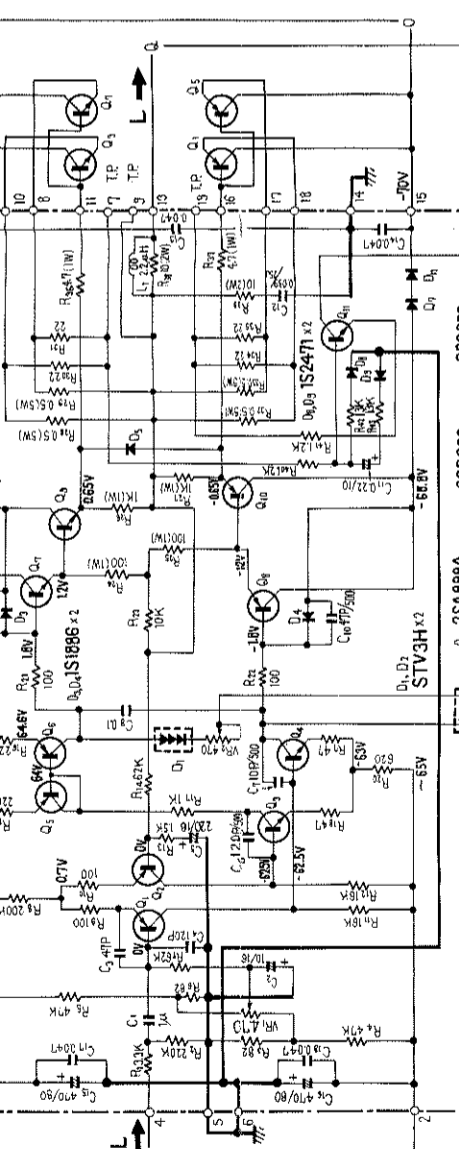
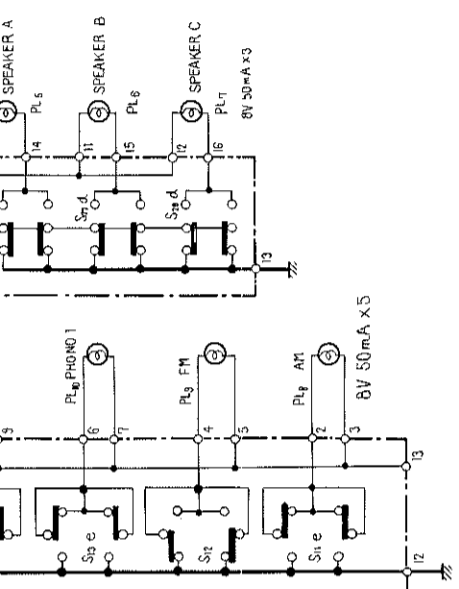
DIN ASS'Y AWX-062

D

C

B

A



D

E

F

G

12

11

10

9

8

7