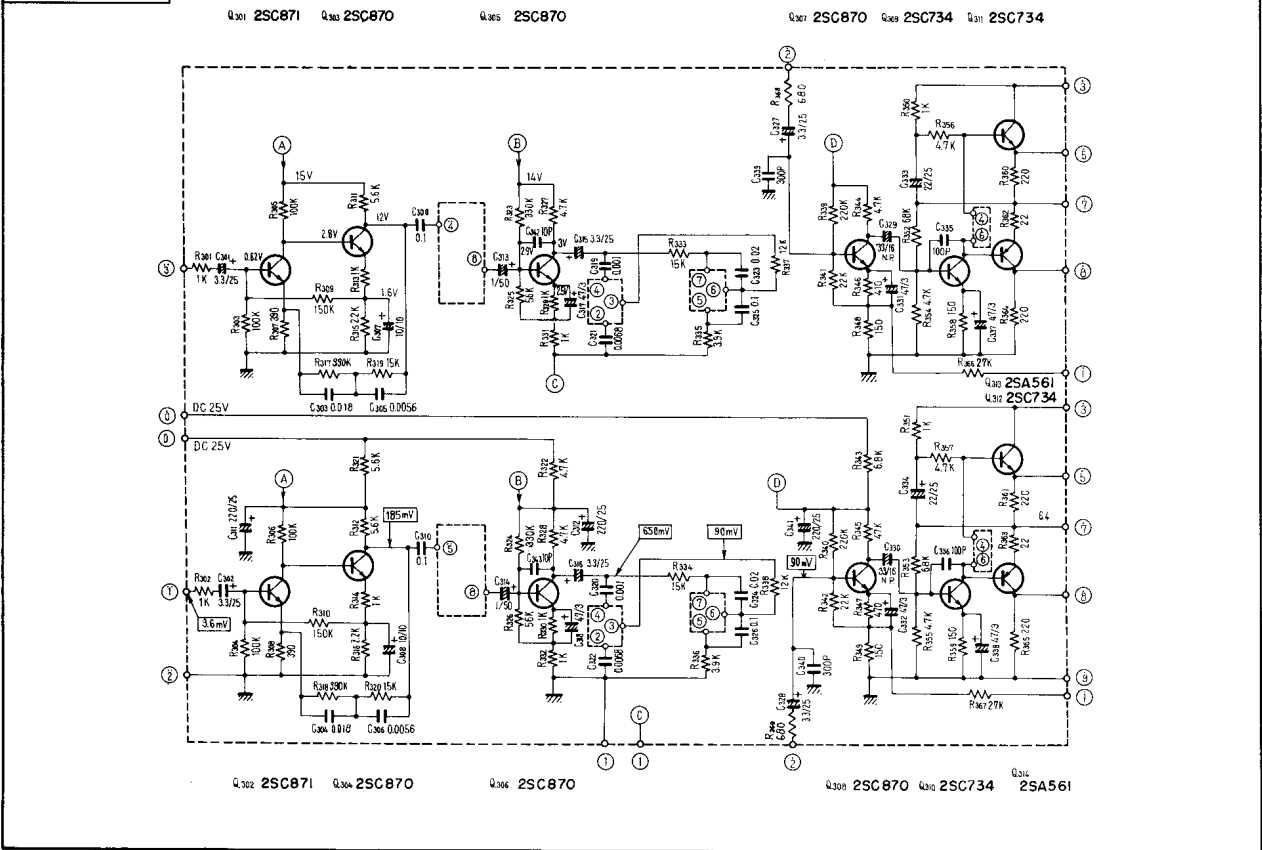


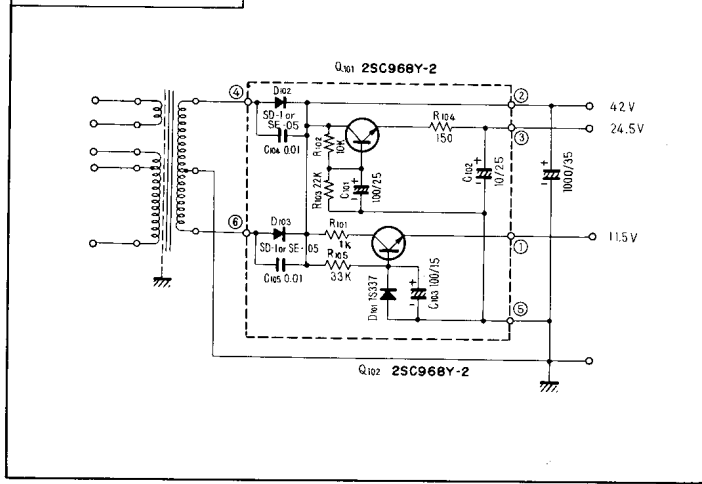
PIONEER®



AUDIO UNIT
W15-073



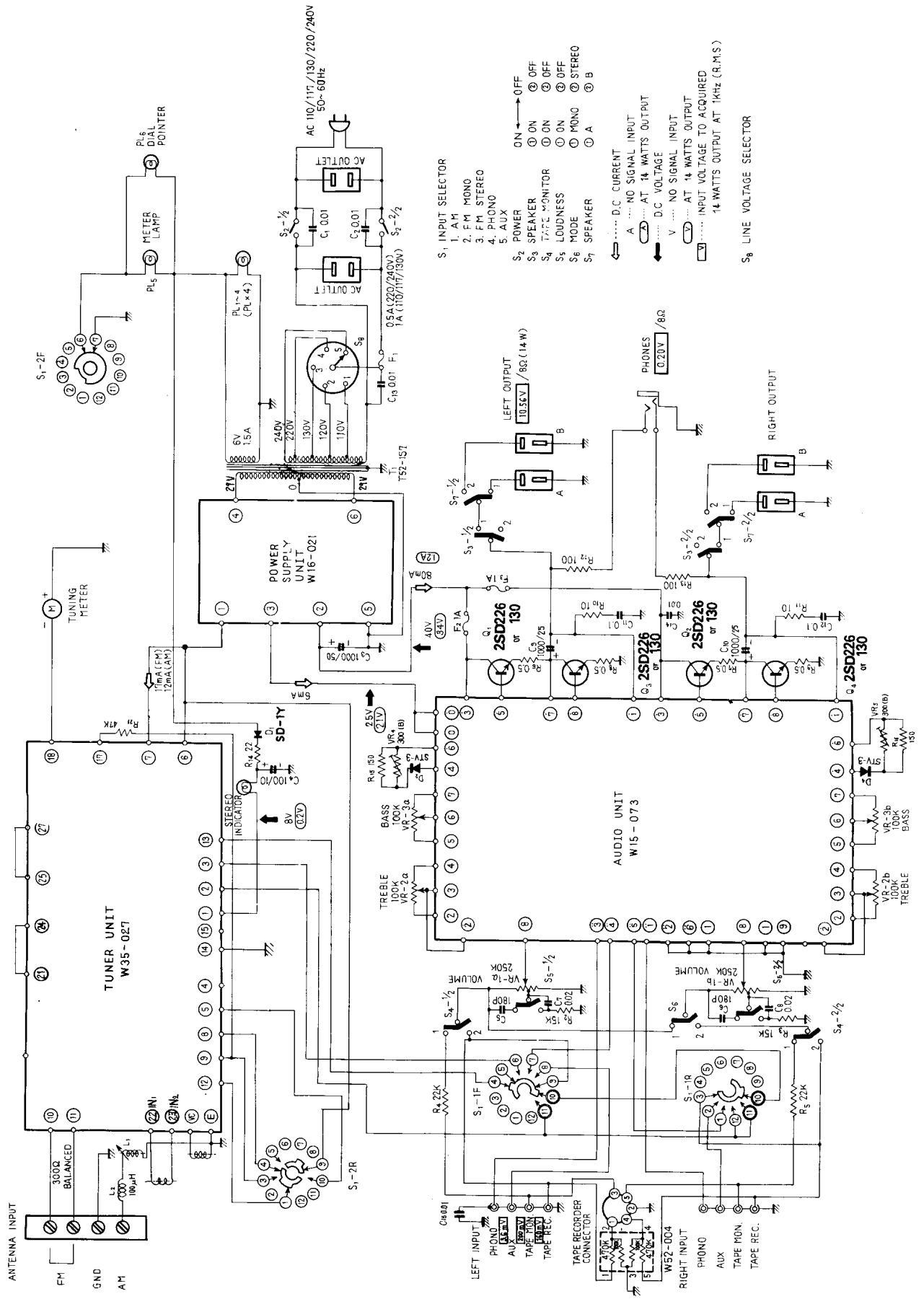
POWER SUPPLY UNIT
W16-021



SCHEMATIC CIRCUIT DIAGRAMS

MODEL

SX-440



TUNER UNIT

W35-027

