

AUDIO/VIDEO STEREO RECEIVER

VSX-411S KUC/CA

VSX-401 KUC, KUC/CA

 **PIONEER**
The Art of Entertainment

Service Manual

- Refer to the service manual ARP2060 for VSX – 3700S/KUC.
- This manual is applicable to VSX – 411S/KUC/CA, VSX – 401/KUC and VSX – 401/KUC/CA.
- The " S " at the end of the model number indicates that the a programable remote control unit is supplied.


ORDER NO.
ARP2436


PIONEER ELECTRONIC CORPORATION 4-1, Meguro 1-Chome, Meguro-ku, Tokyo 153, Japan
PIONEER ELECTRONICS SERVICE INC. P.O. Box 1760, Long Beach, California 90801 U.S.A.
PIONEER ELECTRONICS OF CANADA, INC. 300 Allstate Parkway Markham, Ontario L3R 0P2 Canada
PIONEER ELECTRONIC (EUROPE) N.V. Haven 1087 Keetberglaan 1, 9120 Melsele, Belgium
PIONEER ELECTRONICS AUSTRALIA PTY. LTD. 178-184 Boundary Road, Braeside, Victoria 3195, Australia TEL: [03] 580-9911
© **PIONEER ELECTRONIC CORPORATION 1992**

DFE MAR. 1992 Printed in Japan

NOTE :

 : Indicates a chip resistor.

 : Indicates a chip capacitor.

 : Indicates a chip transistor.

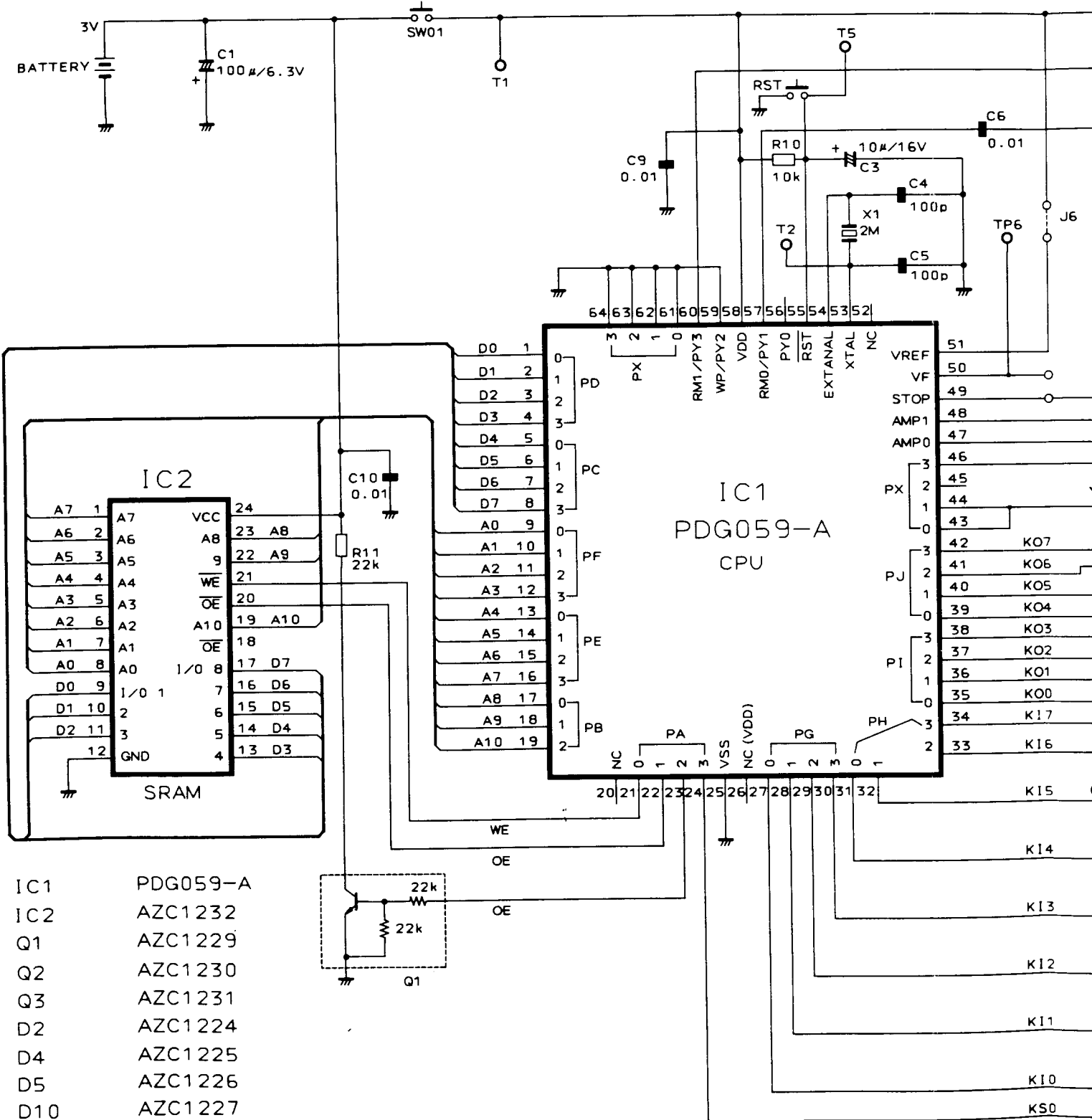
 : Indicates a chip diode.

1. RESISTORS :

Indicated in Ω , 1/k Ω , 1/M Ω , $\pm 5\%$ tolerance unless otherwise noted k:k Ω , M:M Ω , (F): $\pm 1\%$, (G): $\pm 2\%$, (K): $\pm 10\%$, (M): $\pm 20\%$ tolerance.

2. CAPACITORS :

Indicated in capacity (μ F)/voltage (V) unless otherwise noted: pF
Indication without voltage is 50V except electrolytic capacitor.



- IC1 PDG059-A
- IC2 AZC1232
- Q1 AZC1229
- Q2 AZC1230
- Q3 AZC1231
- D2 AZC1224
- D4 AZC1225
- D5 AZC1226
- D10 AZC1227
- D6-D9, D11 AZC1228

3. OTHERS:

Unless otherwise noted k:kΩ, 20% tolerance.

➔ : Signal route.

⊗ : Adjusting point.

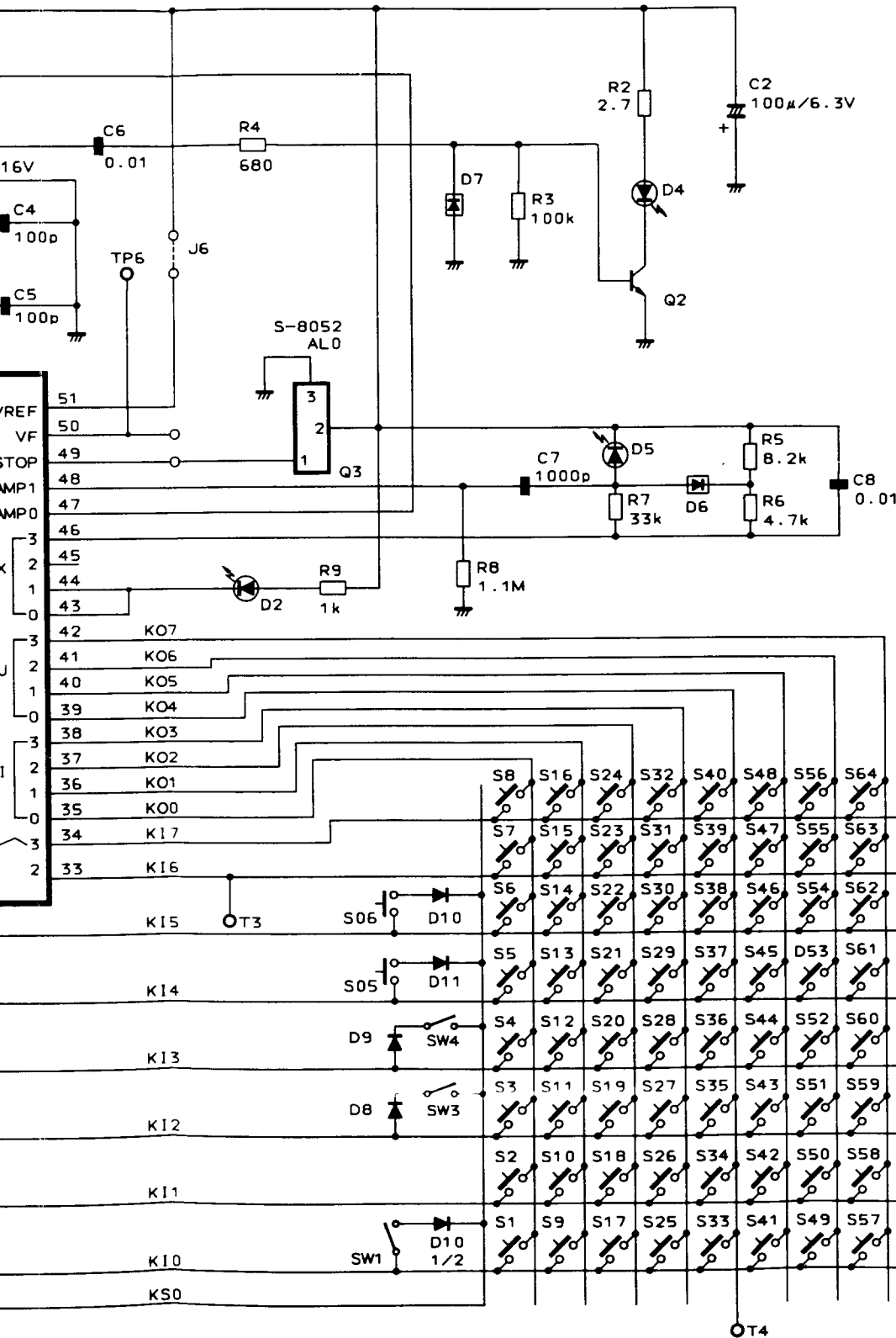
The Δ mark found on some component parts importance of the safety factor of the part. Therefore, when replacing, be sure of use parts of identical designation.

* marked capacitors and resistors have parts numbers.

This is the basic schematic diagram, but the actual circuit may vary due to improvements in design.

The underline indicates the switch position

Unless otherwise noted: pF electrolytic capacitor.



- SW1: AUDIO/VIDEO
- SR: RECALL/USE/LEARN
- SW3: SR RECALL/USE
- SW4: USE/LEARN
- MEMORY CLEAR
- S5: ON/OFF
- CENTER/REAR
- S6: ON/OFF
- RESET
- RST: ON/OFF

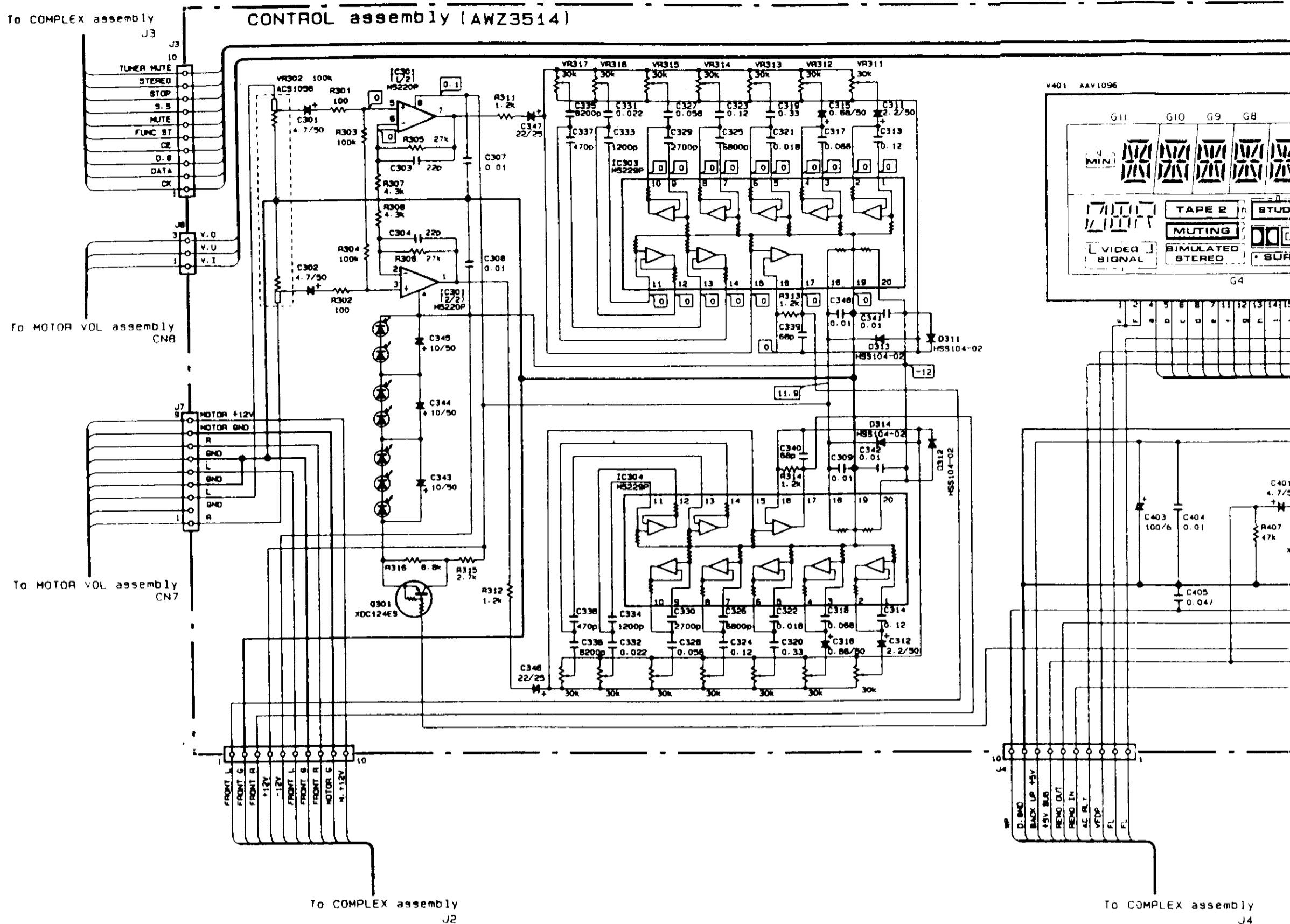
- TAPE/VCR
- S2: TAPE SELECT/ANT
- S10: ■/■
- S8: ▶/▶
- S6: ◀/◀
- S7: ▶/▶
- S9: ◀
- S15: 1/VCR CH-
- S16: 2/VCR CH+
- S1: VCR POWER
- S12: ●/●
- S3: ||/||

- CD/VDP
- S13: DISC-SELECT/DISPLAY
- S14: ■/■
- S11: ▶/▶ SEARCH
- S20: ▶/▶ CHAP/FR-TIME
- S21: ▶/▶
- S5: ◀/◀
- S22: ▶/▶
- S35: ||/||
- S17: CD POWER/VDP POWER
- S18: PGM
- S19: CD+10

- TUNER/TV (CD/VDP)
- S24: 1 (1)
- S25: 2 (2)
- S26: 3 (3)
- S27: 4 (4)
- S23: 5 (5)
- S29: 6 (6)
- S30: 7 (7)
- S31: 8 (8)
- S32: 9 (9)
- S28: 0/10 (0/10)
- S34: 11 (MEMORY)
- S36: 12 (CLR)
- S33: STATION+/TV-CH+
- S37: STATION-/TV-CH-
- S41: BAND/DUAL
- S52: DIRECT ACCESS/TV-FUNC
- S53: FREQUENCY+/TV-VOL+
- S43: FREQUENCY-/TV-VOL-
- S59: SCAN/TV-DISP
- S42: HITS
- S54: CUSTOM MEMORY/CH-RETURN
- S40: TV-POWER

- AMP/AMP
- S50: VOLUME+
- S51: VOLUME-
- S58: VDP
- S63: VCR
- S64: MUTING
- S48: RECEIVER POWER
- S57: TAPE2
- S47: SURROUND MODE
- S56: SURROUND LEVEL+
- S55: SURROUND LEVEL-
- S61: TUNER
- S46: SLEEP
- S60: CD
- S62: PHONO
- S4: TAPE1
- S49: LINE
- S45: VIDEO SIGNAL SELECT
- S38: DELAY TIME
- S39: RETURN
- S44: SIMULATED STEREO

3. SCHEMATIC AND P. C. BOARD DIAGRAM



1. RESISTORS:

Indicated in Ω , $\frac{1}{4}W$, $\frac{1}{8}W$, $\pm 5\%$ tolerance unless otherwise noted k : k Ω , M : M Ω , (F) : $\pm 1\%$, (G) : $\pm 2\%$, (K) : $\pm 10\%$ (M); $\pm 20\%$ tolerance

2. CAPACITORS:

Indicated in capacity (μF)/voltage (V) unless otherwise noted p : pF
Indication without voltage is 50V except electrolytic capacitor.

3. VOLTAGE, CURRENT:

- : Signal voltage at (100 W + 100 W 8 Ω)output (1kHz)
- : DC voltage (V) at no input signal
Value in () is DC voltage at rated power.
- mA : DC current at no input signal

4. OTHERS:

- : Signal route.
- : Adjusting point.
- The mark found on some component parts indicates the importance of the safety factor of the part. Therefore, when replacing, be sure to use parts of identical designation.
- * marked capacitors and resistors have parts numbers.

This is the basic schematic diagram, but the actual circuit may vary due to improvements in design.

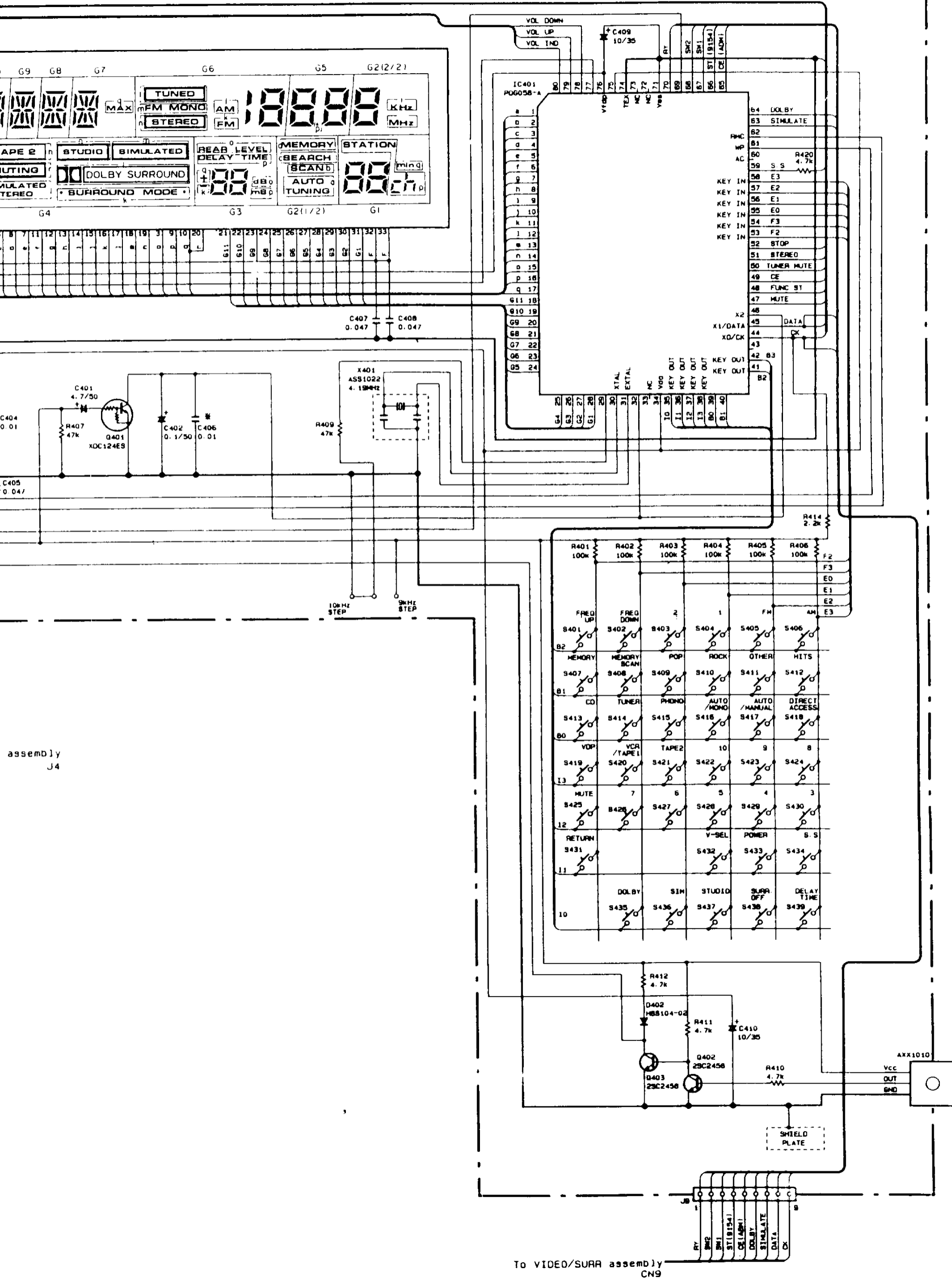
SWITCHES:

SP SWITCH assembly

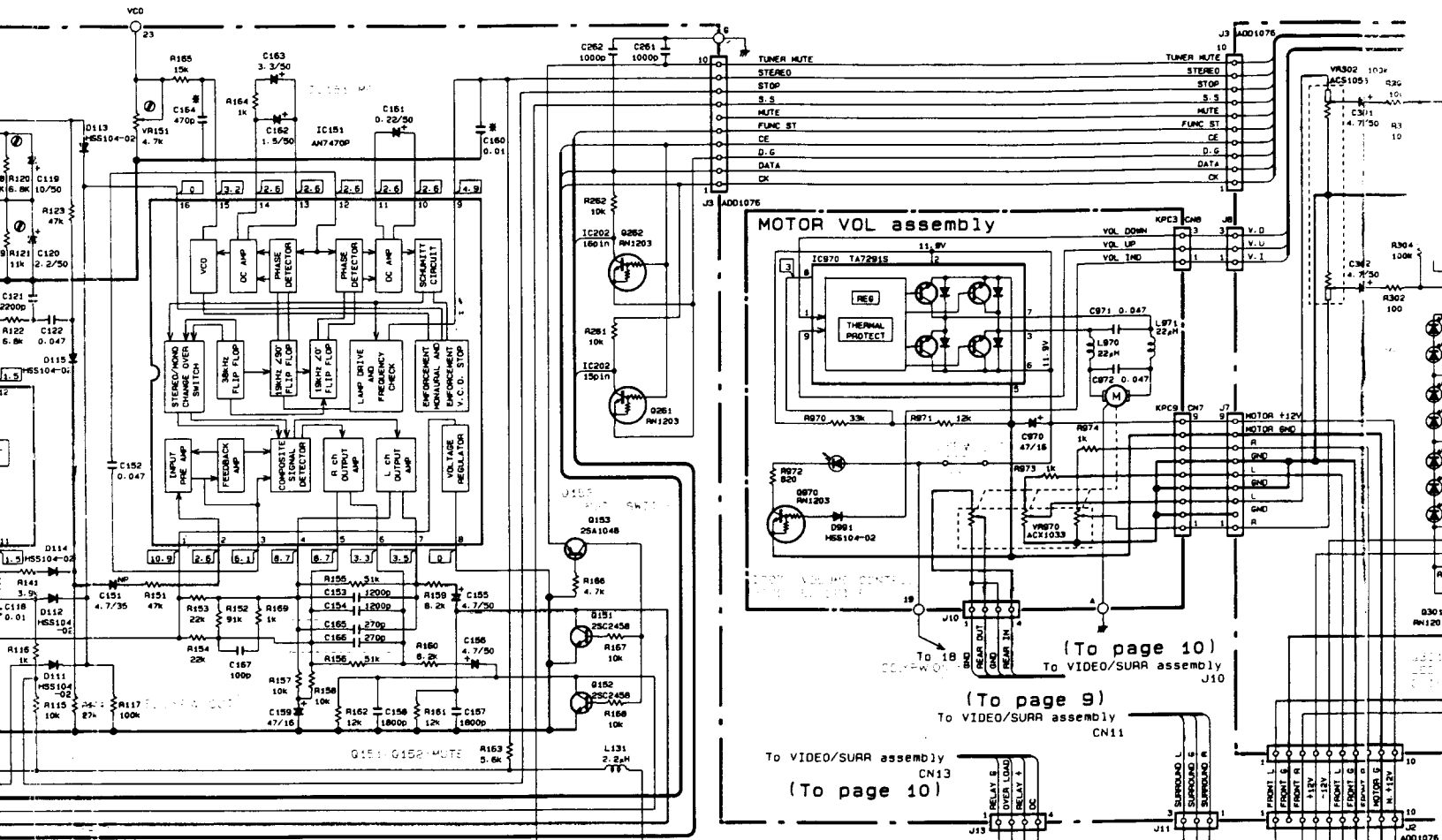
S570 SP A ON-OFF / SP-B ON-OFF

CONTROL assembly

S401	FREQ UP	S421	TAPE 2
S402	FREQ DOWN	S422	10
S403	2	S423	9
S404	1	S424	8
S405	FM	S425	MUTE
S406	AM	S426	7
S407	MEMORY	S427	6
S408	MEMORY SCAN	S428	5
S409	POP	S429	4
S410	ROCK	S430	3
S411	OTHER	S431	RETURN
S412	HITS	S432	V-SEL.
S413	CD	S433	POWER
S414	TUNER	S434	S.S
S415	PHONO	S435	DOLBY
S416	AUTO/MONO	S436	SIM.
S417	AUTO/MANUAL	S437	STUDIO
S418	DIRECT ACCESS	S438	SURR.
S419	VDP	S439	DELAY TIME
S420	VCR/TAPE1		



To VIDEO/SURR assembly CN9

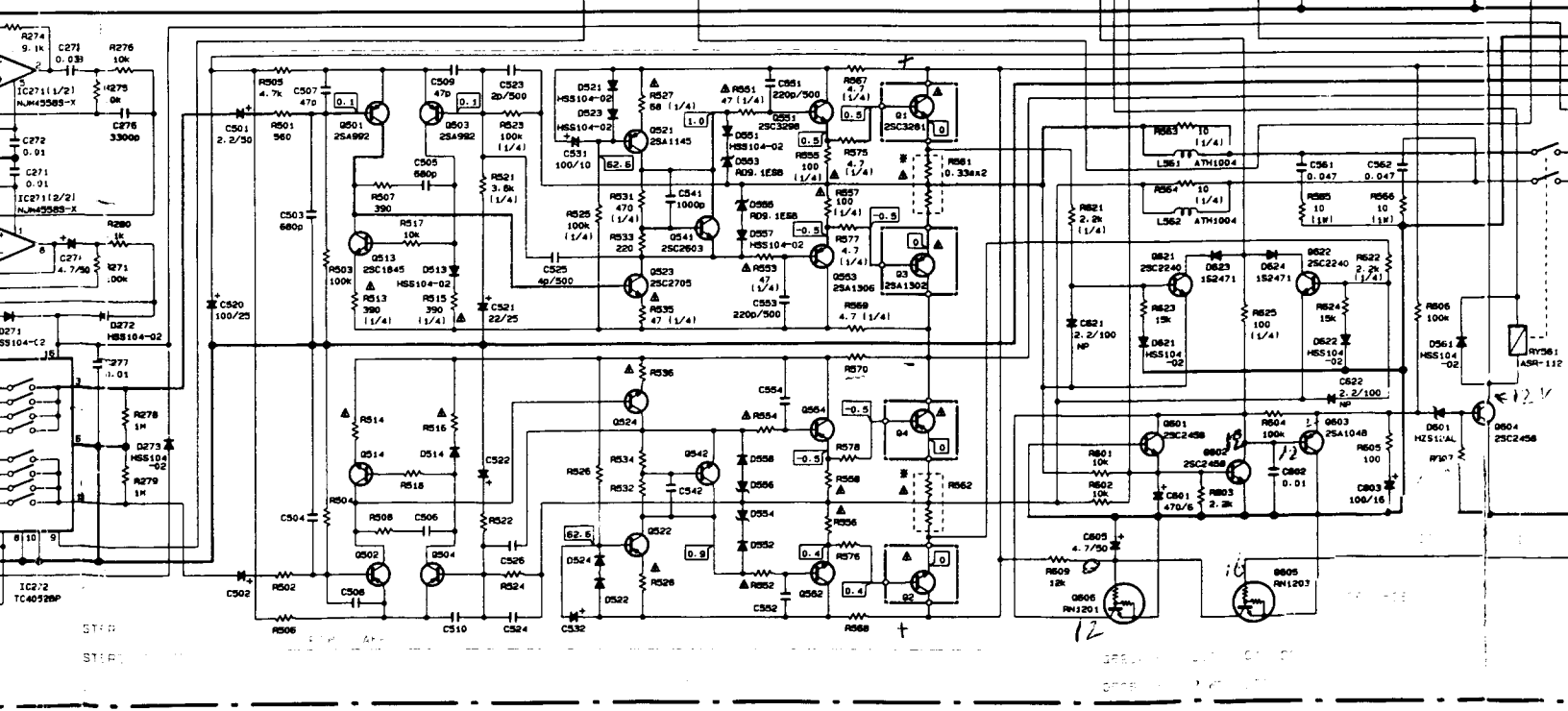


MOTOR VOL assembly

(To page 10)
To VIDEO/SURR assembly J10

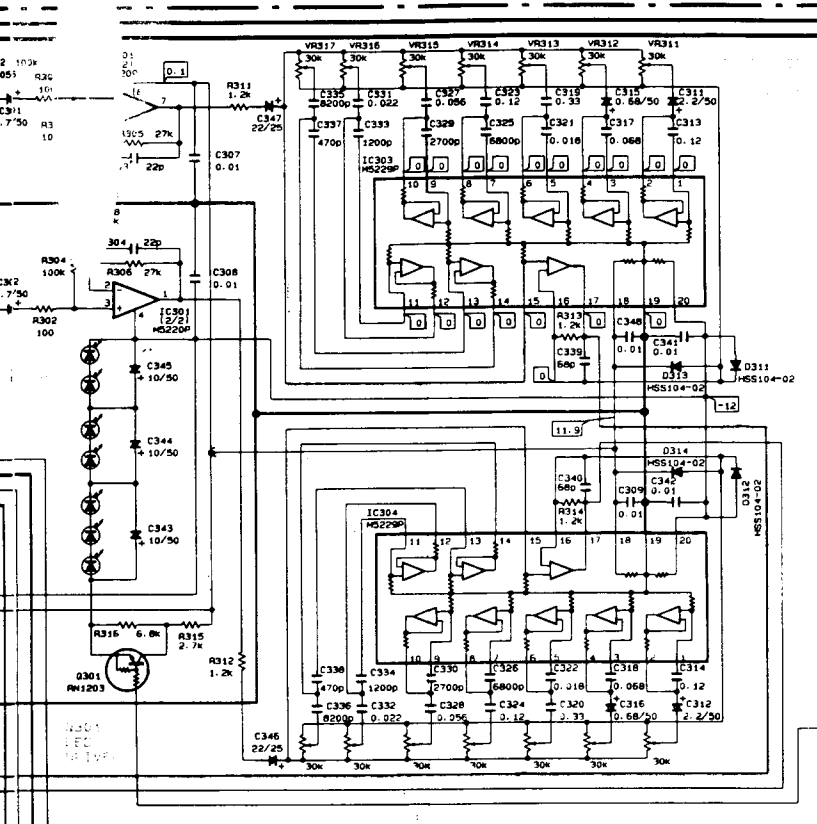
(To page 9)
To VIDEO/SURR assembly CN11

To VIDEO/SURR assembly CN13
(To page 10)



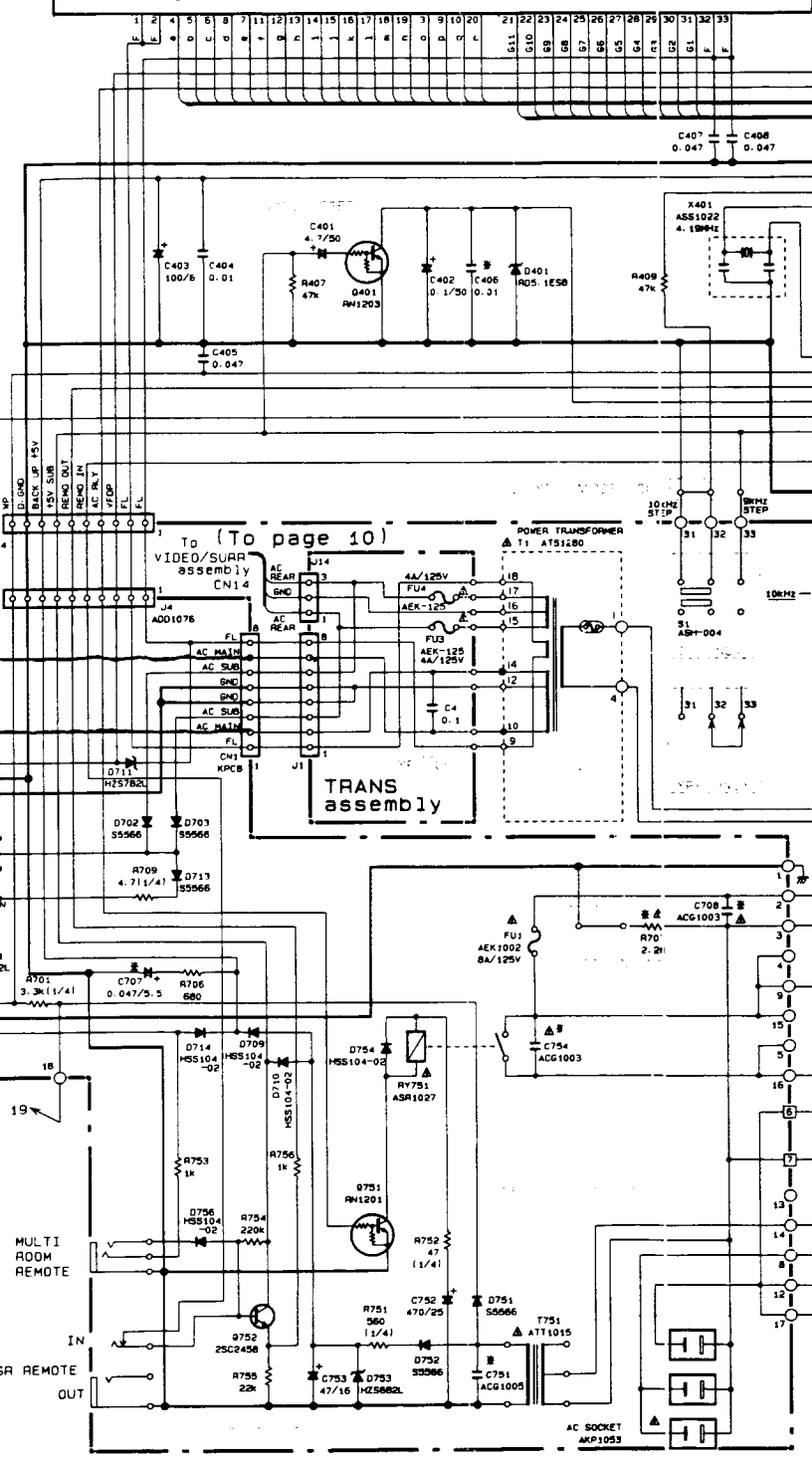
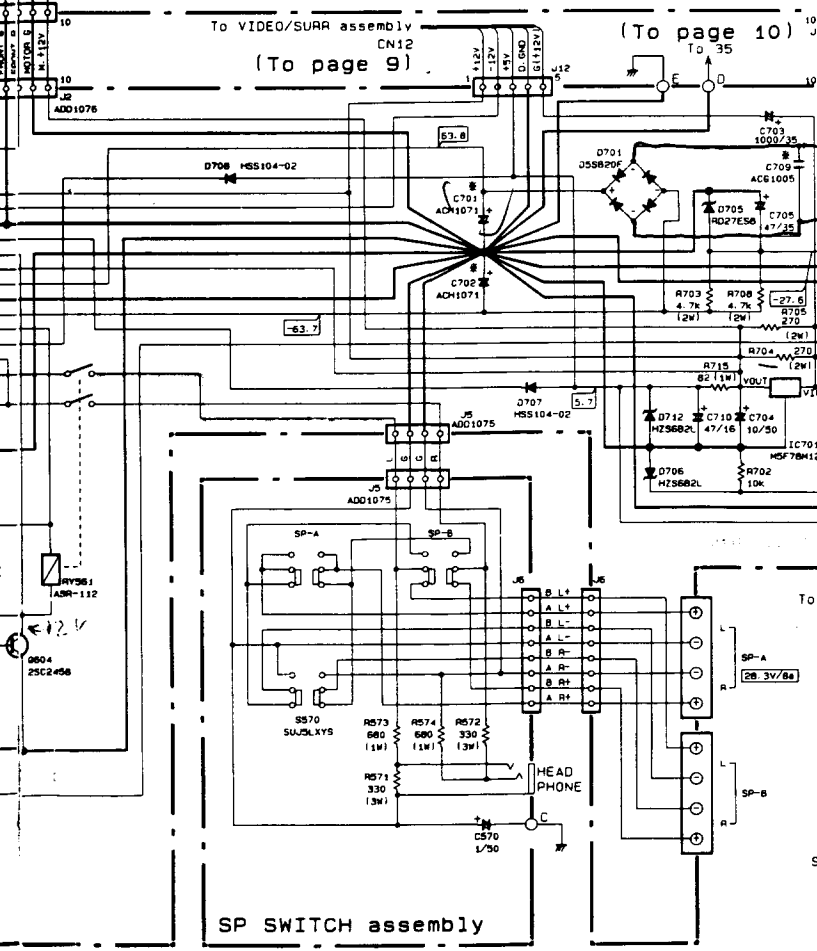
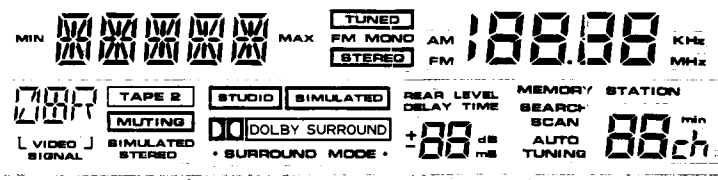
STOP

STOP



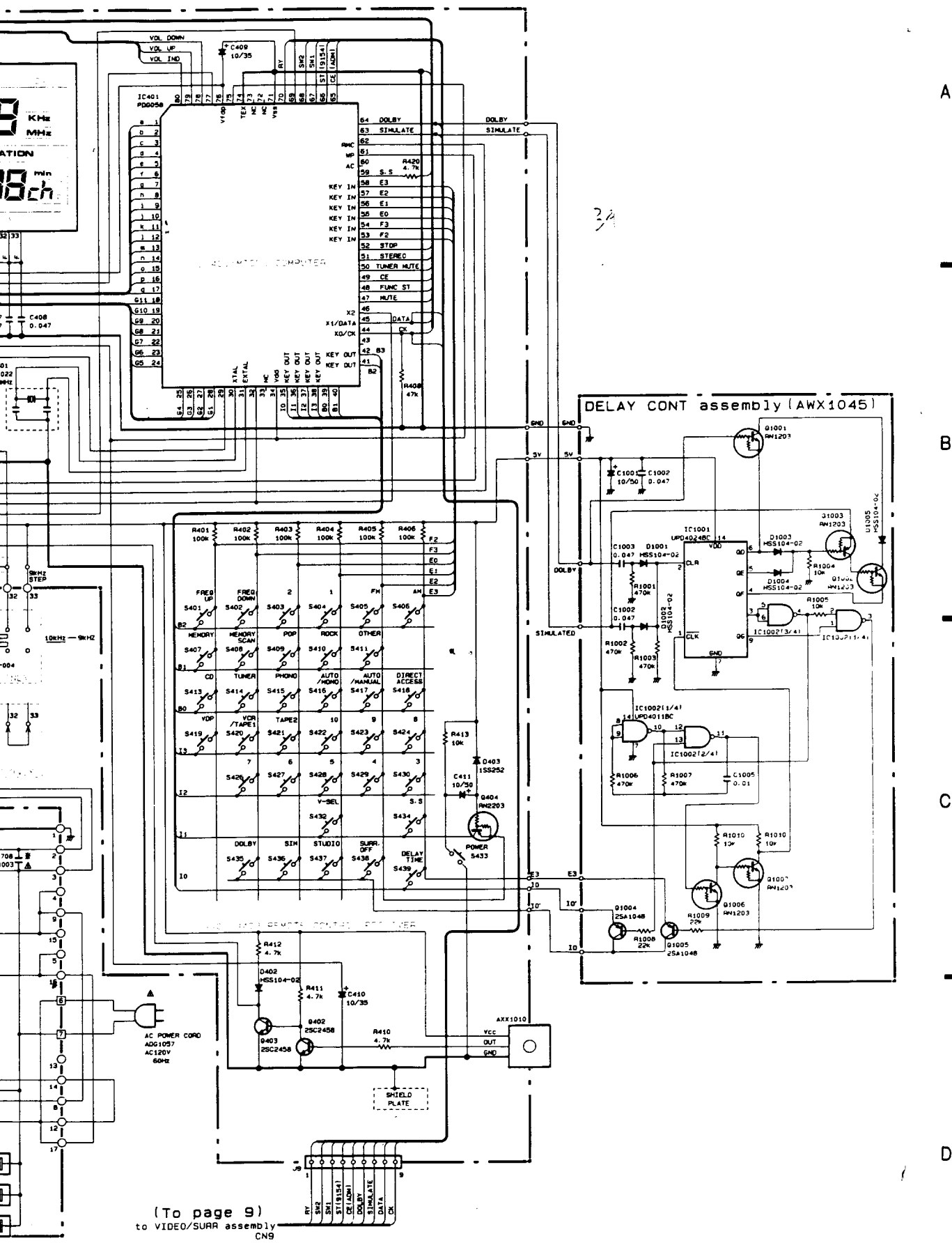
CONTROL assembly (AWZ2990)

V401 AAV1096



SP SWITCH assembly

TRANS assembly



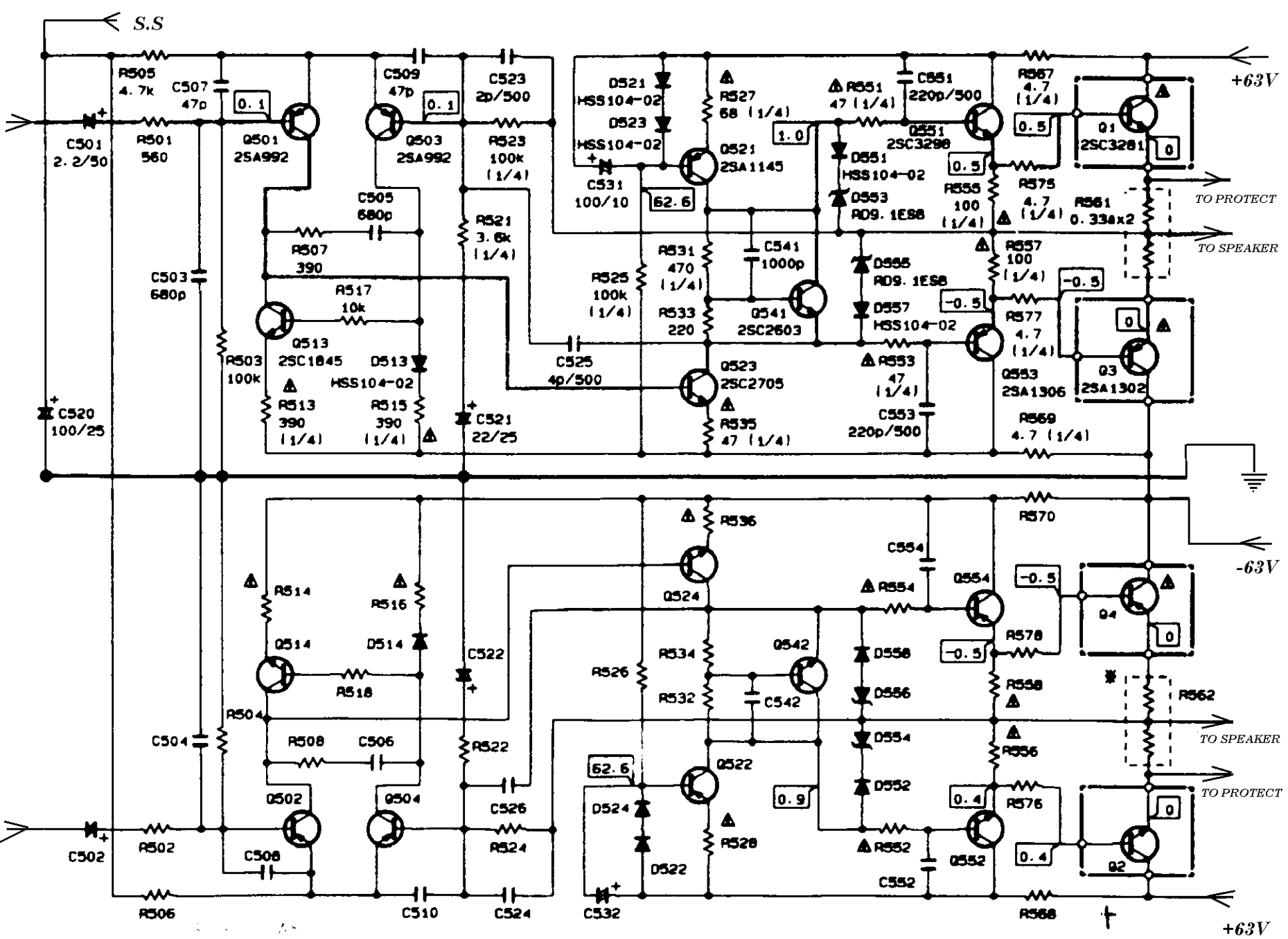
(To page 9)
to VIDEO/SURR assembly
CN9

A

B

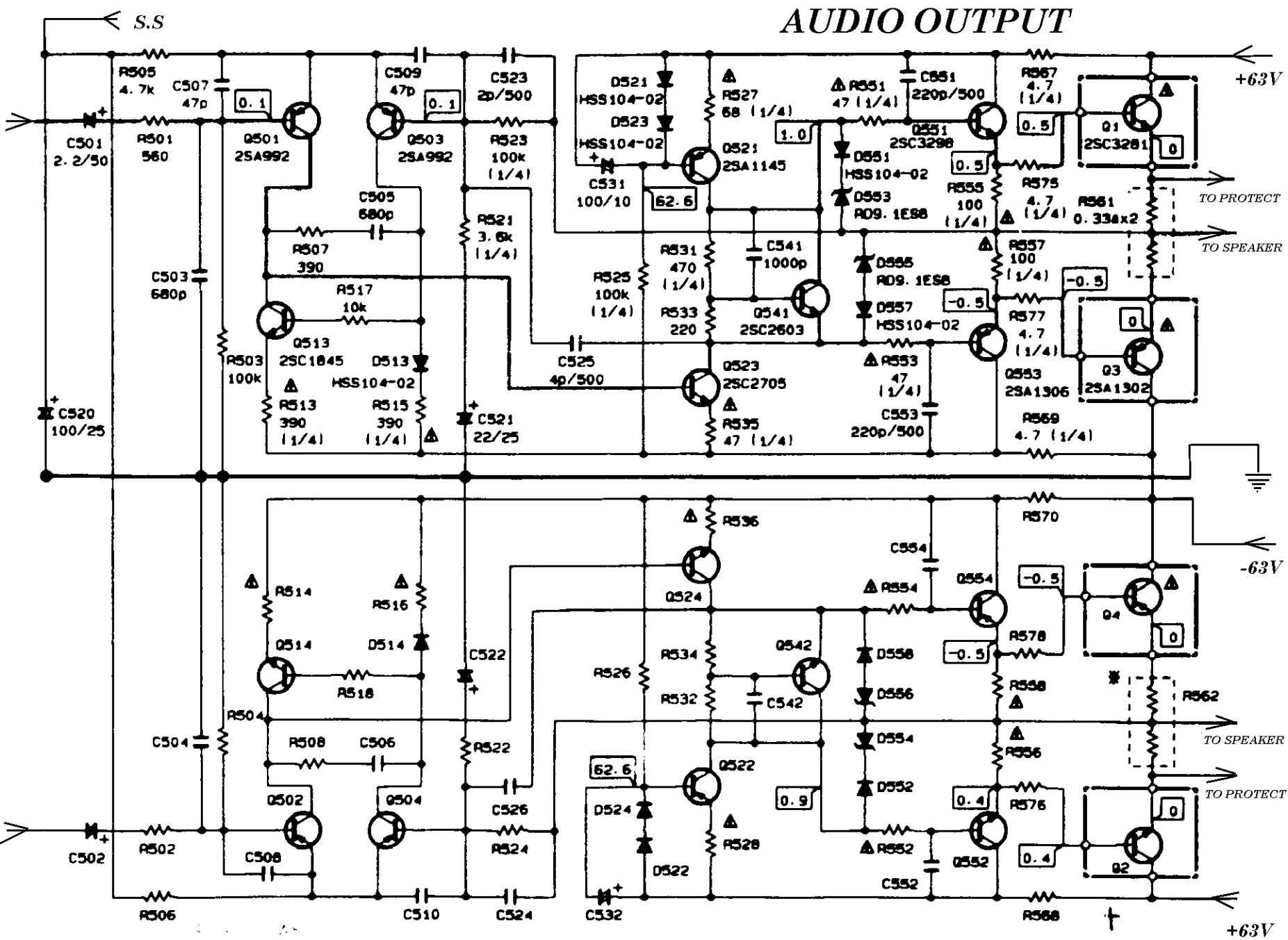
C

D

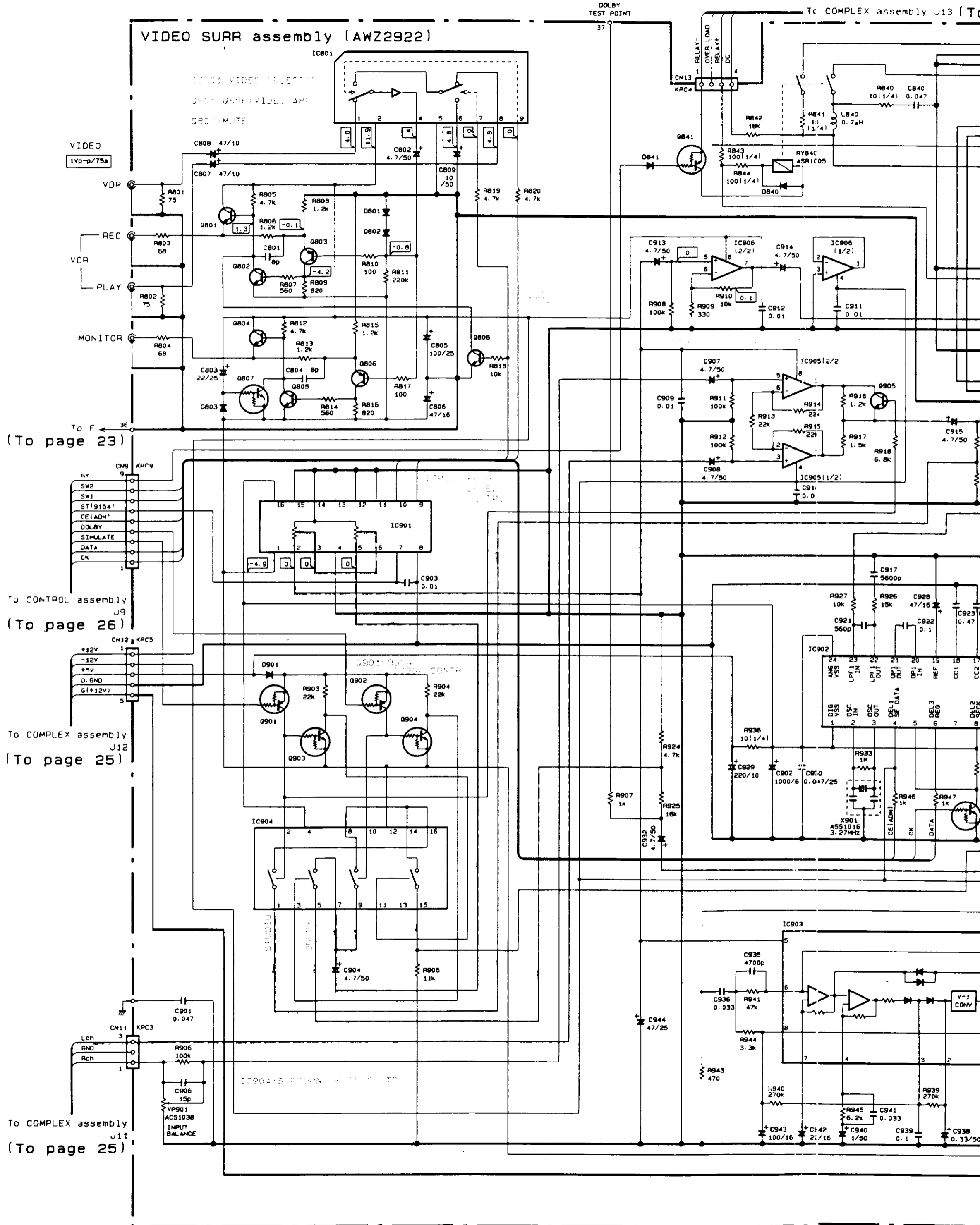


+63V

AUDIO OUTPUT



VIDEO SURR assembly (AWZ2922)

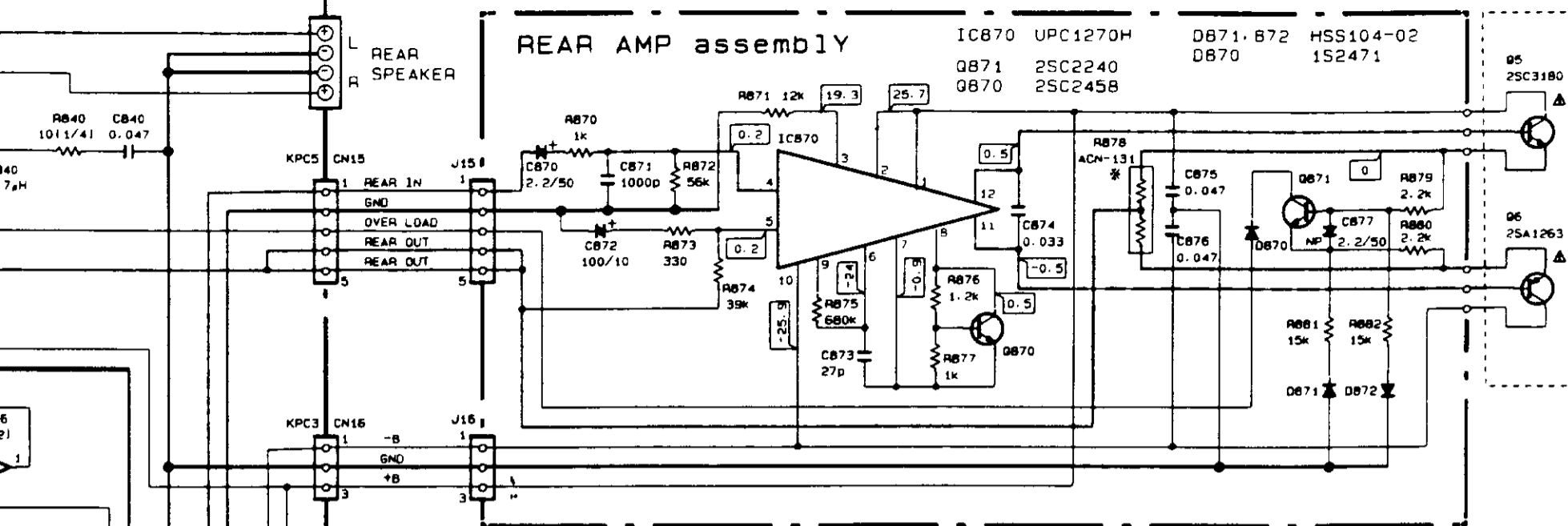


To F 36
(To page 23)

To CONTROL assembly
J9
(To page 26)

To COMPLEX assembly
J12
(To page 25)

To COMPLEX assembly
J11
(To page 25)



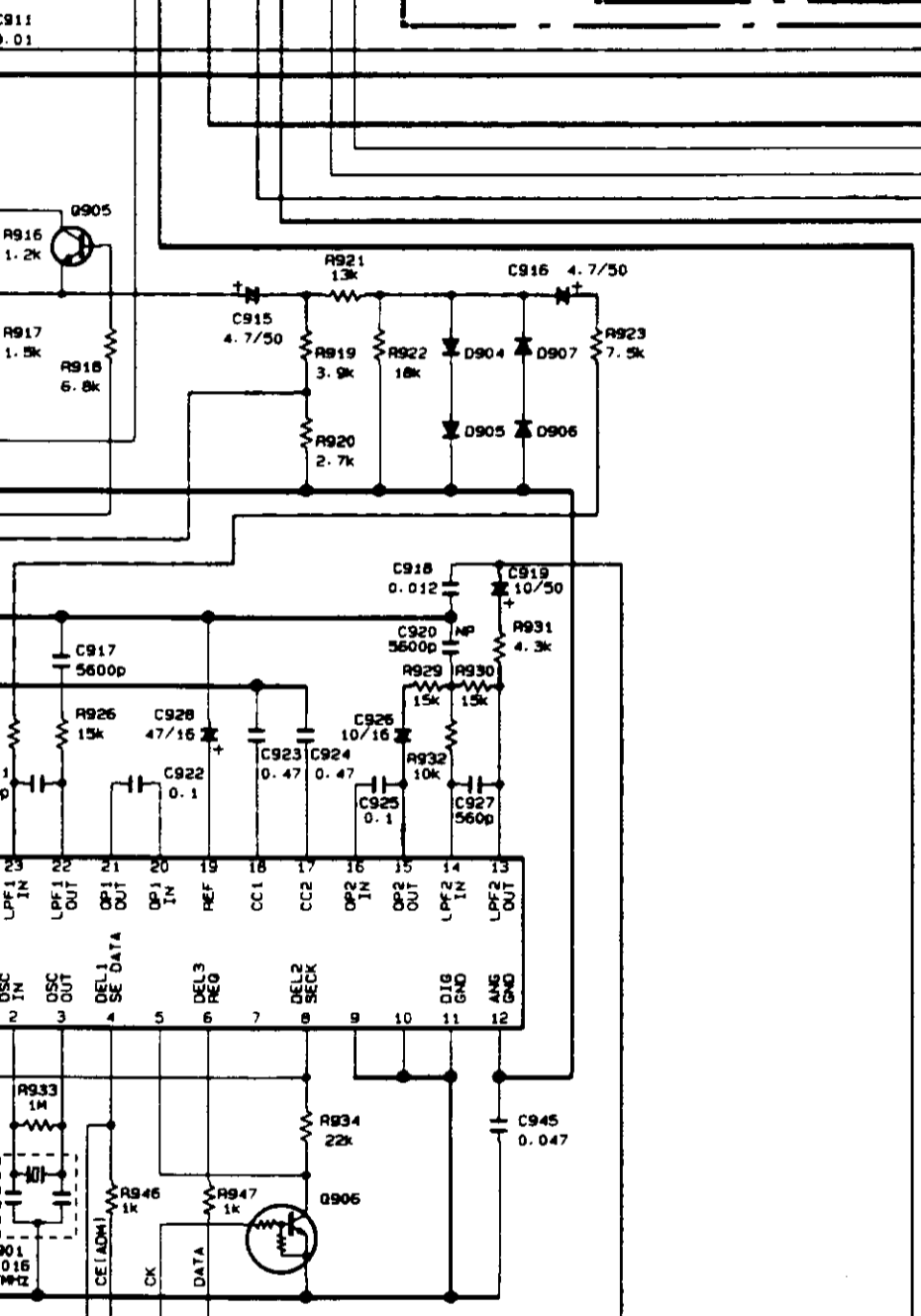
REAR AMP assembly

- IC870 UPC1270H
- Q871 2SC2240
- Q870 2SC2458
- D871, D872 HSS104-02
- D870 1S2471

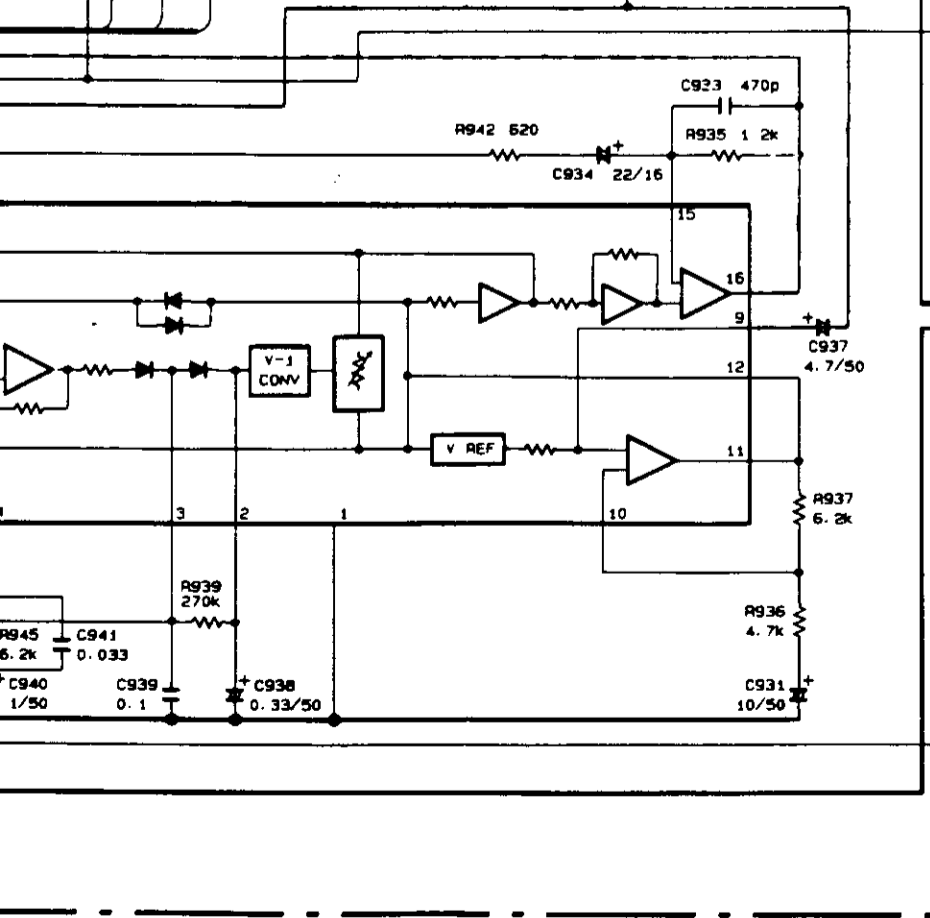
- IC904
- IC903
- IC902
- IC801
- IC905, IC906
- IC901
- IC860
- BU4066BL
- LA2730
- M50198P
- NJM2253S
- NJM4558DXP
- TC9154AP
- UPC79M12H
- Q841
- Q807, 903, 904, 906
- Q901, 902
- Q803, 806
- Q905
- Q801, 802, 804, 805
- Q808
- D801-803, 840, 841, 854
- Q901, 904-907
- D860-863
- AN1201
- AN1203
- AN2203
- 2SA1048
- 2SC1740S
- 2SC2458
- 2SC2878
- HSS104-02
- HZ55ALL
- 10E2FD

To MOTOR VOL assembly
J10
(To page 24)

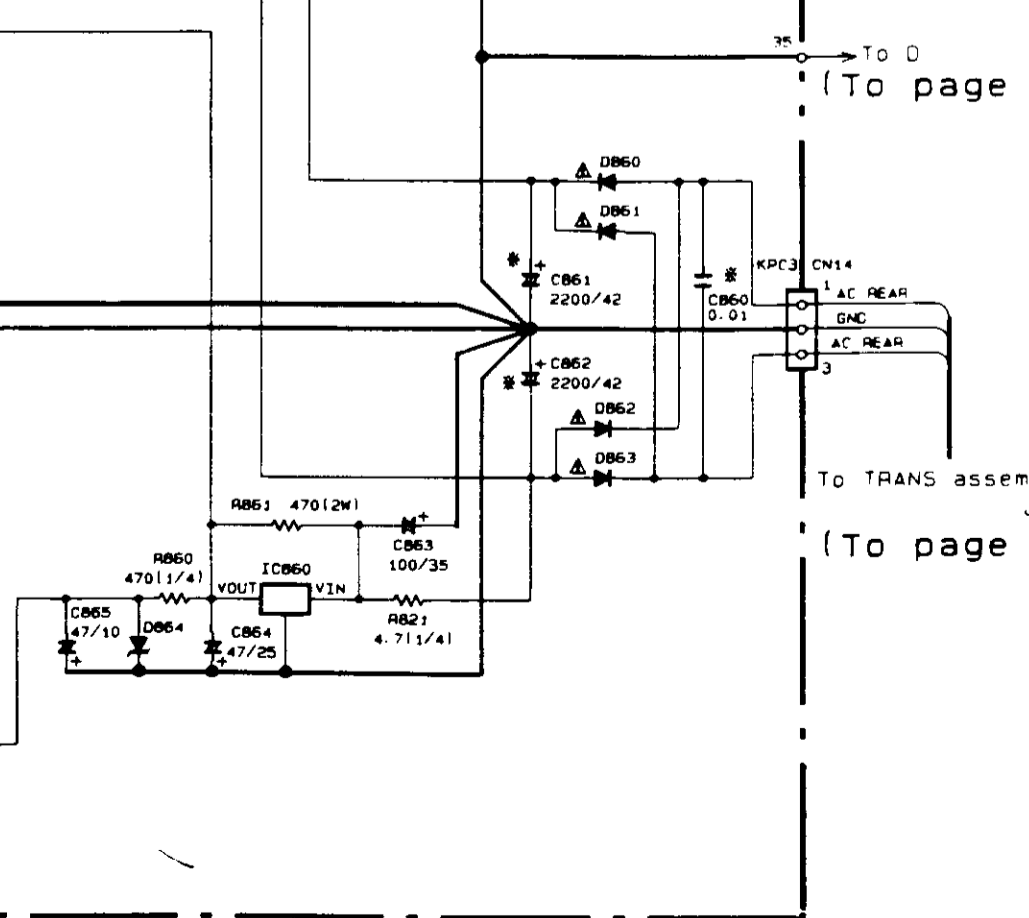
MAIN SIGNAL
REAR SIGNAL
AM SIGNAL



To D
(To page 25)



To TRANS assembly
J14
(To page 26)



A

B

C

D