

RADIOLA 311 (1931)

$C_1 = 200 \text{ pF}$, $C_2 = 50 \text{ pF}$, $C_3 = C_4 = 0,65/100$ à diélectrique solide dit "mica" de même que $C_7 = 0,25/1 \text{ 000}$,

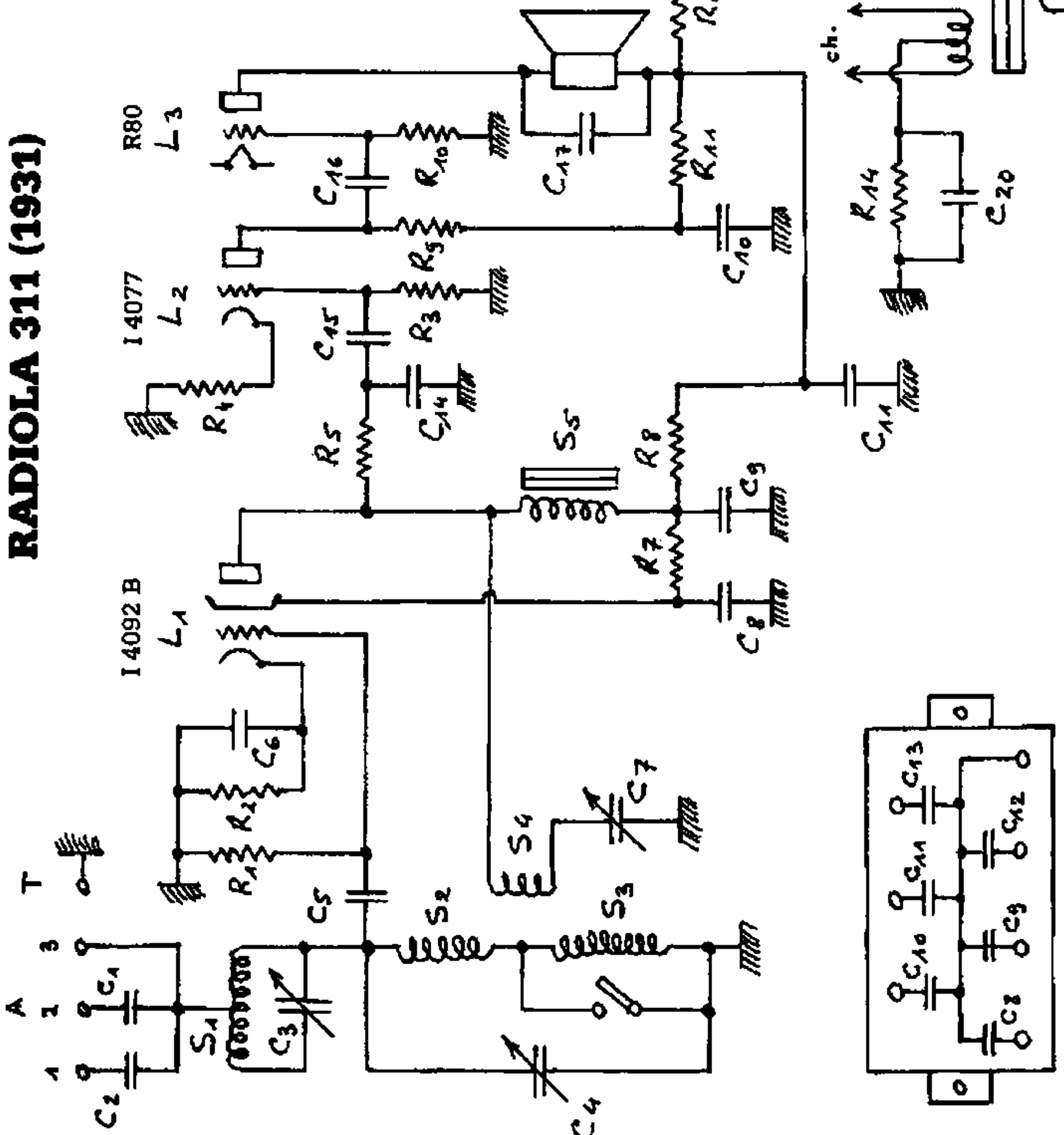
$C_5 = 100 \text{ pF}$, $C_6 = 10 \text{ nF}$, $C_8 = 0,5 \text{ }\mu\text{F}$, $C_9 = 1 \text{ }\mu\text{F}$ (0,47 μF)

$C_{10} = 1 \text{ }\mu\text{F}$ (0,47 μF), $C_{11} = 2 \text{ }\mu\text{F}$ (10 μF), $C_{12} = 2 \text{ }\mu\text{F}$ (10 μF)

$C_{13} = 2 \text{ }\mu\text{F}$ (10 μF), $C_{14} = 200 \text{ pF}$, $C_{15} = 10 \text{ nF}$, $C_{16} = 1,5 \text{ nF}$, $C_{17} = 3,3 \text{ nF}$, $C_{18} = C_{19} = 10 \text{ nF}$, $C_{20} = 47 \text{ }\mu\text{F}/50 \text{ v}$.

$R_1 = 2 \text{ M}\Omega$, $R_2 = 200 \text{ }\Omega$, $R_3 = 0,3 \text{ M}\Omega$, $R_4 = 500 \text{ }\Omega$,

$R_5 = 40 \text{ k}\Omega$, $R_6 = 0,5 \text{ M}\Omega$ (sur certains modèles, parallèle à S_5), $R_7 = 0,5 \text{ M}\Omega$, $R_8 = 40 \text{ k}\Omega$, $R_9 = 20 \text{ k}\Omega$, $R_{10} = 0,3 \text{ M}\Omega$, $R_{11} = 20 \text{ k}\Omega$, $R_{12} = R_{13} = 1,5 \text{ k}\Omega$, $R_{14} = 1,5 \text{ k}\Omega$



$C_8 = C_9 = C_{10} = 0,5 \text{ }\mu\text{F}/600 \text{ v}$
 $C_{11} = C_{12} = C_{13} = 10 \text{ }\mu\text{F}/450 \text{ v}$

$S_1 = 2 \text{ }\Omega$, $S_2 = 1,5 \text{ }\Omega$, $S_3 = 8 \text{ }\Omega$, $S_4 = 4,5 \text{ }\Omega$
 $S_5 = 7 \text{ 000 }\Omega$, HP = 1 000 Ω .

Ned. Ver. v. Historie v/d Radio

