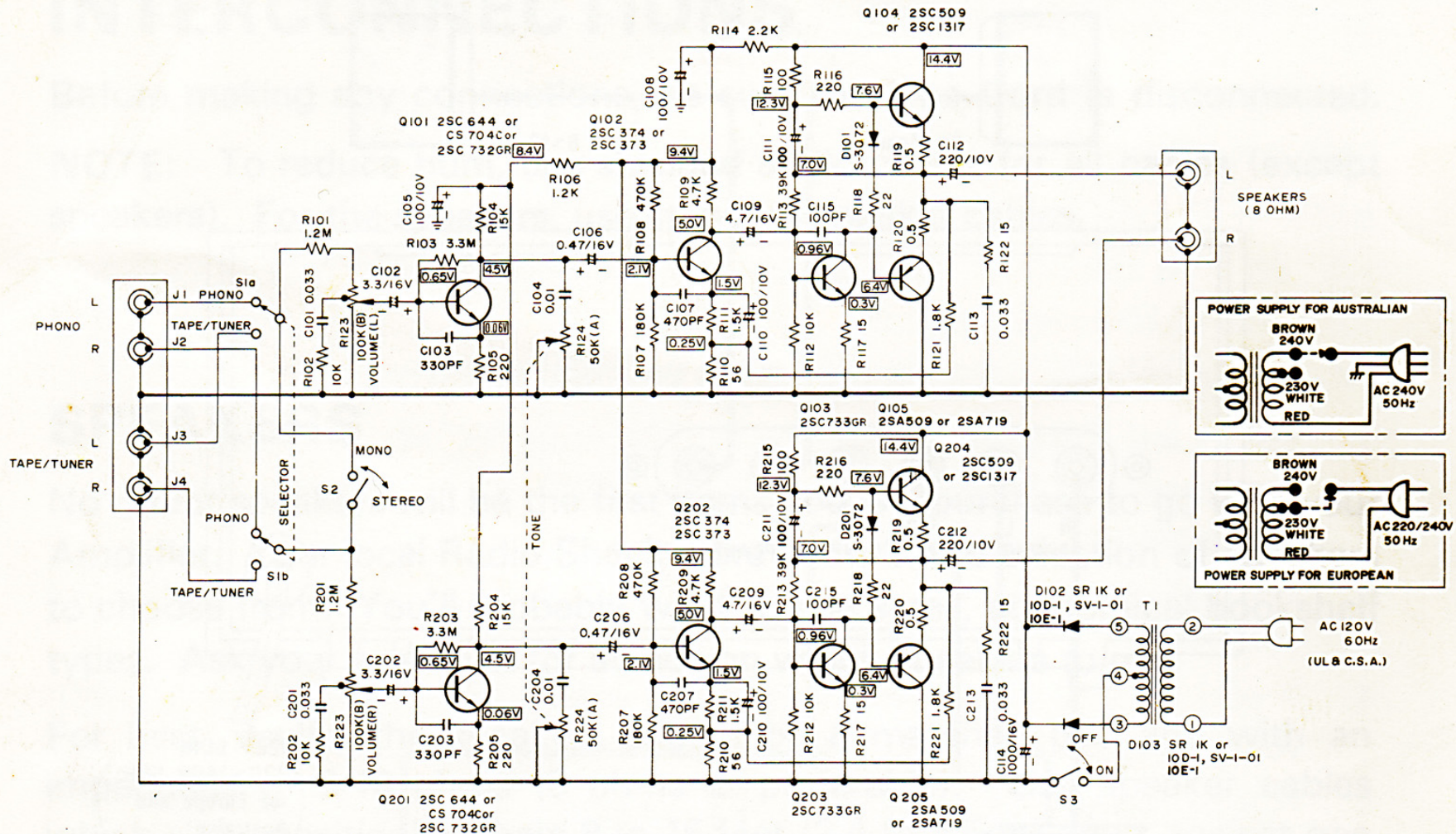


# SCHEMATIC DIAGRAM



## NOTES

- (1) ALL RESISTANCE VALUES ARE INDICATED IN OHMS (K=10<sup>3</sup> OHMS)
- (2) ALL CAPACITANCE VALUES ARE INDICATED IN  $\mu$ F (P=10<sup>6</sup>  $\mu$ F)
- (3) ALL VOLTAGE VALUES ARE INDICATED IN VOLT AT NO SIGNAL, MEASURED WITH V. T. V. M.