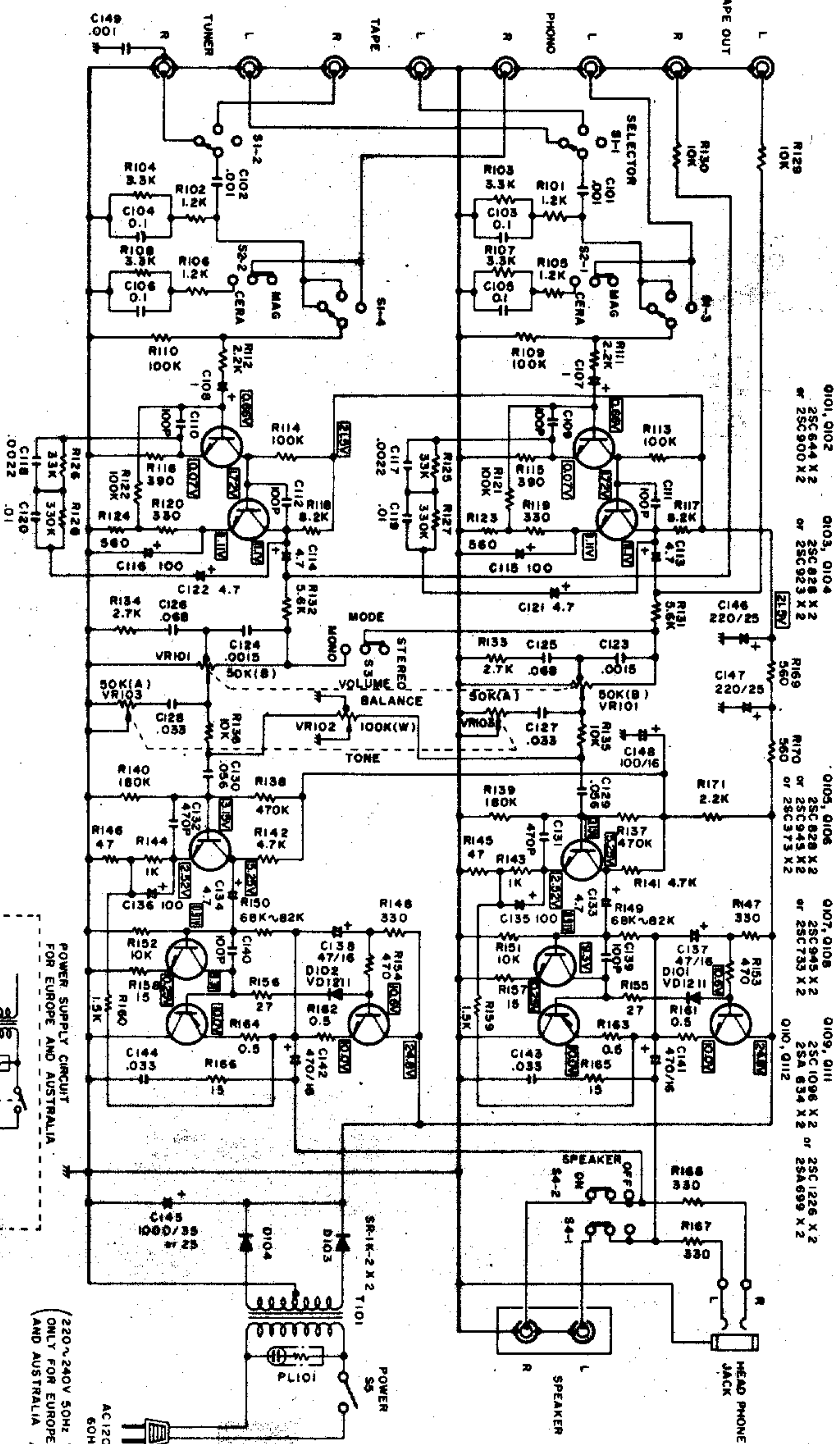


SCHEMATIC



- Q101, Q102 25C644 X 2
- Q103, Q104 25C828 X 2
- Q105, Q106 25C828 X 2
- Q107, Q108 25C945 X 2
- Q109, Q111 25C1096 X 2
- R129 10K
- R169 560
- R170 560
- R171 2.2K
- R181 5.6K
- R193 470
- R194 470
- R195 27
- R196 15K
- R197 15K
- R198 470
- R199 470
- R200 470
- R201 470
- R202 470
- R203 470
- R204 470
- R205 470
- R206 470
- R207 470
- R208 470
- R209 470
- R210 470
- R211 470
- R212 470
- R213 470
- R214 470
- R215 470
- R216 470
- R217 470
- R218 470
- R219 470
- R220 470
- R221 470
- R222 470
- R223 470
- R224 470
- R225 470
- R226 470
- R227 470
- R228 470
- R229 470
- R230 470
- R231 470
- R232 470
- R233 470
- R234 470
- R235 470
- R236 470
- R237 470
- R238 470
- R239 470
- R240 470
- R241 470
- R242 470
- R243 470
- R244 470
- R245 470
- R246 470
- R247 470
- R248 470
- R249 470
- R250 470
- R251 470
- R252 470
- R253 470
- R254 470
- R255 470
- R256 470
- R257 470
- R258 470
- R259 470
- R260 470
- R261 470
- R262 470
- R263 470
- R264 470
- R265 470
- R266 470
- R267 470
- R268 470
- R269 470
- R270 470
- R271 470
- R272 470
- R273 470
- R274 470
- R275 470
- R276 470
- R277 470
- R278 470
- R279 470
- R280 470
- R281 470
- R282 470
- R283 470
- R284 470
- R285 470
- R286 470
- R287 470
- R288 470
- R289 470
- R290 470
- R291 470
- R292 470
- R293 470
- R294 470
- R295 470
- R296 470
- R297 470
- R298 470
- R299 470
- R300 470
- C101 20K
- C102 20K
- C103 0.1
- C104 0.1
- C105 0.1
- C106 0.1
- C107 1
- C108 1
- C109 100
- C110 100
- C111 100
- C112 100
- C113 4.7
- C114 4.7
- C115 100
- C116 100
- C117 0.0022
- C118 0.01
- C119 0.01
- C120 0.01
- C121 4.7
- C122 4.7
- C123 0.0015
- C124 0.0015
- C125 0.0015
- C126 0.0015
- C127 0.0015
- C128 0.0015
- C129 0.0015
- C130 0.0015
- C131 0.0015
- C132 0.0015
- C133 0.0015
- C134 0.0015
- C135 100
- C136 100
- C137 47/16
- C138 47/16
- C139 47/16
- C140 47/16
- C141 470/16
- C142 470/16
- C143 470/16
- C144 470/16
- C145 470/16
- C146 220/25
- C147 220/25
- C148 100/16
- C149 100/16
- C150 100/16
- C151 100/16
- C152 100/16
- C153 100/16
- C154 100/16
- C155 100/16
- C156 100/16
- C157 100/16
- C158 100/16
- C159 100/16
- C160 100/16
- C161 100/16
- C162 100/16
- C163 100/16
- C164 100/16
- C165 100/16
- C166 100/16
- C167 100/16
- C168 100/16
- C169 100/16
- C170 100/16
- C171 100/16
- C172 100/16
- C173 100/16
- C174 100/16
- C175 100/16
- C176 100/16
- C177 100/16
- C178 100/16
- C179 100/16
- C180 100/16
- C181 100/16
- C182 100/16
- C183 100/16
- C184 100/16
- C185 100/16
- C186 100/16
- C187 100/16
- C188 100/16
- C189 100/16
- C190 100/16
- C191 100/16
- C192 100/16
- C193 100/16
- C194 100/16
- C195 100/16
- C196 100/16
- C197 100/16
- C198 100/16
- C199 100/16
- C200 100/16

NOTES
 1. RESISTANCE VALUES ARE INDICATED IN OHMS (K=10³ OHM, M=10⁶ OHM)
 2. CAPACITANCE VALUES ARE INDICATED IN μFD (P=μμFD)
 3. VOLTAGE VALUES ARE INDICATED IN VOLTS AT NO SIGNAL,
 MEASURED WITH V.T.V.M.

POWER SUPPLY CIRCUIT
 FOR EUROPE AND AUSTRALIA

(220~240V 50Hz
 ONLY FOR EUROPE
 AND AUSTRALIA)

PHONO