

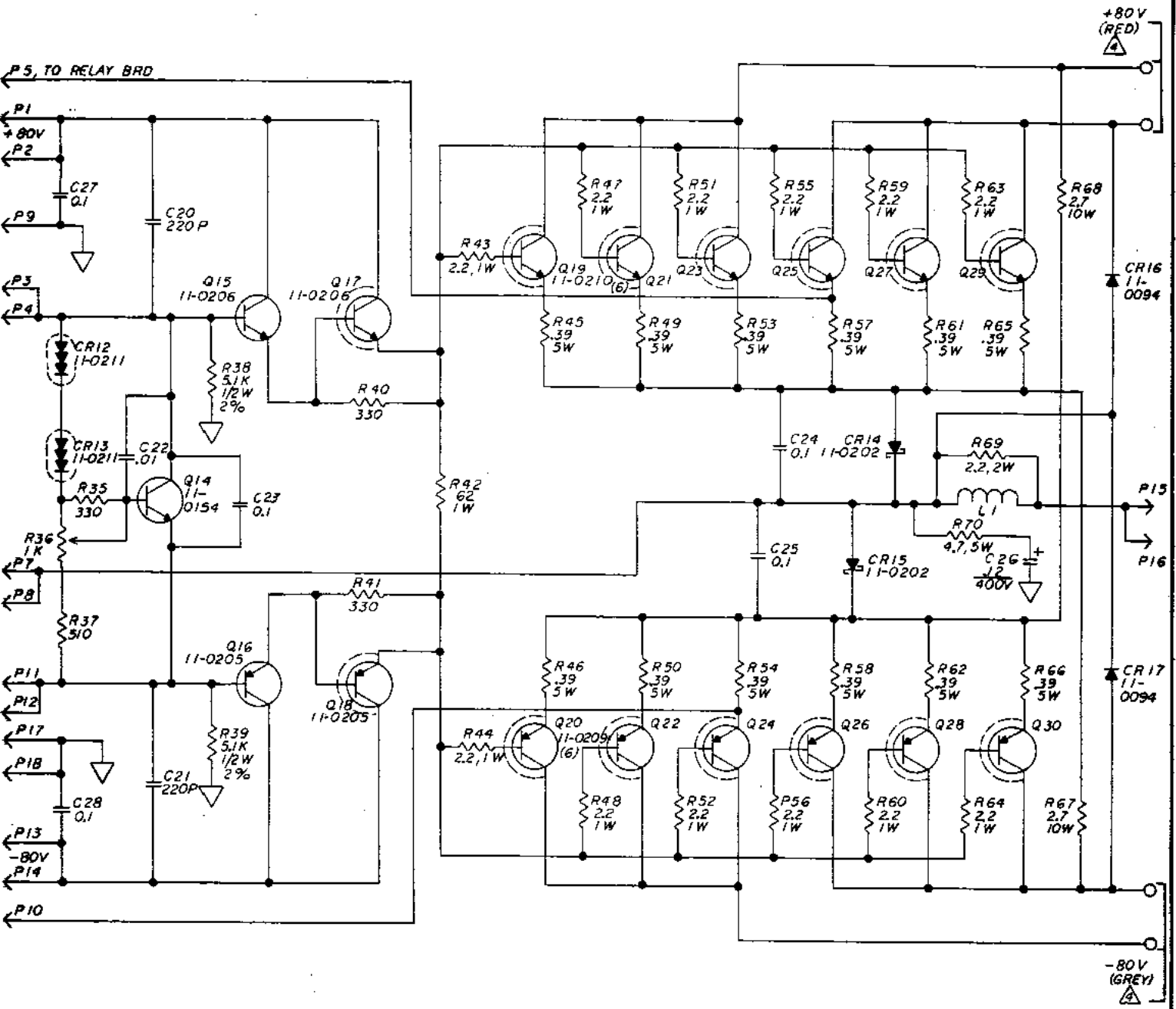
6. VOLTAGES ARE  $\pm 10\%$  AT 120 VAC LINE VOLTAGE.  
 5. SCHEMATIC SHOWS "CH A" ONLY, "CH B" IDENTICAL.

4. OUTPUT TRANSISTORS Q19-Q30 ARE CONNECTED IN GROUPS OF THREE DIRECTLY TO APPROPRIATE POWER SUPPLY CAPACITORS VIA "14 GA HARDWIRE BUSSING".

- 3. MF = METAL FILM RESISTOR,
- 2. CAPACITOR VALUES IN MICROFARADS,
- 1. RESISTOR VALUES IN OHMS, 1/4W, 5%.

NOTES UNLESS OTHERWISE SPECIFIED.

REVISIONS				
ZONE	REV.	DESCRIPTION	DATE	APPROVED
	A	REDRAWN	7-4-81	



QTY	PCB	PART OR	CONTRACT NO.	SCHEMATIC	MATERIAL	
REQD	NO.	IDENTIFYING NO.		OR DESCRIPTION	SPECIFICATION	
<b>PARTS LIST</b>						
UNLESS OTHERWISE SPECIFIED DIMENSIONS ARE IN INCHES TOLERANCES ARE: FRACTIONS DECIMALS ANGLES ± .005 ± .001 ±			CONTRACT NO.	 SCIENTIFIC AUDIO ELECTRONICS, INC. 701 E. MADY ST. LOS ANGELES, CALIF. 90008		
MATERIAL			APPROVALS			DATE
FINISH			DRAWN <i>JV</i>			7-4-81
NEXT ASSY			CHECKED <i>DM</i>			7-15-81
USED ON			ISSUED <i>H. Mose</i>	7-15-81	SIZE PCB NO.	
APPLICATION			DO NOT SCALE DRAWING	DWG. NO.	REV. A	
					SCALE	