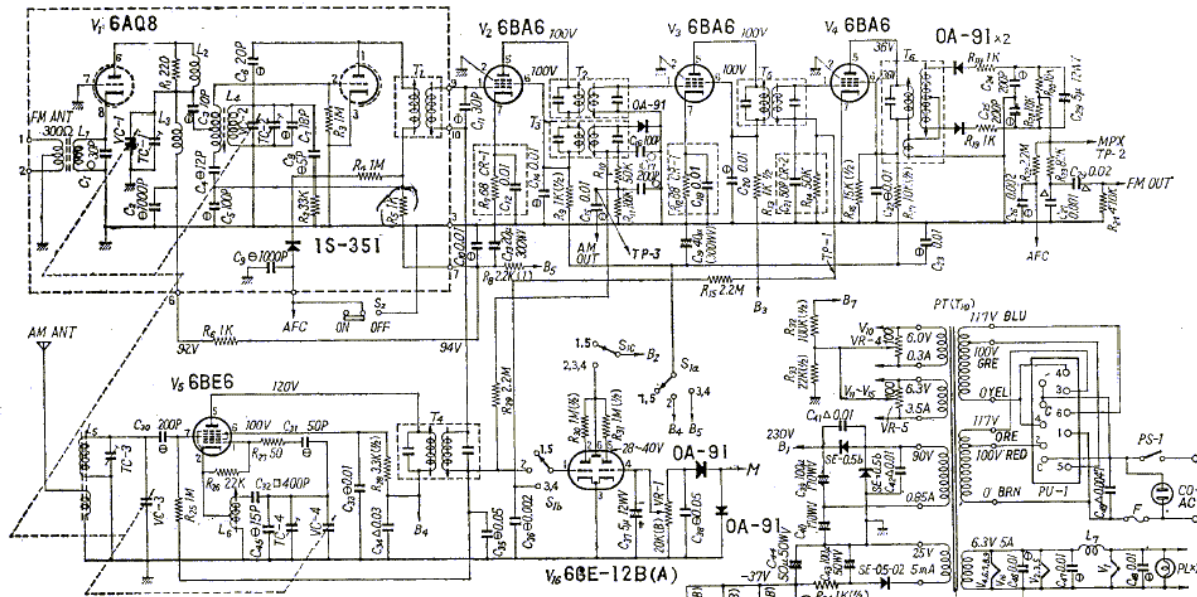


# SCHEMATIC DIAGRAM



FUNCTION  
 S<sub>1</sub> (a-b) PHONO  
 MW  
 FM  
 FM-STEREO  
 S<sub>1</sub> AUX

AFC  
 1 OFF  
 2 ON

TAPE MON  
 S<sub>2</sub> (a-b)  
 1 STEREO  
 2 MONO

LOUDNESS  
 S<sub>3</sub> (a-b)  
 1 STEREO  
 2 MONO

NOISE FILTER  
 S<sub>4</sub> (a-b)  
 1 OFF  
 2 ON

SPEAKER  
 S<sub>5</sub> (a-b)  
 1 ON  
 2 OFF

△ OIL  
 □ MICA  
 ● MYLAR  
 ○ CERAMIC

LAST	
R <sub>117</sub>	C <sub>124</sub>

