

SERVICE MANUAL

AUDIO PROGRAM TIMER

SANSUI AT-700



NOTE

AT-700 is additional model which external appearances are different from those of AT-202.

This manual contains **OTHER PARTS LIST**, **PACKING LIST** and **ACCESSORY LIST** in which changed parts are printed with bold-face.

For other parts list, refer to AT-202 service manual previously issued.

•SPECIFICATIONS

Clock type.....	12-hour digital clock
Display accuracy.....	Max. ± 10 sec monthly error (synchronization with AC power supply)
ON/OFF preset timer	
Preset.....	ON, OFF times can be preset in 1-minute units
Timer accuracy.....	Set time +0.02 sec max.
Sleep timer	Any setting up to 1 hr 59 min in 1-minute units
Time counter	Max. 1 hr 59 min 59 sec, 1-second 1-count system, switching between minutes/seconds and hours/minutes
AC outlets	3; total capacity of 700 watts (EUROPEAN: 550 watts)
Power requirements	110 ~ 120V/220 ~ 240V (50/60 Hz)
For U.S.A. and Canada	
.....	120V (60 Hz)
Power consumption	7 watts
Dimensions	430 mm (16-15/16") W
.....	58 mm (2-5/16") H
.....	143 mm (5-1/16") D
Weight	1.3 kg (2.9 lbs) net
.....	1.7 kg (3.7 lbs) packed

* Design and specifications subject to changes without notice for improvements.

Sansui

SANSUI ELECTRIC CO., LTD.

CAUTION

1. The symbols, UL, CSA, SA, BS, UK, EU, AS, XX <EXPORT> and XX-V <EXPORT(V)> on the parts list and the schematic diagram mean followings respectively.

UL.....	Manufactured for U.S.A market. (Underwriters Laboratories approved model.)
CSA.....	Manufactured for Canadian market.
SA.....	Manufactured for South African market.
BS, UK.....	Manufactured for United Kingdom market.
EU.....	Manufactured for European market.
AS.....	Manufactured for Australian market.
XX <EXPORT>.....	Standard Version with Inner Voltage Selector.
XX-V <EXPORT(V)>....	Standard Version with Outer Voltage Selector.
NON MARK.....	Common Parts.

2. Some printed circuit boards are not supplied as the assembled. To separate these in this service manual, the stock No's are not indicated at the ends of the board names. However, the individual parts on the circuit boards are provided by orders.

3. Since some of capacitors and resistors are omitted from parts lists in this service manual, refer to the Common Parts List for capacitors & resistors, which was issued on February 1983.

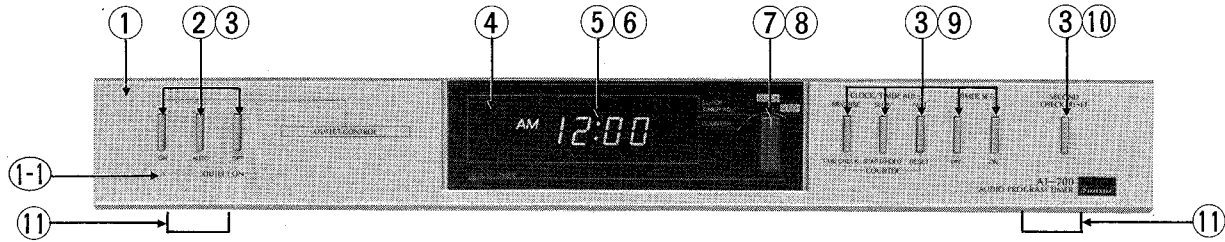
4. Abbreviations in this service manual are as follows.

•Abbreviations List

C.R. : Carbon Resistor	E.B.L. : Low Leak Bi-Polar Electrolytic Capacitor
S.R. : Solid Resistor	Ta.C. : Tantalum Capacitor
Ce.R. : Cement Resistor	F.C. : Film Capacitor
M.R. : Metal Film Resistor	M.P. : Metalized Paper Capacitor
F.R. : Fusing Resistor	P.C. : Polystyrene Capacitor
N.I.R. : Non-Inflammable Resistor	G.C. : Gimmic Capacitor
A.R. : Array Resistor	A.C. : Array Capacitor
C.C. : Ceramic Capacitor	V.R. : Variable Resistor
C.T. : Ceramic Capacitor, Temperature Compensation	S.V.R. : Semi Variable Resistor
E.C. : Electrolytic Capacitor	SW. : Switch
E.L. : Low Leak Electrolytic Capacitor	Chip R. : Chip Resistor
E.B. : Bi-Polar Electrolytic Capacitor	Chip C. : Chip Capacitor

1. OTHER PARTS

1-1. Front View

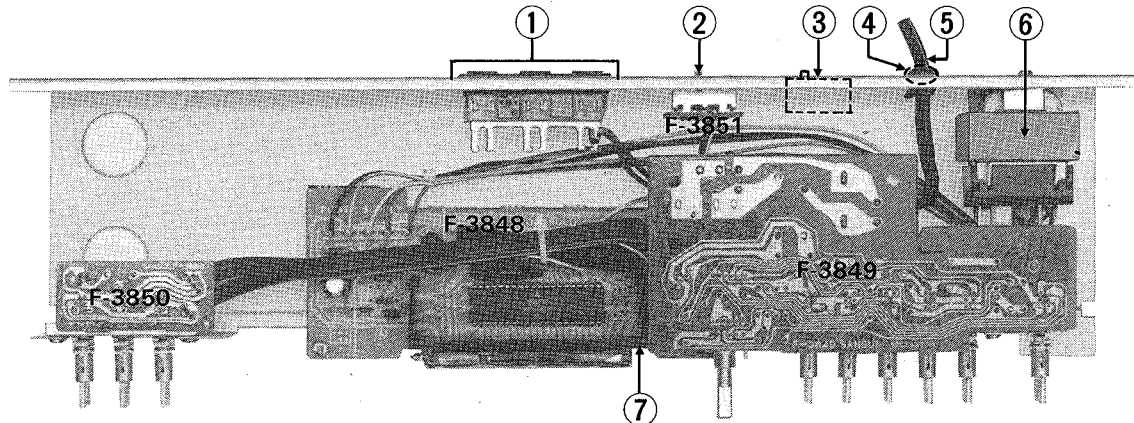


Parts List

Parts No.	Stock No.	Description
1	47882900	Front Panel Ass'y (Silver Model)
	47883000	Front Panel Ass'y (Black Model)
1-1	47012200	Indicator, OUTLET ON
2	46412700	Push SW., Outlet Control
3	47716800	Push Knob (Silver Model)
	07911900	Push Knob (Black Model)
4	47881600	Smoked Cover
5	47025300	Indicator Holder

Parts No.	Stock No.	Description
6	47881500	Color Filter
7	46413700	Rotary SW., function
8	47873900	Knob, function
9	46412800	Push SW., TIMER SET/TIMER COUNTER
10	46412600	Push SW., Outlet Control
11	47080900	Leg

1-2. Top View



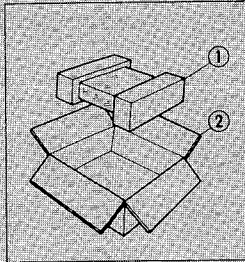
Parts List

Parts No.	Stock No.	Description
1	46360100	AC Outlet (XX, XX-V, UL, CSA)
	46161000	AC Outlet (EU)
	46364800	AC Outlet (BS)
	46580600	AC Outlet (AS)
2	07249800	Slide SW., 50Hz/60Hz
3	07204700	Slide SW., VOLTAGE SELECTOR (XX-V)
4	39106000	Strain Relief (XX, XX-V, UL, CSA)
	39104900	Strain Relief (EU, BS, AS)

Parts No.	Stock No.	Description
5	38004700	Power Supply Cord (XX, XX-V, UL, CSA)
	38004500	Power Supply Cord (EU)
	38004300	Power Supply Cord (BS)
	07204200	Power Supply Cord (AS)
6	15009501	Power Transformer (XX, XX-V)
	15017202	Power Transformer (UL, CSA)
	15009505	Power Transformer (EU, BS, AS)
7	07995400	Display Holder

2. PACKING LIST

Parts No.	Stock No.	Description
1	47013100	Styrofoam Packing
2	47882700	Carton Case (Silver Model) <XX, UL, CSA, EU, BS, AS>
	47882800	Carton Case (Black Model) <XX, UL, CSA, EU, BS, AS>
	47882500	Carton Case (Silver Model) <XX-V>
	47882600	Carton Case (Black Model) <XX-V>



3. ACCESSORY LIST

Stock No.	Description
46969500	Operating Instruction
47026800	Mounting Holder Left Side
47027000	Mounting Holder Right Side
	Power Cord Clamp

Sansui

SANSUI ELECTRIC CO., LTD.
 SANSUI ELECTRONICS CORPORATION
 SANSUI ELECTRONICS (U.K.) LTD.
 SANSUI ELECTRONICS G.M.B.H.

14-1, Izumi 2-chome, Suginami-ku, Tokyo 168 Japan
 PHONE: (03) 324-8891/TELEX: 232-2076 (International Division)
 1250 Valley Brook Ave. Lyndhurst, N.J. 07071 U.S.A.
 17150 South Margay Ave. Carson, California 90746 U.S.A.
 3036 Koapaka Street, Honolulu, Hawaii 96819 U.S.A.
 Unit 10A, Lyon Industrial Estate, Rockware Avenue, Geenford, Middx UB6, OAA, England
 Pau Ehrich Strasse 8, 6074 Rödermark 2, West Germany