

SATIN

Moving Coil Cartridge

Congratulations on your purchase of the SATIN moving-coil cartridge.

If you are using a moving-coil cartridge for the first time, you are going to experience the finest and smoothest sound reproduction available.

If you are replacing another moving-coil cartridge with a SATIN, you will be amazed and pleased by the improvement.

The SATIN moving-coil cartridge is the ultimate result of our advanced technology.

The SATIN is the first and only cartridge to have the following unique features:

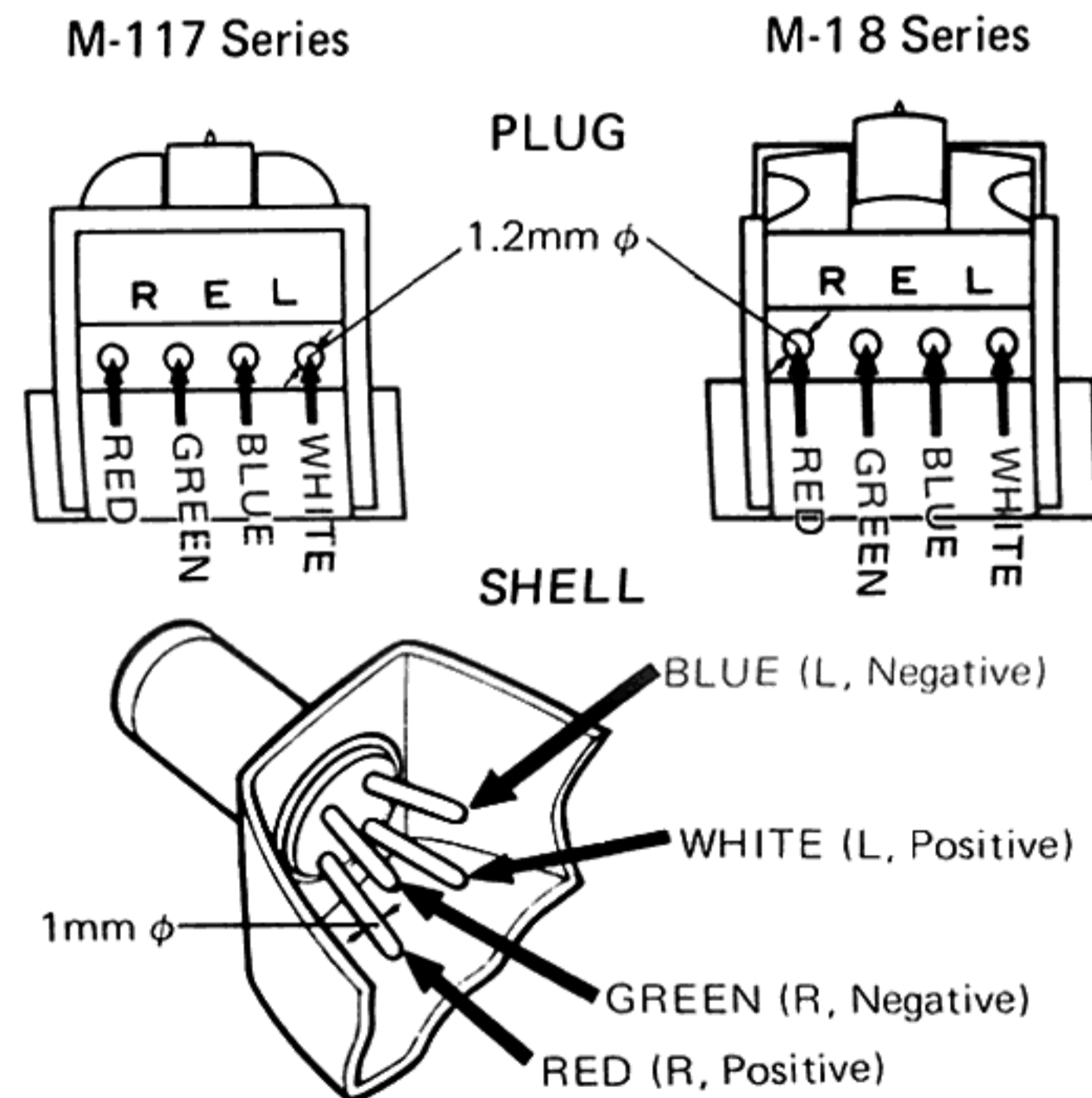
1. No damping rubber or iron core for its coil,
 2. A single point vibrating fulcrum,
 3. The cantilever does not rotate around its axis.
- For best performance of your new cartridge and your total audio system, please read the following instructions carefully.

INSTRUCTIONS

MOUNTING ON THE SHELL

- * Tighten the clamp screws firmly.
- * The cartridge should be mounted in parallel to the length of the shell.
- * Overhang should be properly set according to the instructions given for the arm being used.
- * Cartridge plug is color-coded, and so are accessory lead wires, and should be attached accordingly.
- * For non-European standard shells, follow instructions provided with shell.
- * Accessory lead wires have a clip of 1 mm in diameter on the shell end, and 1.2 mm on the cartridge end. Sizes are engraved on the clip and should be connected accordingly.

(Diagram below shows polarity)



WARNING:

The terminal pins on the cartridge should not be exposed to heat from a soldering iron, nor checked for conductivity by a resistance meter, since damage may result.

ADJUSTING THE ARM *(Also see instructions provided with the arm.)*

- * The arm must be adjusted so that the base of the cartridge is horizontal when the stylus is placed on the record. Tilting to either side will affect the separation of channels.
- * The adjustment is made by placing the accessory protection cover over the stylus, placing the bottom of the cover on the record surface, and correcting the height of the arm until cover bottom lies flat on the record.
The two tiny spherical points on the protection cover are in line with the stylus tip and are useful when adjusting overhang.

TRACKING FORCE

- * The stylus should have the recommended tracking force.
- * More tracking force should be applied if vibration is caused (by either the record or the arm). Although the use of excess force at all times is not recommended, tracking force of up to 2.5 grams can be tolerated.

TURNTABLE

- * Hum may be caused if the turntable is not properly grounded.

RECORD CLEANING

- * Proper cleaning will provide longer life to both records and stylus.
- * Keep the turntable cover closed while a record is being played to prevent dust from settling on the record.

STYLUS TIP CLEANING

- * Dust on the stylus tip may be removed by applying jet air to the sides of the stylus tip by a blower which is available at any camera shop.

STYLUS PROTECTION

- * Do not touch the stylus tip.
- * The stylus is well protected and will not break under normal conditions.
- * Put plastic cover over the stylus when it is not in use.

STYLUS INSPECTION

- * To insure the most precise sound reproduction, inspection of stylus is recommended. A worn stylus will reduce sound quality and damage records.

STYLUS REPLACEMENT

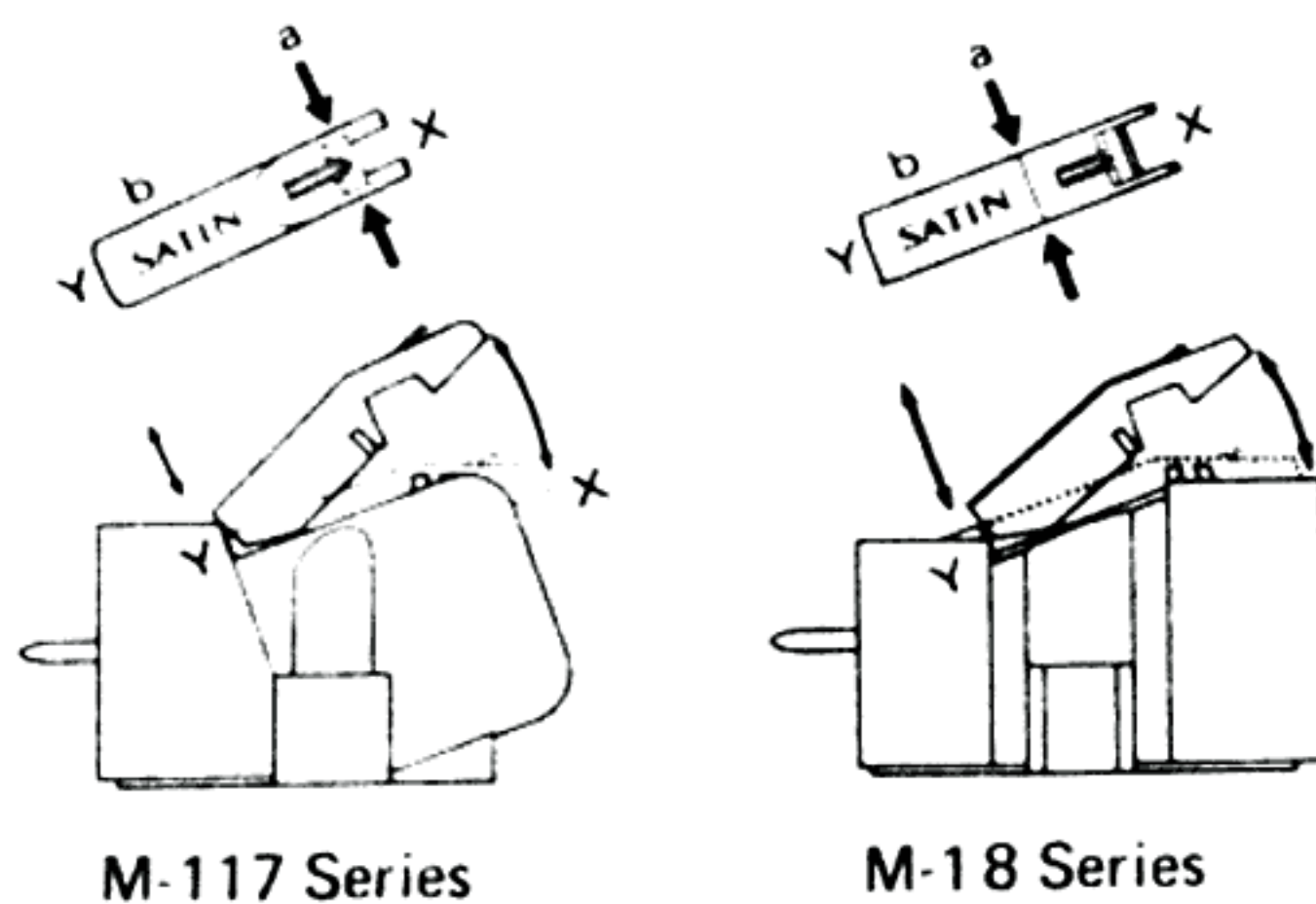
The stylus assembly is fitted into the cartridge by magnetic force. This not only guarantees the perfect fit between the stylus assembly and the cartridge forming a one-piece electrodynamic system, but also allows easy removal of the stylus assembly by fingertips for replacement.

1. Place thumb and index finger on side of stylus assembly being careful not to touch the stylus tip and cantilever (Points "a" in diagram).
2. Gently lift until magnetic force is broken.

MOUNTING NEW STYLUS ASSEMBLY

1. Hold stylus assembly on both sides with thumb and index finger.
2. Lower in direction of arrow placing "Y" end in slot.
3. Gently push on "SATIN" name to assure stylus is firmly in contact with magnet

(Diagram below shows assembly)



M-117 Series

M-18 Series