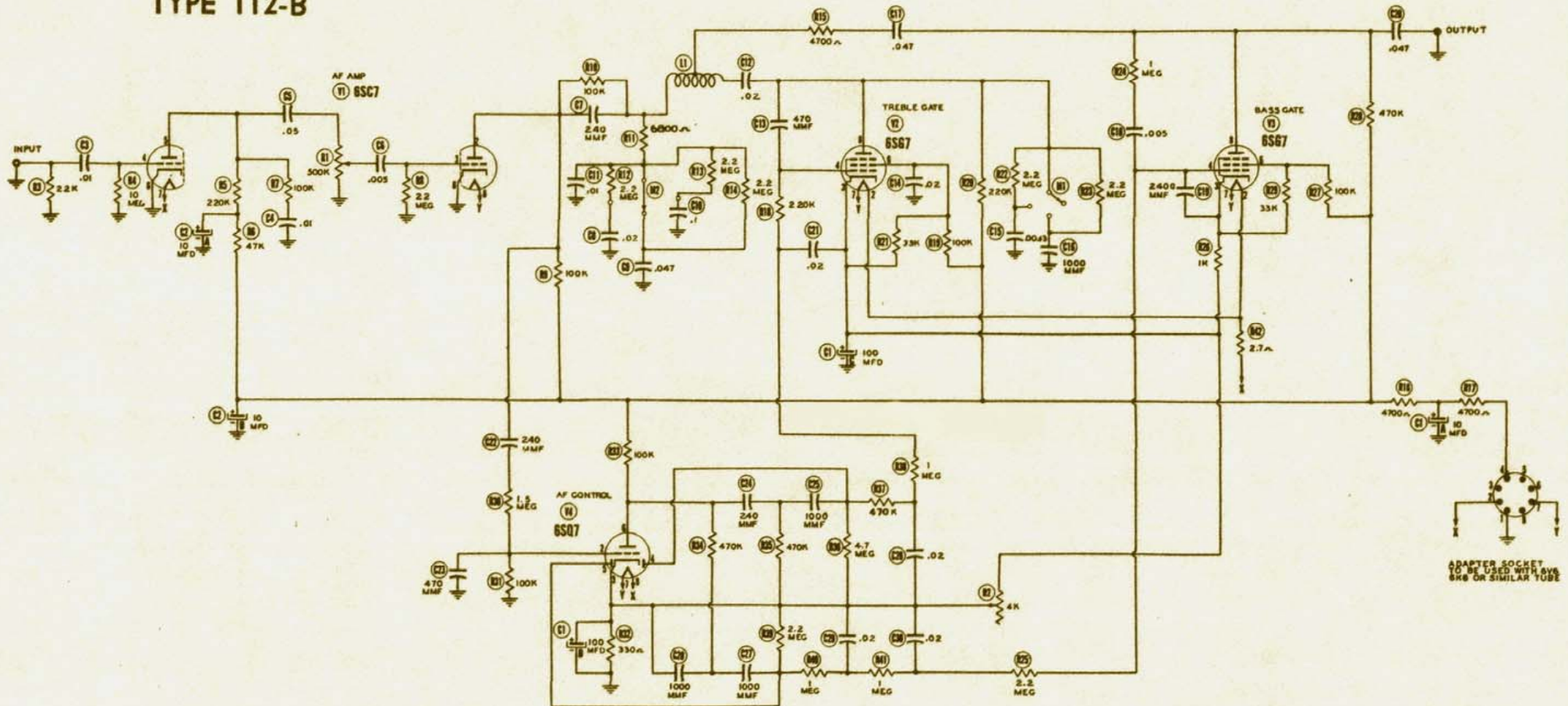


the **DYNAURAL** PREAMPLIFIER

TYPE 112-B



ADAPTER SOCKET TO BE USED WITH 6X4 6X6 OR SIMILAR TUBE

VOLTAGE READINGS

Item	Tube	Pin 1	Pin 2	Pin 3	Pin 4	Pin 5	Pin 6	Pin 7	Pin 8
V 1	6SC7	0V	115VDC	-1.5VDC	-1.4VDC	85VDC	0V	16.5VAC	16.5VAC
V 2	6SQ7	0V	14.8VAC	13VDC	0V	13VDC	85VDC	14.8VAC	105VDC
V 3	6SQ7	0V	14.8VAC	11VDC	0V	11VDC	85VDC	14.8VAC	105VDC
V 4	6SQ7	0V	1.5VDC	0V	1VDC	145VDC	16.5VAC	16.5VAC	

† MEASURED ACROSS FILAMENTS

RESISTANCE READINGS

Item	Tube	Pin 1	Pin 2	Pin 3	Pin 4	Pin 5	Pin 6	Pin 7	Pin 8
V 1	6SC7	0Ω	110KΩ	22Meg	10Meg	1375KΩ	0Ω	41.7Ω	4.0Ω
V 2	6SQ7	0Ω	41.8Ω	4.3KΩ	6.3Meg	4.3KΩ	37KΩ	41.7Ω	1220KΩ
V 3	6SQ7	0Ω	41.8Ω	5.3KΩ	5.4Meg	5.3KΩ	38KΩ	41.7Ω	147KΩ
V 4	6SQ7	0Ω	100KΩ	250Ω	4.7Meg	2.2Meg	110KΩ	41.7Ω	4.0Ω

† MEASURED FROM PIN 4 OF ADAPTER PLUG.
 ‡ MEASURED FROM PIN 5 OF ADAPTER PLUG.

THE COOPERATION OF THE MANUFACTURERS OF THIS EQUIPMENT MAKES IT POSSIBLE TO BRING YOU THIS SERVICE

A PHOTOFAC STANDARD NOTATION SCHEMATIC
 © Howard W. Sams & Co., Inc. 1951

HERMON HOSMER SCOTT, INC.
 385 Putnam Avenue Cambridge, Massachusetts