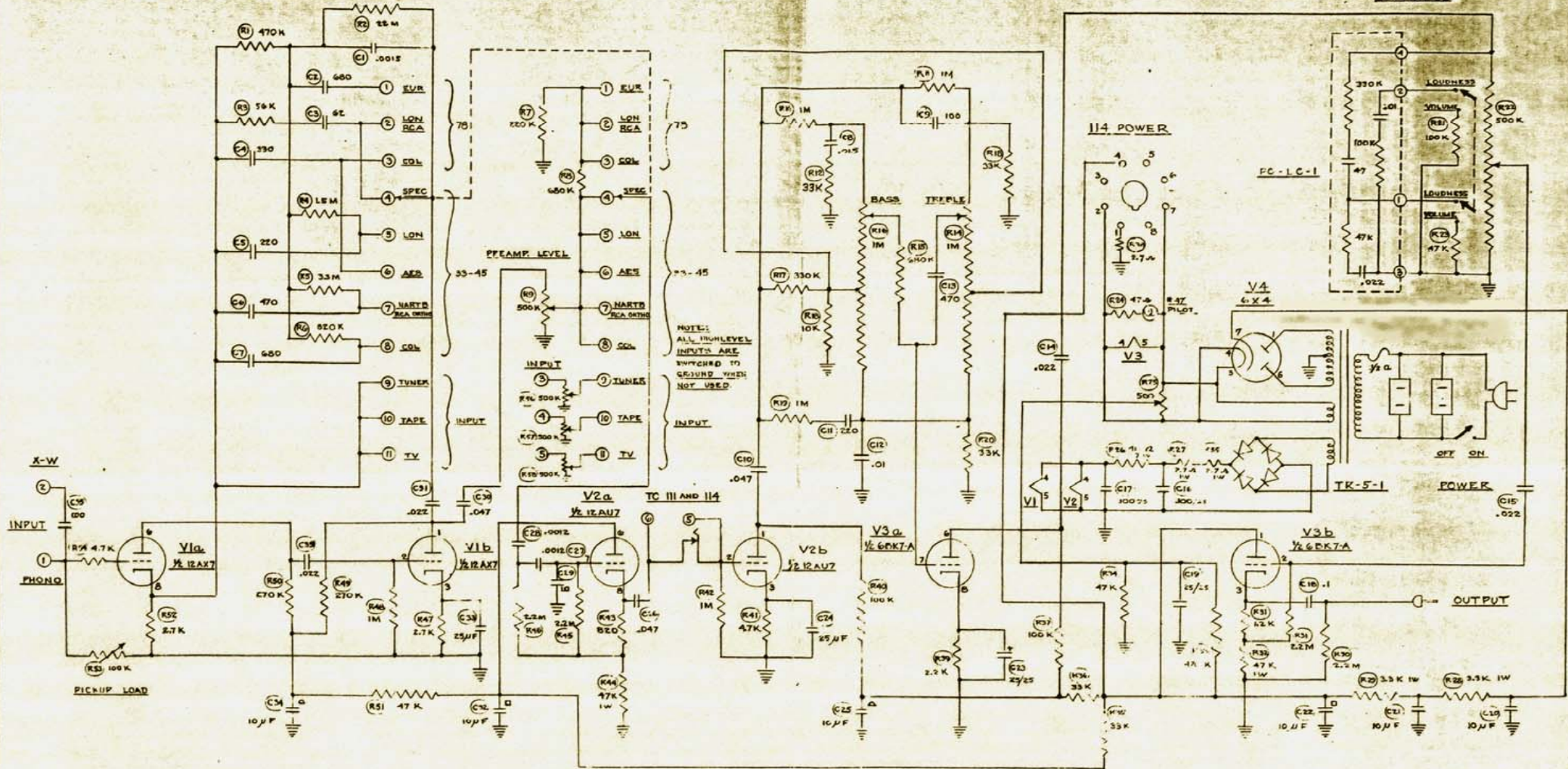


RECORD COMPENSATOR

LOUDNESS



TYPE 120-CP EQUALIZER PREAMPLIFIER  
CIRCUIT DIAGRAM