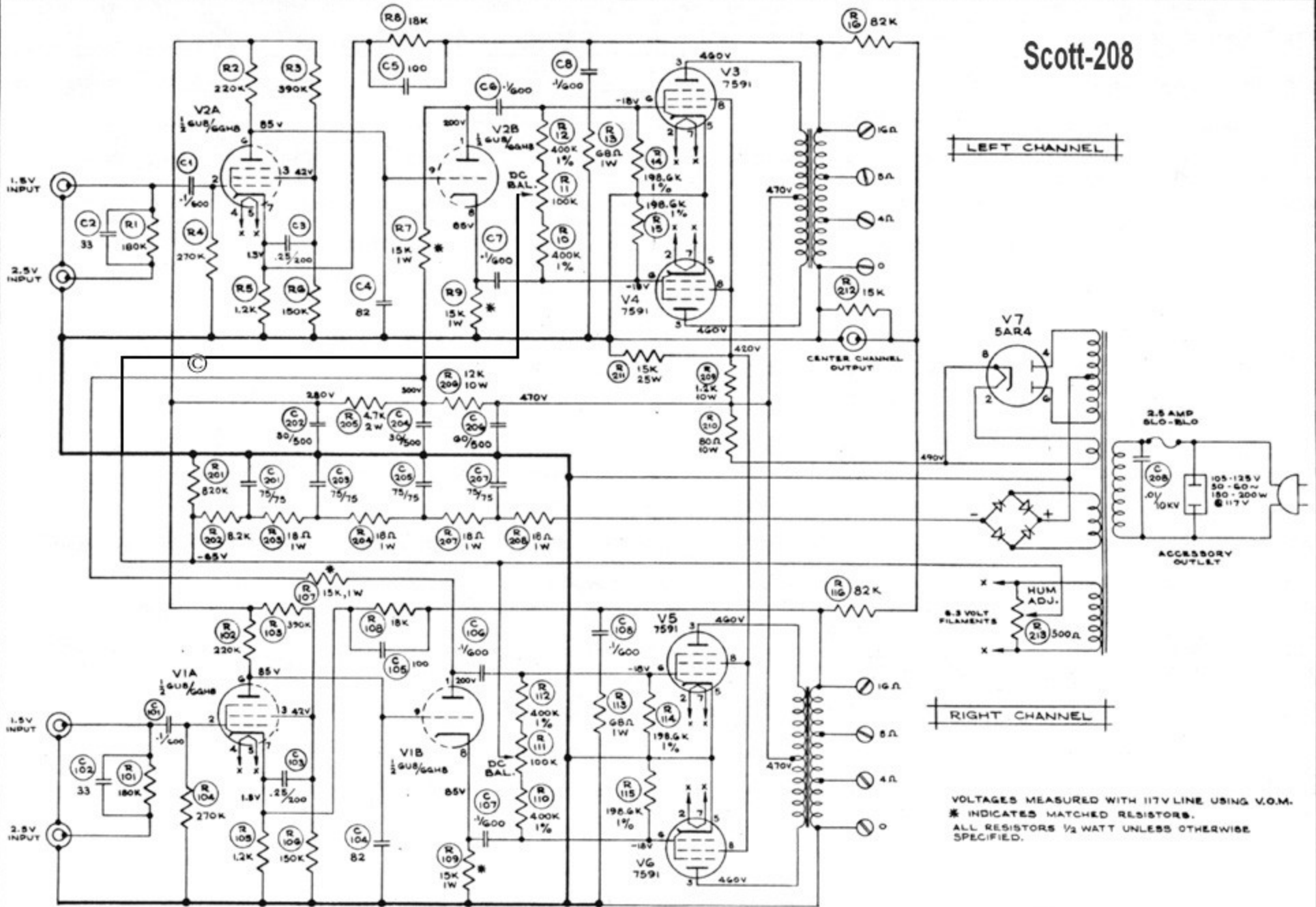


Scott-208



LEFT CHANNEL

RIGHT CHANNEL

VOLTAGES MEASURED WITH 117V LINE USING V.O.M.
 * INDICATES MATCHED RESISTORS.
 ALL RESISTORS 1/2 WATT UNLESS OTHERWISE SPECIFIED.

TYPE 208 STEREO POWER AMPLIFIER

R1G, C8 ; R1G, C108 ; R213, C208.

SCALE: NONE	CIRCUIT DIAGRAM	11/28/61
H. H. SCOTT, INC. MAYNARD, MASS. U.S.A.		
DR. DRAYMOND	ENG. [Signature]	DWG.
CH. W.C.	PROD.	NO. C-208-C1 SUB. O

C-208-C1