

STEREO SELECTOR SWITCH

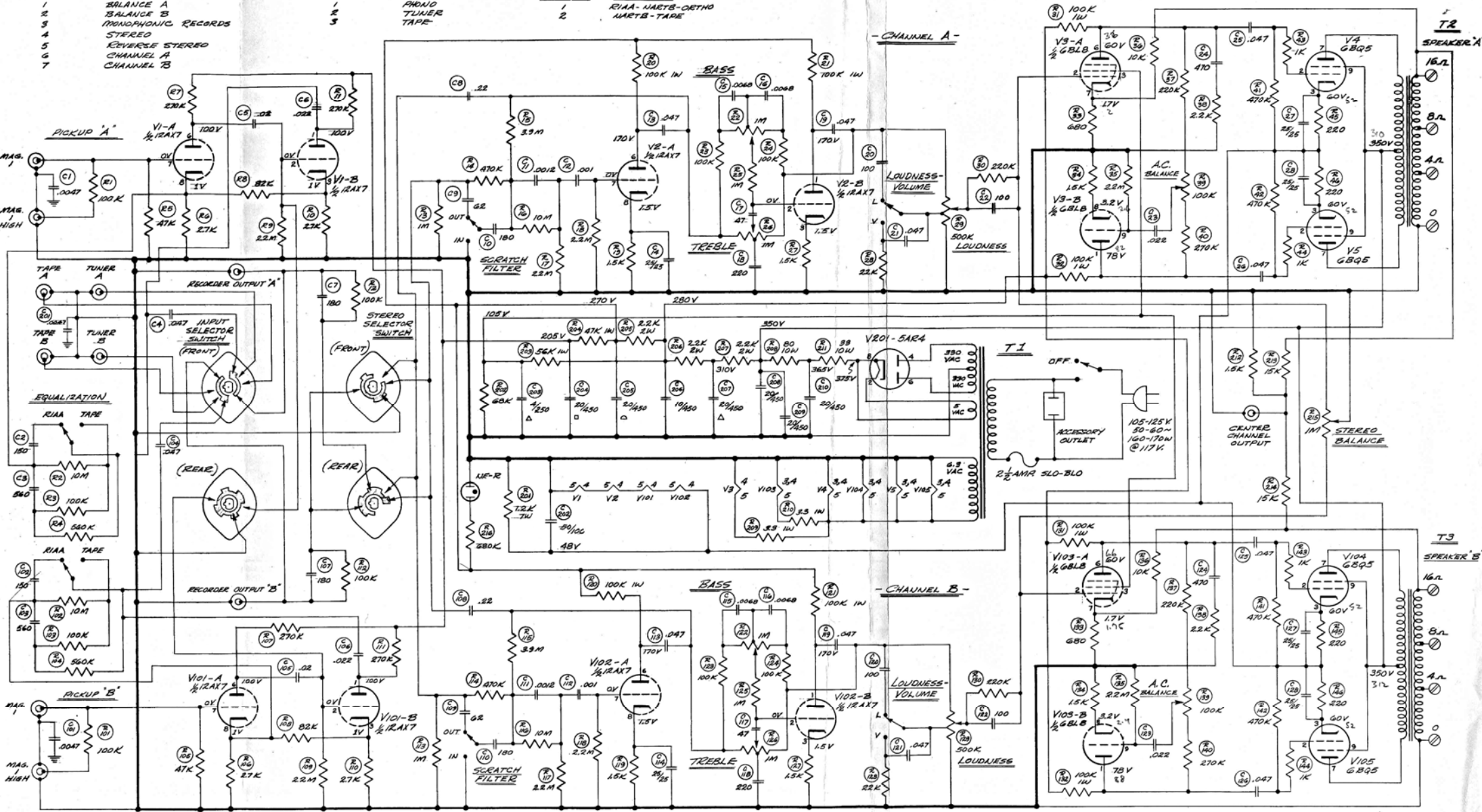
POSITION	FUNCTION
1	BALANCE A
2	BALANCE B
3	MONOPHONIC RECORDS
4	STEREO
5	REVERSE STEREO
6	CHANNEL A
7	CHANNEL B

INPUT SELECTOR SWITCH

POSITION	FUNCTION
1	PHONO
2	TUNER
3	TAPE

EQUALIZATION SWITCH

POSITION	FUNCTION
1	RIAA - M4RTB-GETHO
2	M4RTB-TAPE



THE FOLLOWING CONTROLS IN CHANNEL "A" ARE MECHANICALLY GANGED WITH IDENTICAL CONTROLS IN CHANNEL "B."

1. INPUT SELECTOR
2. EQUALIZATION
3. SCRATCH FILTER
4. LOUDNESS-VOLUME
5. LOUDNESS and POWER SWITCH

TYPE 222 STEREO AMPLIFIER

1. ALL VOLTAGES D.C. UNLESS MEASURED WITH V.T.V.M.
2. NO INPUT SIGNAL @ 117 VOLT LINE
3. SWITCHES SHOWN IN MAXIMUM C.W. POSITION.

REVISIONS
 DRAWN (L.S.)
 CHECKED (R.S.)
 APPROVED (S.M.)
 DATE

SCALE	200%	DEC. 31, 1959
E202 CIRCUIT DIAGRAM		
H. H. SCOTT, INC. MAYNARD, MASS., U.S.A.		
DR. E.H.METIN	ENG. J.W.	
CH.	PROD.	
DWG. NO. D-222-C1		