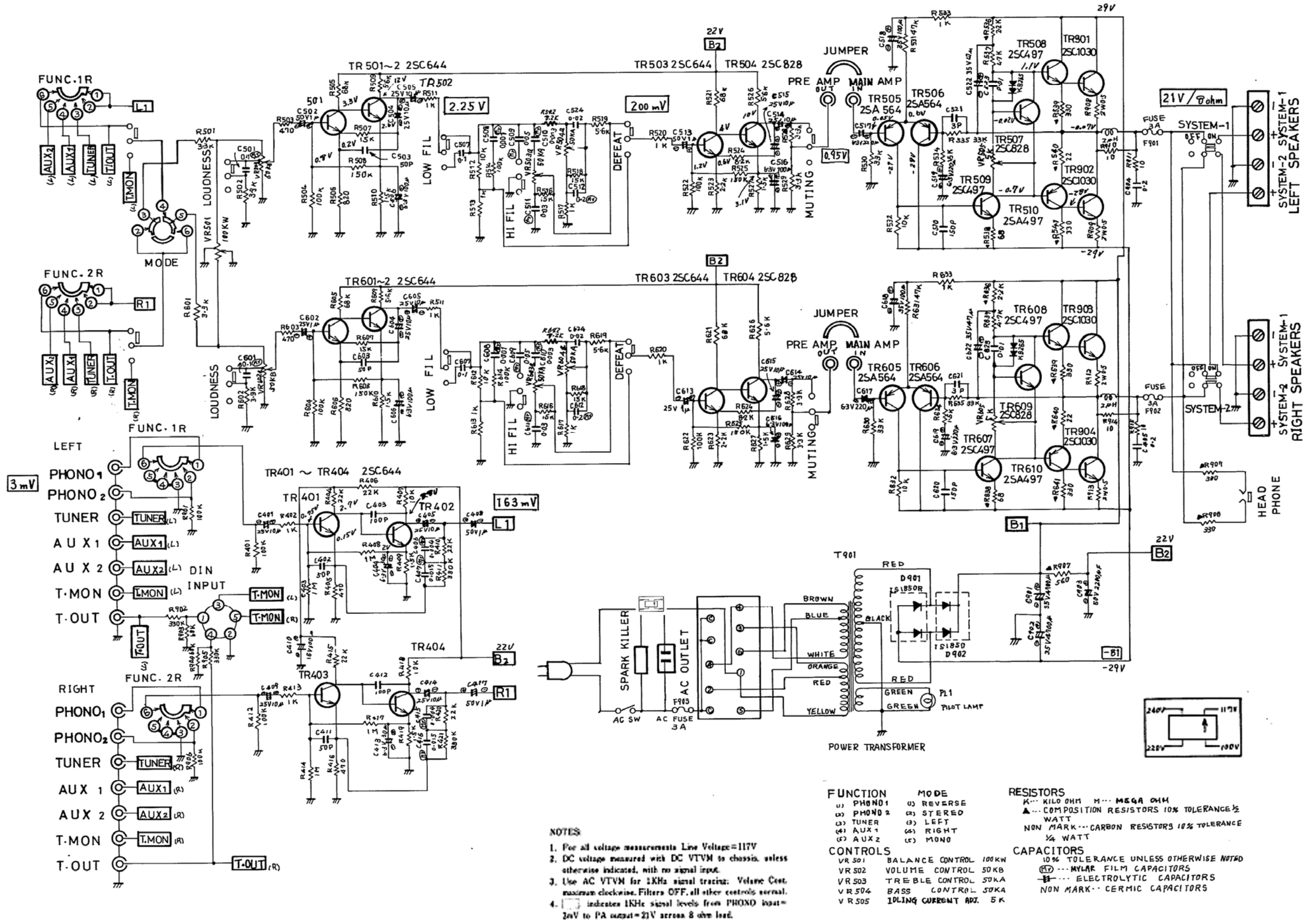


SCHEMATIC DIAGRAM



NOTES

1. For all voltage measurements Line Voltage=117V
2. DC voltage measured with DC VTVM to chassis, unless otherwise indicated, with no signal input.
3. Use AC VTVM for 1KHz signal traces: Volume Cont. maximum clockwise. Filters OFF, all other controls normal.
4. 1 indicates 1KHz signal levels from PHONO input=2uV to PA output=21V across 8 ohm load.

FUNCTION	MODE	RESISTORS
(1) PHONO1	(1) REVERSE	K... KILO OHM M... MEGA OHM
(2) PHONO2	(2) STEREO	▲... COMPOSITION RESISTORS 10% TOLERANCE 1/2 WATT
(3) TUNER	(3) LEFT	NON MARK... CARBON RESISTORS 10% TOLERANCE 1/2 WATT
(4) AUX 1	(4) RIGHT	
(5) AUX 2	(5) MONO	
CONTROLS		CAPACITORS
VR 501	BALANCE CONTROL 100KW	10% TOLERANCE UNLESS OTHERWISE NOTED
VR 502	VOLUME CONTROL 50KB	(M) ... MYLAR FILM CAPACITORS
VR 503	TREBLE CONTROL 50KA	(E) ... ELECTROLYTIC CAPACITORS
VR 504	BASS CONTROL 50KA	NON MARK... CERMIC CAPACITORS
VR 505	IDLING CURRENT ADJ. 5K	