



# H. H. SCOTT, INC.

111 POWDER MILL RD., MAYNARD, MASS., 01754

## SERVICE BULLETIN FOR MODEL 315B SOLID STATE FM STEREO TUNER

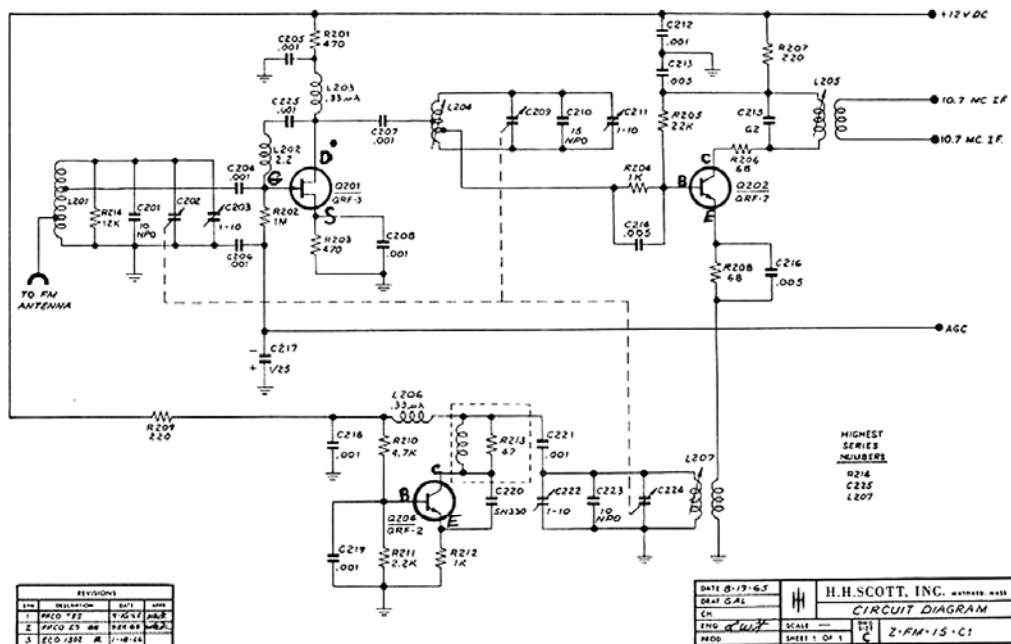
### SPECIFICATIONS

Usable Sensitivity (IHF)	2 uv
Cross Modulation Rejection	80 db
Signal to Noise Ratio	60 db
Total Harmonic Distortion	0.8 %
Frequency Deviation	less than .02%
Frequency Response	* 50-15,000 cps $\pm$ 1 db
Capture Ratio	2.5 db
Selectivity	45 db
Hum	-65 db
AM Suppression	55 db
Separation	40 db
Audio Output (100% modulation)	2.0 v
Tuning Range	87-109 mc
Accuracy of Calibration	0.5 %

Output Impedance	
Recommended Load Resistance: greater than	25K ohms
Recommended Cable Capacitance: less than	400pf

Range of Line Voltage and Frequency	105-125v/50-60 cps
Power Consumption - AC ONLY - <u>DO NOT OPERATE</u>	6 watts @ 117 v
<u>WITH</u>	
<u>DIRECT CURRENT</u>	

\* This is limit of F.C.C. specifications. ALL SCOTT tuners have far wider frequency response.



REVISIONS			
REV	DESCRIPTION	BY	APP
1	PROD 122	1/25/65	MSB
2	PPCO 25 88	1/24/65	MSB
3	ECO 132 R	1/18/65	

DATE 8-17-65	H. H. SCOTT, INC. WATNEE, MASS
DRAW G.A.L.	CIRCUIT DIAGRAM
CHK	
ENG. <i>[Signature]</i>	SCALE
PRD	SHEET 1 OF 1