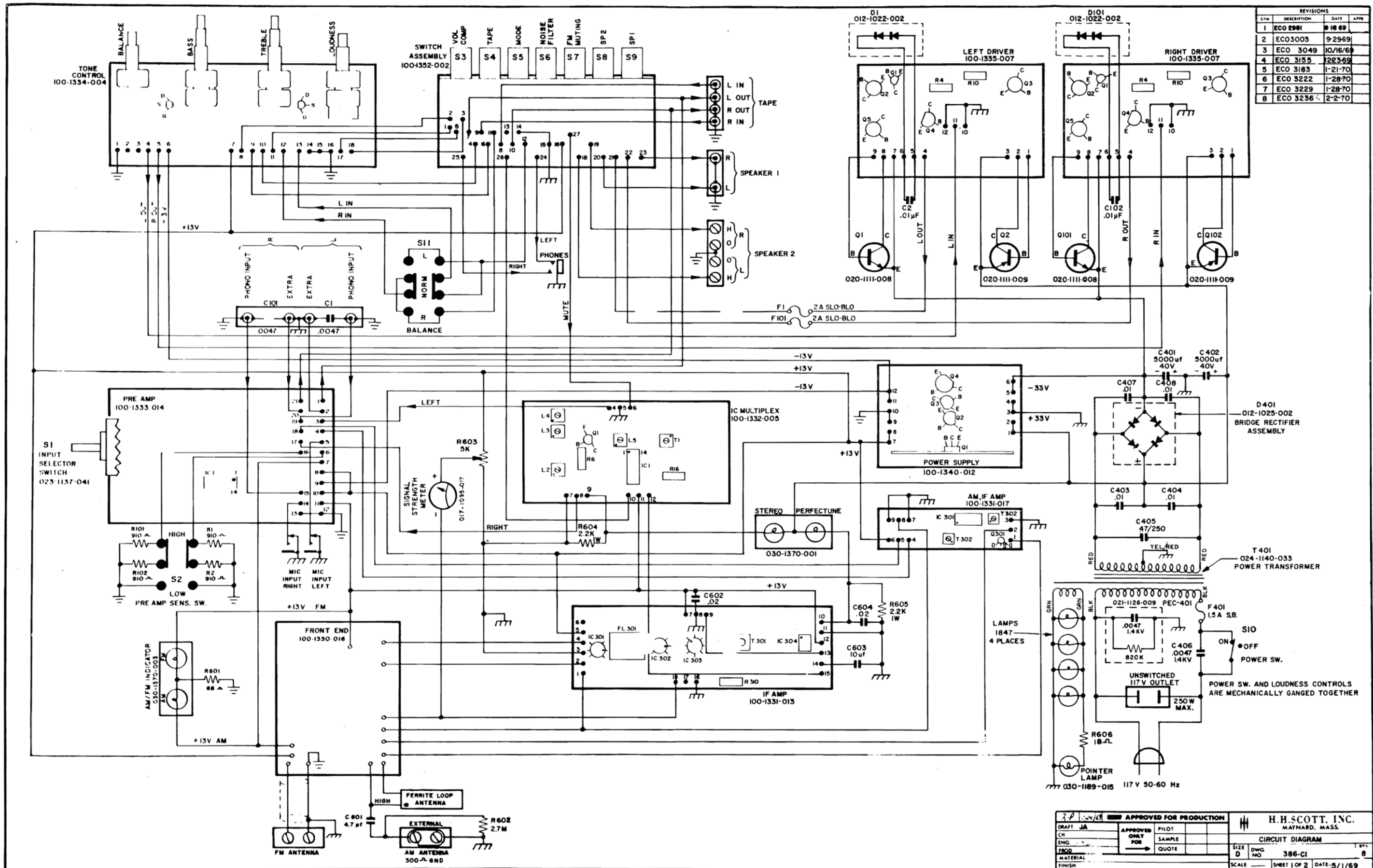


REVISIONS			
SYM	DESCRIPTION	DATE	APPN
1	ECO 2801	9-18-69	
2	ECO 3003	9-29-69	
3	ECO 3049	10/16/69	
4	ECO 3155	12-23-69	
5	ECO 3183	1-21-70	
6	ECO 3222	1-28-70	
7	ECO 3229	1-28-70	
8	ECO 3256	2-2-70	



APPROVED FOR PRODUCTION		H.H. SCOTT, INC. MATNARD, MASS.	
DRAFT	APPROVED ONLY FOR	PILOT	SAMPLE
CH	FOR	QUOTE	
PROD			
MATERIAL			
FINISH			
SIZE D	DWG NO	386-C1	1 REV
SCALE	SHEET	1 OF 2	DATE 5/11/69