

OPERATING INSTRUCTIONS



ST-905

LINEAR TRACKING AUTOMATIC TURNTABLE

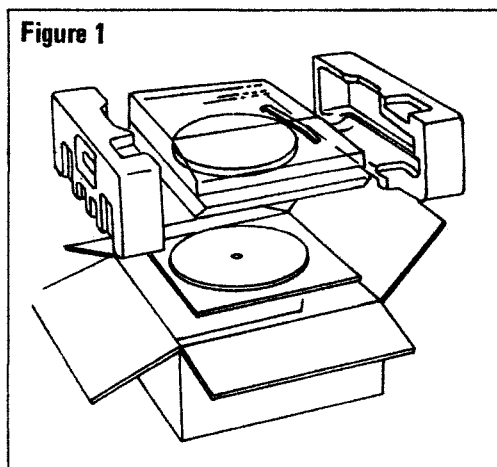
 Sherwood

Your new Sherwood ST-905 Direct Drive Linear Tracking Automatic Turntable uses the latest in audio technology to give the superior sound reproduction audiophiles demand. A powerful brushless DC FG servo motor gives unwavering, near-perfect speed. The stroboscope and bright LED lets you quickly and precisely adjust turntable speed. And the quartz lock circuit gives complete independence from power fluctuation and insures complete speed accuracy.

The logic controlled linear tracking arm maintains the stylus of the cartridge at the correct angle to the radius of the groove over the full surface of the record- which means low distortion and excellent tracking at less than 1.5 grams. The turntable accepts any "P mount" cartridge available from most manufacturers.

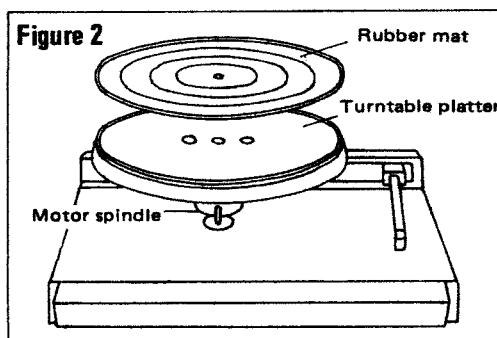
UNPACKING AND PREPARING FOR USE

You have just received and unpacked your unit. You must have noticed that special care was given to packaging to avoid any possible damage during transport. Remove the red transportation screw from the bottom cabinet. Keep the packing box and transportation screw for use in case you should need to transport it at some future date.

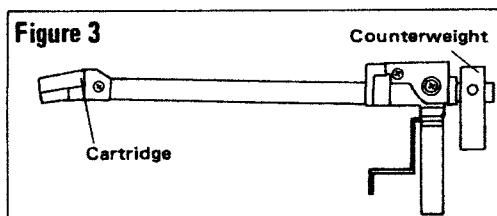


INSTALLATION

Carefully lower the Turntable Platter onto the Motor Spindle. Set the Rubber Mat on the Platter. (See Figure 2)



The counter weight is factory adjusted for "P mount" cartridges. (See Figure 9 for installation.)



To insure top performance, install only on a solid surface, free from vibration. Avoid areas of high humidity and direct sunlight or other sources of heat (heaters, hot air vents, etc.). Good air circulation would be helpful.

ELECTRICAL CONNECTIONS

1. Pickup leads with RCA type plugs:

Connect the pickup leads (L and R) coming from the rear of the turntable to the PHONO input jacks of your Amplifier/Receiver – red for right channel and white for left channel.

2. Ground wire:

Connect the ground wire (thin wire) to the GND terminal on your Amplifier/Receiver. This will reduce or eliminate hum.

3. AC line cord:

Plug the AC line cord coming from the rear of the Turntable into a convenient source of 120 volts, 60Hz (220 volts, 50Hz for European/Australian models) AC power (a wall outlet or an unswitched AC receptacle on your Amplifier/Receiver).

Figure 4

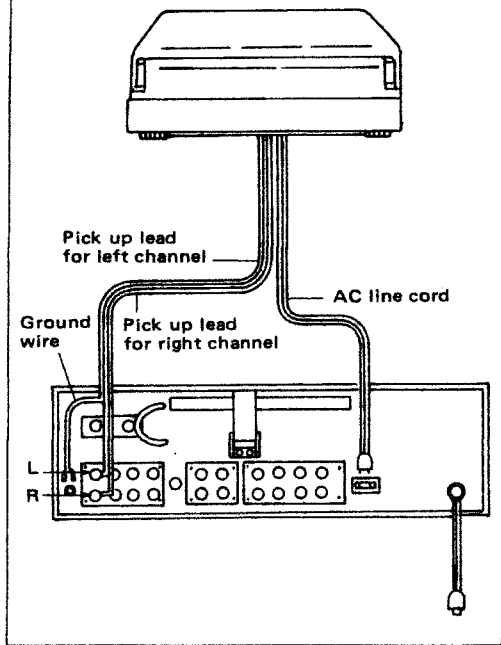
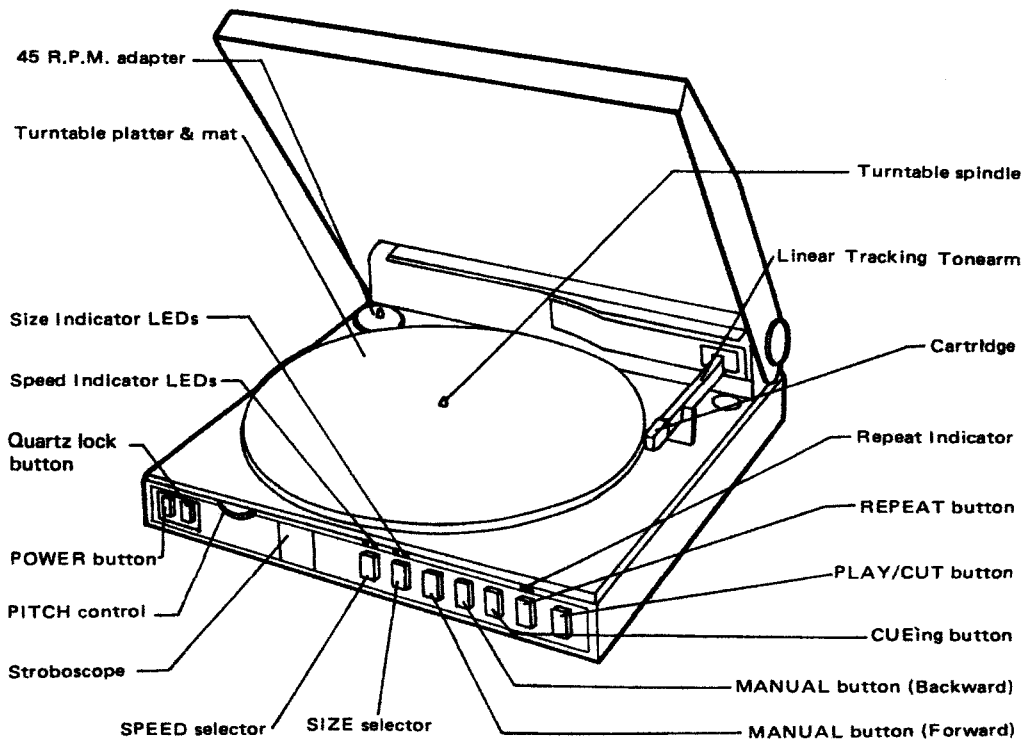
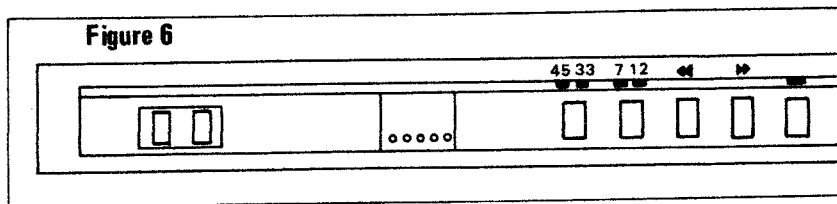


Figure 5

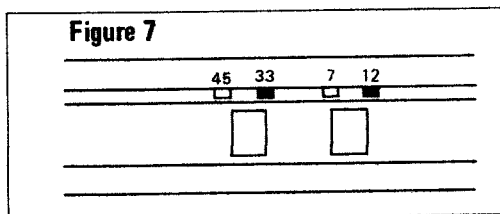


OPERATION

1. Plug the AC line cord into a source of AC power.
2. Press the POWER button; The Stroboscope will light along with Size and Speed Indicators.



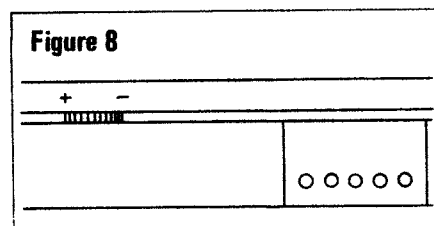
3. Check that the REPEAT button is not activated (see that Repeat indicator is OFF).
4. Remove the stylus protector.
5. Place a record on the Platter.
6. Set the Record SIZE selector to 12" or 7". Select the appropriate speed, 33 or 45.



7. Press the PLAY/CUT button. If you want to hear the record over and over again, push the REPEAT button; Repeat LED will light.
8. The Tonearm will automatically move to set the stylus at the beginning of the record.
9. At any time during the play cycle, you can gently lift the Tonearm from the record by pressing CUEing button.
10. At the end of the record, the Tonearm will automatically return to the arm rest and the Turntable Platter will stop. If you have set the REPEAT button, the Tonearm will return to the first groove and repeat playing.
11. To stop playing before a record finishes its playing cycle, push the PLAY/CUT button. The Tonearm lifts and returns to its rest and the Turntable Platter will stop.
12. To stop repeat play, push the REPEAT button again; indicator LED will go out.
13. If you want to play manually:
 - a. Press and release the CUEing button; the Tonearm comes up.
 - b. Shift the Tonearm Horizontally over the desired part of the record, using buttons "◀◀" or "▶▶"; the Tonearm will move either to the left or to the right depending on your choice.
 - c. Press and release the CUEing button; the Tonearm will descend and play, beginning at the selected groove.

NOTE:

1. Before playing, if the Stroboscope dots move, rotate the Pitch control knob until the relevant dots appear motionless. If dots move toward the left, rotate the Pitch control knob toward "-". If dots move to right, rotate the Pitch control knob toward "+".
2. To insure exact speed, depress the quartz lock switch. This locks in the speed and by passes the pitch control.



3. Manual buttons " ◀◀ " and " ▶▶ " are double-step type switches.
Press half way until you feel the first "catch" for slow movement of tone arm; press all the way in for fast movement.
4. When the Tonearm is moving automatically, do not touch the arm.

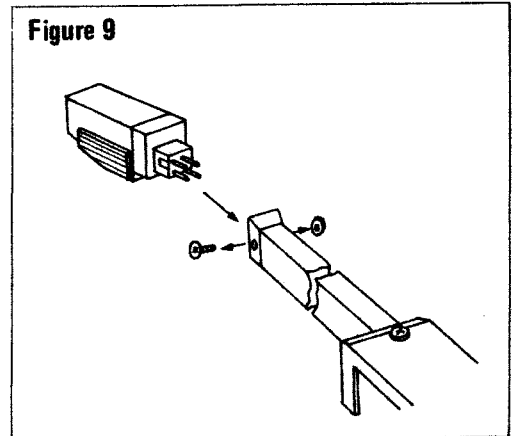
45 R.P.M. adapter

When playing a 45 R.P.M. record with a large center hole, place the Adapter over the Turntable spindle.

REPLACEMENT OF CARTRIDGE

Remove the screw and nut that holds the cartridge assembly in place. Then carefully remove the cartridge assembly by pulling it straight out. Install the new cartridge assembly. Make sure it is all the way in and is straight.

Replace the screw and nut. (See Figure 9).



HINTS FOR BETTER SOUND

Howling:

Cartridges are very sensitive and may pick up slight sound pressure or vibrations of the speaker coming along the floor or through the air. This results in howl. Therefore, location of your turntable is very important. Find a location where it will be very stable and free from vibration.

Induction Hum:

Your turntable utilizes a brushless DC FG servo motor to reduce inductive hum. If you notice annoying hum, it may be caused by an electromagnetic field produced by motors or transformers used in other products. Do not place the Turntable near the product in which a motor or transformer is being used. To prevent the Turntable from being affected by the power transformer of your Amplifier, Receiver or Tape Deck, position the Turntable on the side opposite the power transformer.

Record Care

When handling a record, always hold it by its edge and center label area. Never touch the groove surface. Make it a habit to return records to their jackets immediately after use.

Store the records in a vertical position and avoid storing where subject to temperature extremes (whether high or low), excessive humidity or in direct sunlight.

MAINTENANCE

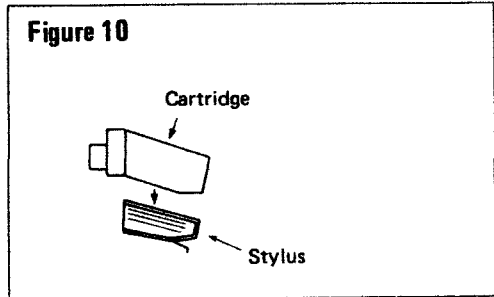
Dust and Dirt:

Records often carry dust-attracting static charges and should be cleaned before use. Playing a dirty record grinds dust against the record walls until it wears away the high frequencies and increases background noise. The most effective cleaners use an ionizing formula to remove the static charge and a cut velvet pad to lift particles from the groove.

Occasionally you will need to remove dust and dirt from the needle. For best results, use a stylus cleaner and brush available from your dealer. To clean the stylus, brush forward very gently to remove the dust. Brushing from front-to-back or side-to-side may cause permanent damage. Avoid touching stylus tip when cleaning.

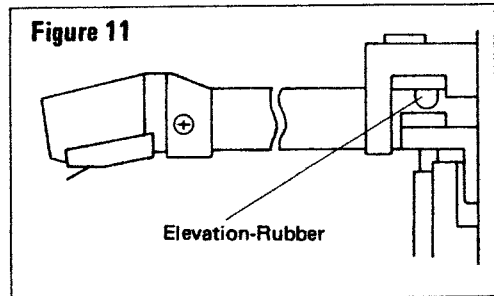
Cabinet and Dust Cover

If the cabinet or dust cover requires cleaning, use a soft, damp cloth (do not use solvents). Don't use insecticide, benzene or thinner near the cabinet.



Clean the Elevation-rubber

Clean the Elevation Rubber when you first operate the unit after purchasing, and periodically, by using a soft cloth dipped in alcohol and thoroughly wrung out. (See Figure 11)



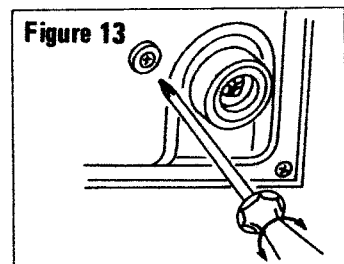
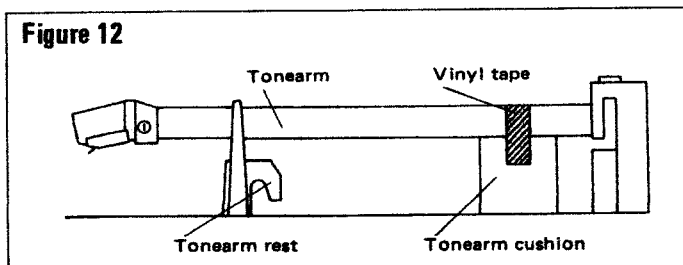
CAUTION

When the unit is operated initially after purchasing, after a long period of non-use or in winter, the Tonearm may not descend in initial action because of the property of the silicon oil used.

Gently hold the tonearm at the portion close to the counterweight and manually move it gently up and down.

When transporting your unit, remember to:

- attach the stylus protector
- remove the Turntable platter
- tighten the Tonearm with a red transportation screw. (See Figure 13)
- fasten the Tonearm with vinyl tape, having the tonearm cushion placed under the arm pipe. (See Figure 12)



Your ST-905 requires no lubrication whatsoever, and if you should attempt to do so you may damage it. If you have some difficulty bring to your local dealer store for our Service Personnel to check over.

SPECIFICATIONS

Type	2 speeds, direct drive, linear tracking, automatic turntable
Platter	Aluminum alloy die-cast, 295mm outer diameter, 0.8kg
Motor	4 phase, 8 pole magnetic field coreless DC FG servo
Speed	2 speeds; 33-1/3 and 45 RPM
Pitch control range	±4%
Signal-to-Noise ratio/rumble	Better than 68dB (DIN B)
Wow & Flutter	Less than 0.05% (WRMS)
Tonearm	Static balanced
Head shell	Plug in type
Effective length	165mm
Power source	120 Volts, 60Hz AC, For USA and Canada, 220 Volts, 50Hz AC for Europe
Power consumption	17 watts
Dimensions	4.53(H) x 13.78(W) x 14.96(D) inches (115(H) x 350(W) x 380(D) mm)
Weight	17.63 lbs (8 kg.)
Accessories	45 RPM adapter



 **SHERWOOD**

**17107 KINGSVIEW AVENUE, CARSON,
CALIFORNIA 90746 U.S.A.**