
TANDBERG® TPA 3009A

Operating Instructions

TANDBERG Power Amplifier 3009 A

Peak Clipping

For your safety!

To prevent electrical shock or fire, do not expose electronic products to rain or moisture and do not remove covers (or back). If anything fails, leave the repairs to a qualified technician.

Pull out the power plug during thunder storms and when you are away for a long time (e.g. holidays, etc.).

Contents

	Page
Mains voltage – Fuses	3
Connections	3
Connections	4
Mains switch	6
Peak clipping indicators	6
Mounting the side panels	7
Mounting the rack mount kit	7
Technical data	7

Thank you for having chosen Tandberg

We congratulate you on your choice of this fine instrument created by highly skilled professionals.

Overall, the TPA 3009A, as the other members of Tandberg Series 3000A, offers an ideal balance of

superior sound quality, sophisticated electronic design, quality of construction and unique Norwegian styling. These factors combined in a complete system offer the consumer value unmatched by any other line in the market today.

Mains voltage – Fuses

Check that the voltage selector is set to the correct position. (For USA and Canada the equipment is set to 115 V.)

230 V, 50 Hz:

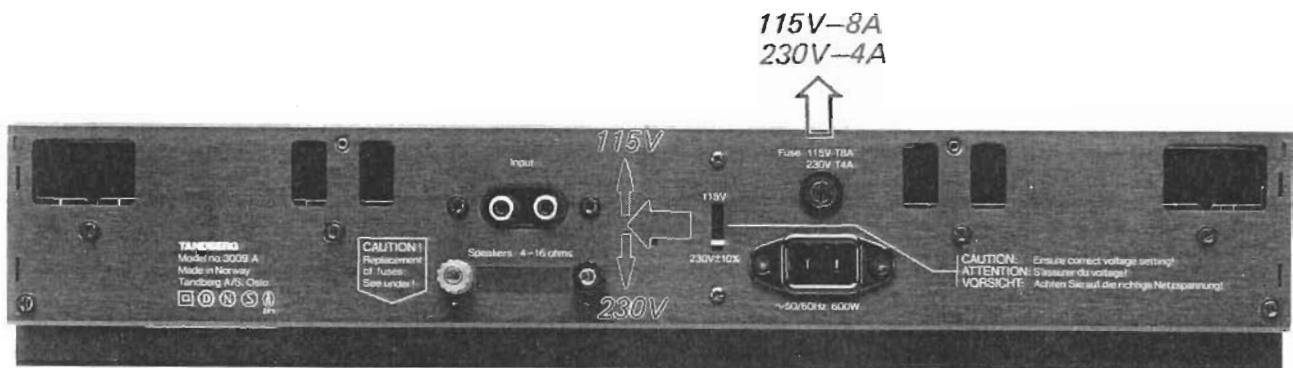
When the deck is set to 230 V position it should be fitted with a 4 A fuse. On this setting any mains voltage between 207 V and 253 V can be used.

115 V, 60 Hz:

In 115 V position the equipment should be fitted with an 8 A fuse. On the 115 V setting any mains voltage between 103 V and 127 V can be used.

Fuses:

230 V, 50 Hz: 4 A, slow blow, 5 x 20 mm.
115 V, 60 Hz: 8 A, slow blow, 5 x 20 mm.



Connections

Connections, see diagram pages 4 and 5

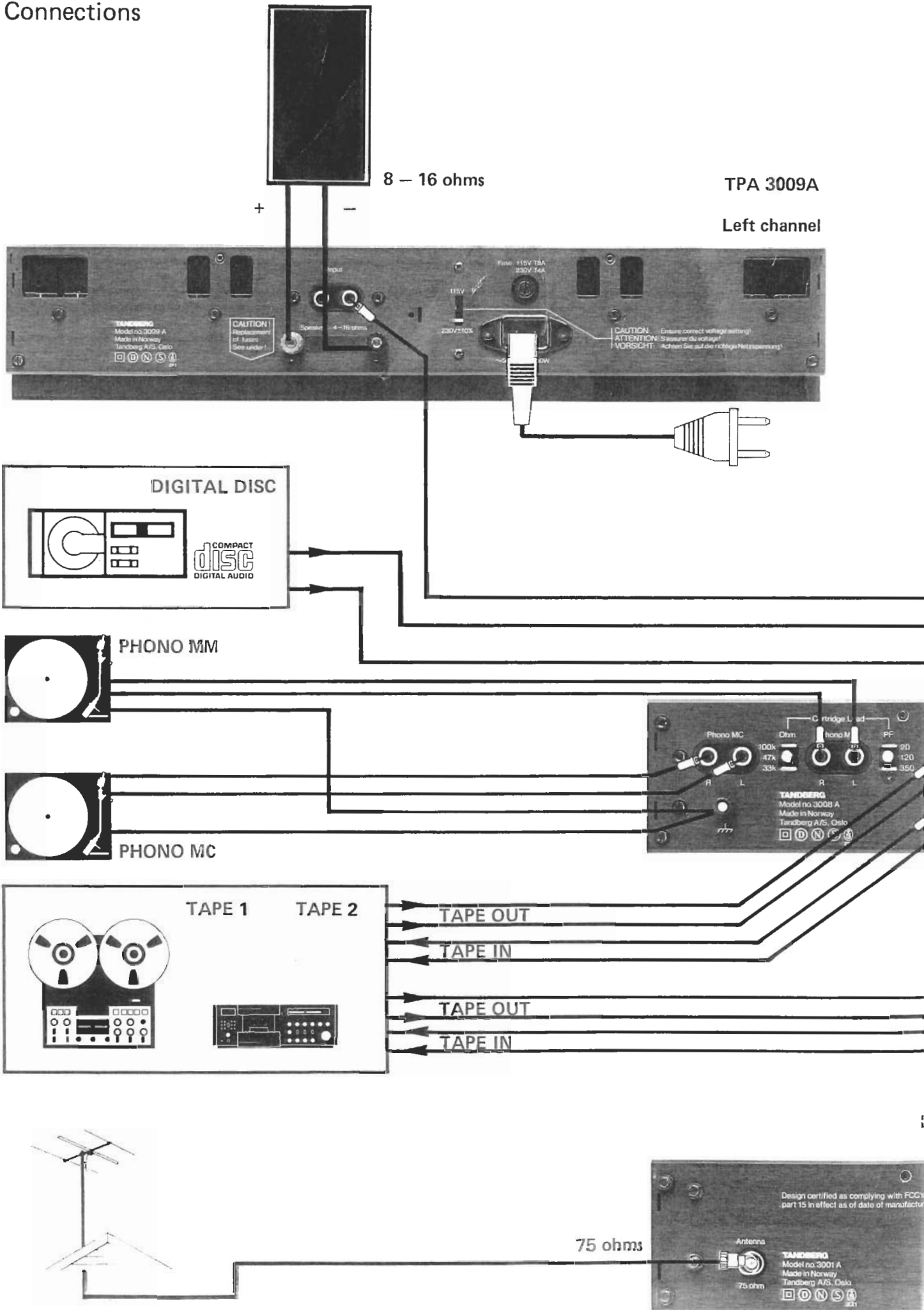
IMPORTANT! All connections should be carried out before the Power is switched on.

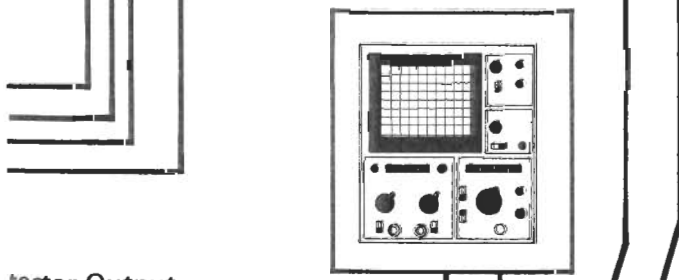
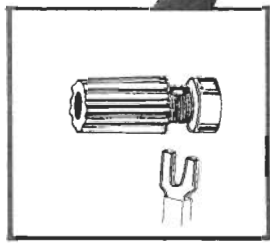
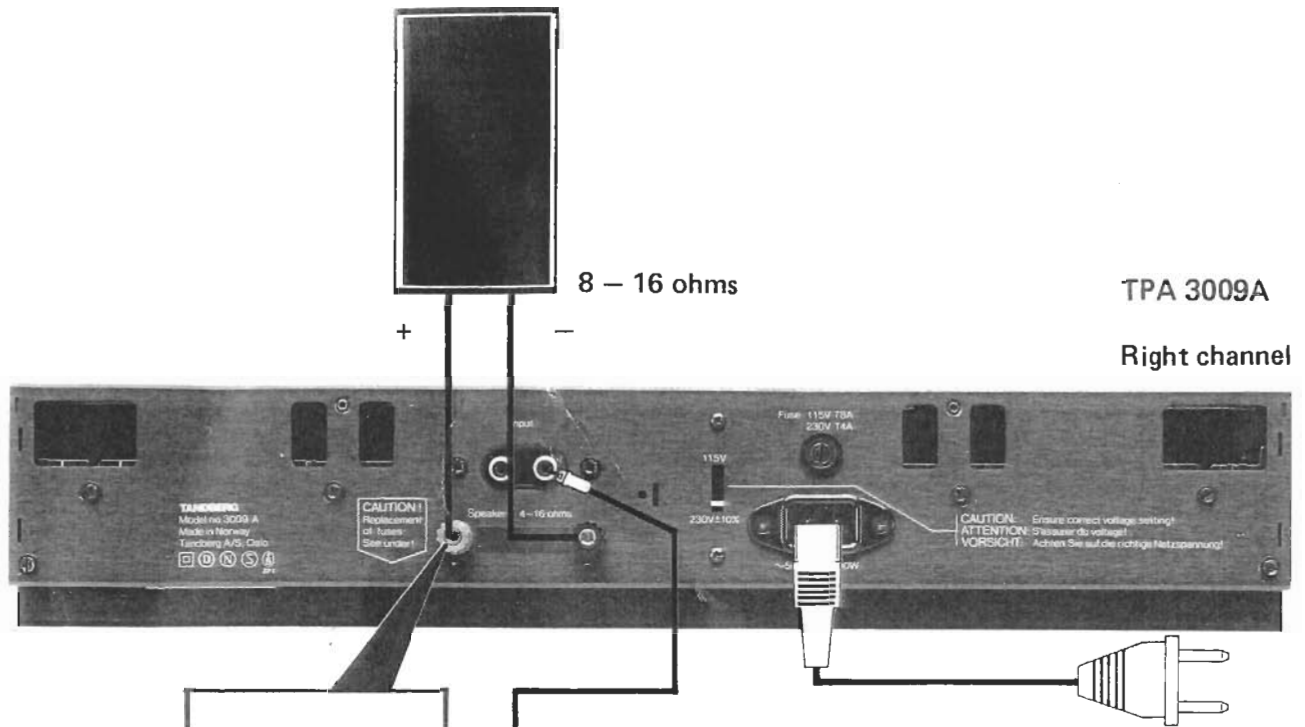
– Connect signal source to one of the Input connectors. The Inputs are connected together (in parallel).

– Connect speakers to the Speaker terminals.

NOTE! Check the speaker polarity.

Connections

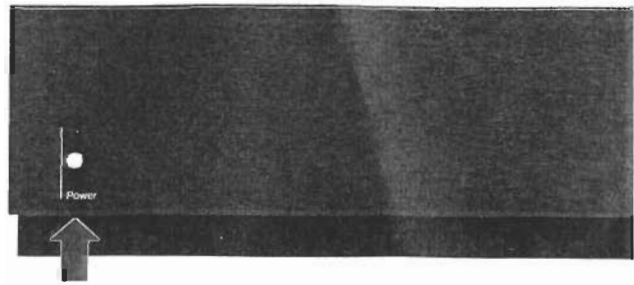




Mains switch

- Check that the equipment is connected to the correct mains voltage.
- Check that the correct fuse is fitted.
- Plug in the mains lead.
- Press in the mains switch (marked Power).

NOTE! A protection circuit will cause a few seconds delay.



Peak clipping indicators

The indicator will indicate when peak clipping of the signal occurs.

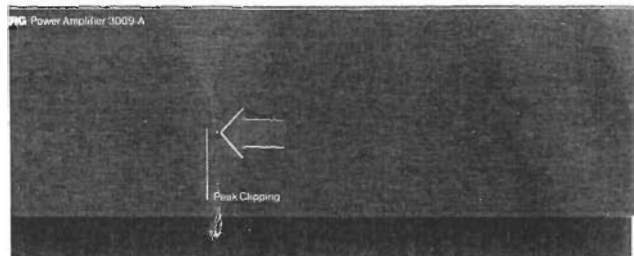
Protection circuits

Electronic circuits will protect the power amplifier against:

- load impedance lower than 2 ohms per channel short-circuit included,
- flashback from inductive speaker loads, and
- protect the speakers from damage caused by dc. voltages.

Furthermore a thermal switch will operate if the temperature inside the amplifier rises above normal operating temperature. This switch will be reset automatically when normal temperature conditions are resumed.

IMPORTANT! When placing this power amplifier in a rack or in a shelf, *a/ways* be sure that sufficient ventilation is available.

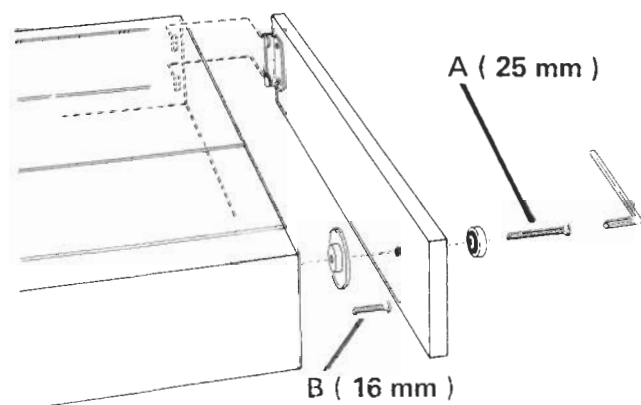


Mounting the side panels (extra)

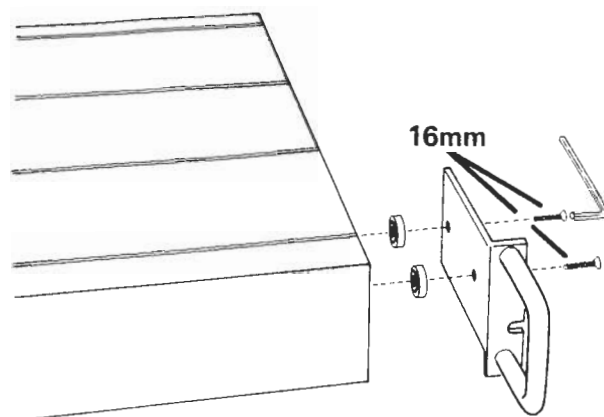
NOTE!

When fitting extra side panels you must use the long screws (A) which are supplied.

Take care of the short screws (B) originally used to hold the side panels because you will need them if you remove the extra side panels. **The long screws must not be used without the extra side panels because they will cause damage inside the amplifier.**



Mounting the 19"-rack mount kit (extra)



Technical data

Power requirements: 115/230 V \pm 10%, 50/60 Hz

Power consumption: 50 – 770 W

Dimensions:
Width: 17 1/8" (43.5 cm)
Depth: 13 3/4" (35.0 cm)
Height: 3 1/4" (8.3 cm)
Weight: 25 lbs (11.3 kg)

Technical Data according to IHF-A-202, 1978

Continuous Average Power Output:
(8 ohms, 20 – 20.000 Hz, THD < 0.05%)
180 W

Frequency Response: 20 – 20.000 Hz, +0/–0.1 dB

Sensitivity: 80 mV

A-weighted Signal-to-Noise Ratio:
(Ref. 1 W/8 ohms) 94 dB

Secondary Disclosures

Output Impedance (20 – 20.000 Hz): 0.031 ohms

Wideband Damping Factor: 250

SMPTE Intermodulation Distortion: 0.05%

IHF Intermodulation Distortion: 0.05%

Transient Overload Recovery Time: Immeasurable

Reactive Load Factor: 1.4

Reactive Load Rating: 1.4 dB

Separation: > 75 dB

Difference of Frequency Response: < 0.1 dB

Other Technical Data

Frequency Response: 0.15 Hz – 1.5 MHz

Output Impedance (20 – 20.000 Hz): 0.031 ohms

Slew rate: 250 V/ μ S

A-weighted Signal-to-Noise Ratio:
(Ref. 150 W/8 ohms) 117 dB

Rise time: 0.9 μ S

* Specifications are subject to change for further improvement without notice.

Tandberg Audio A.s

Fetveien 1, P.O. Box 49

N-2007 Kjeller, Norway

Power