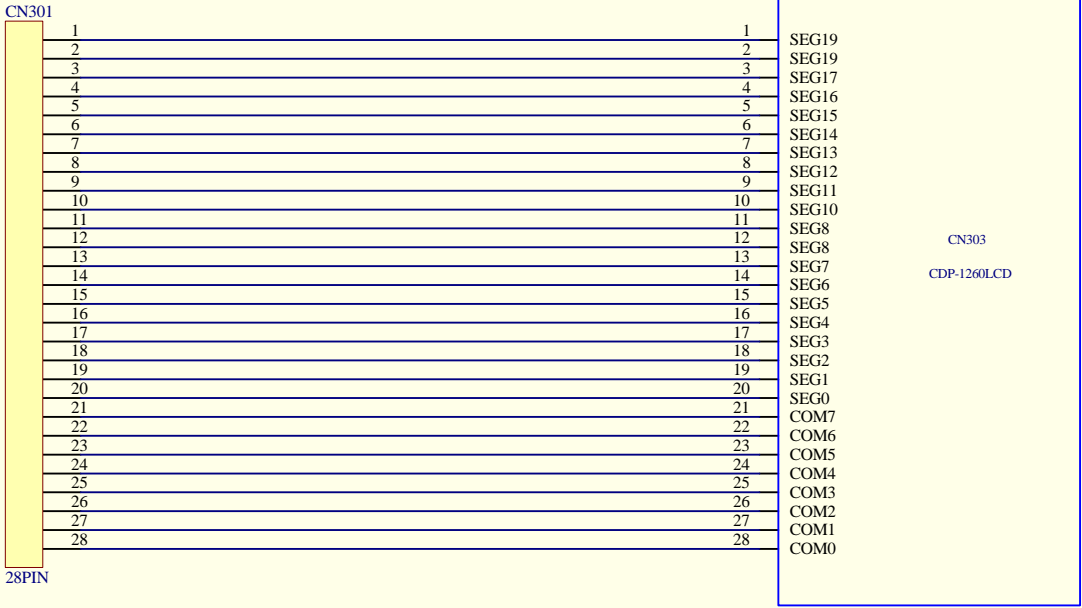
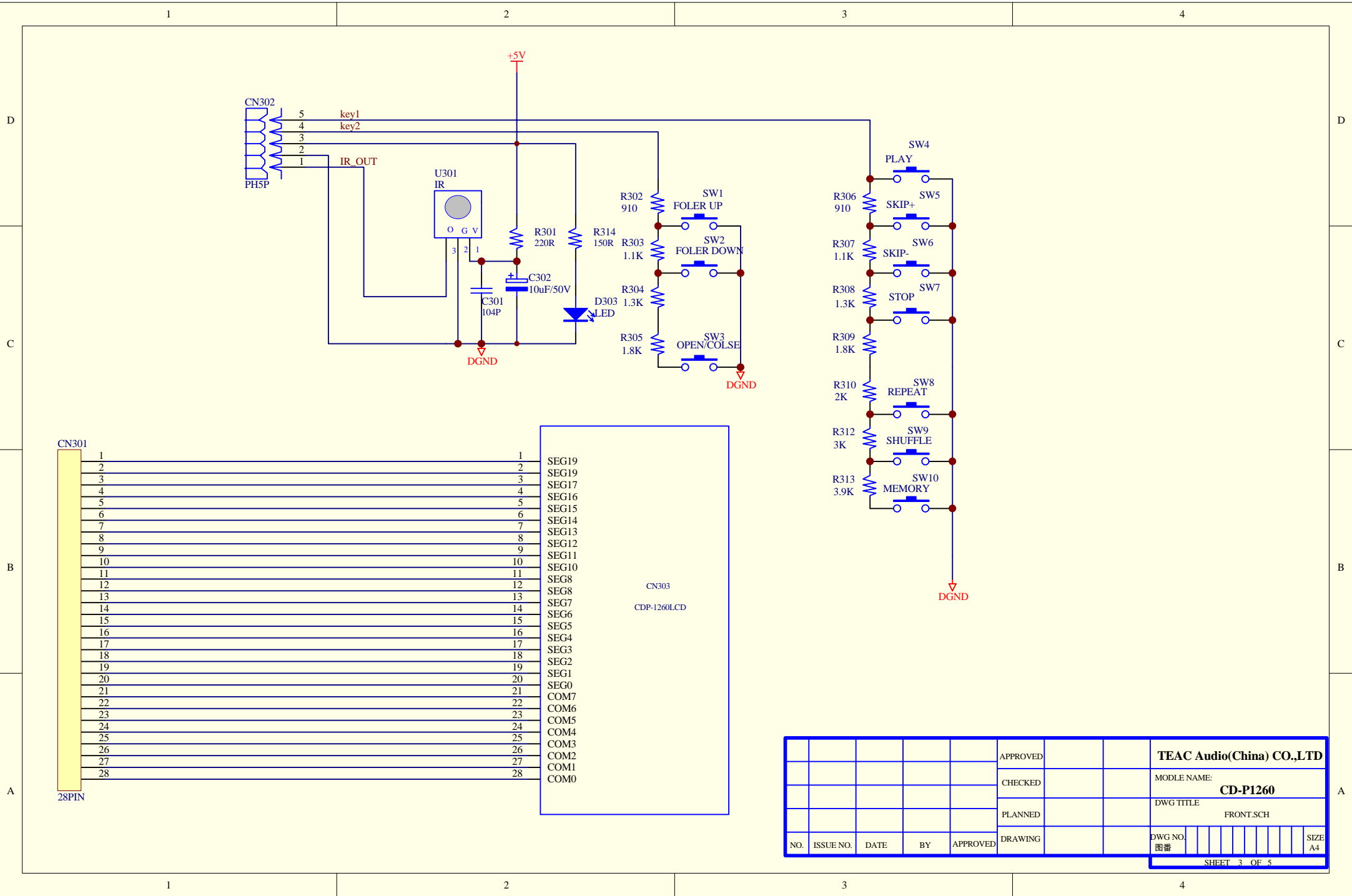
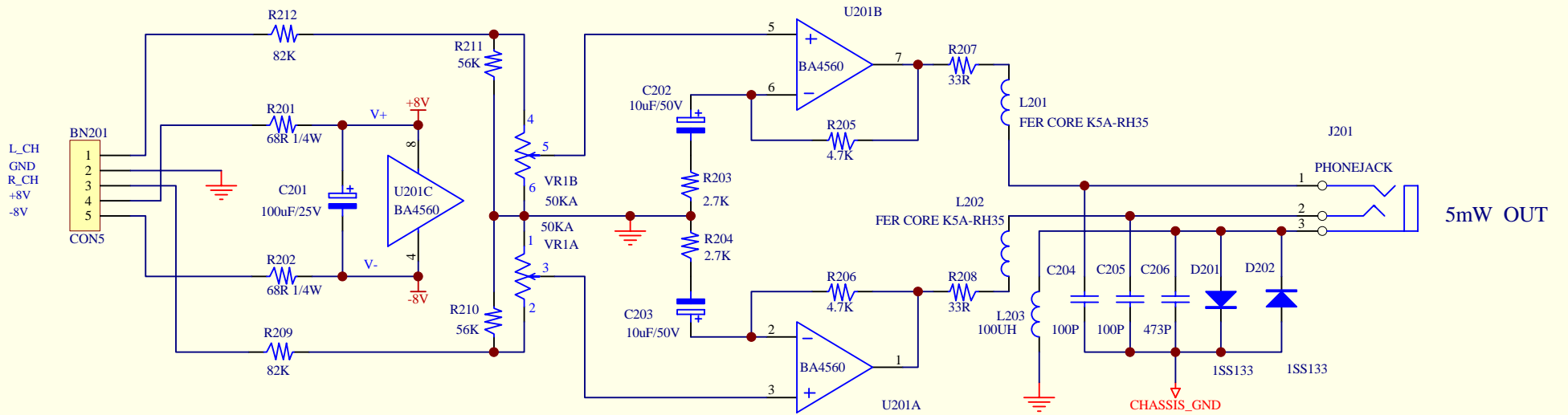


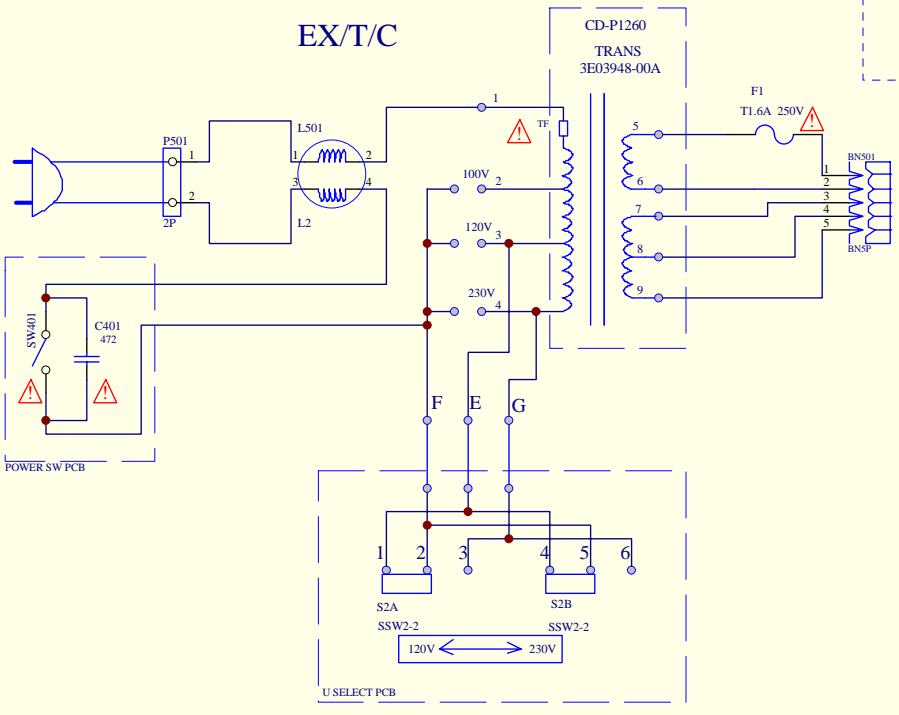
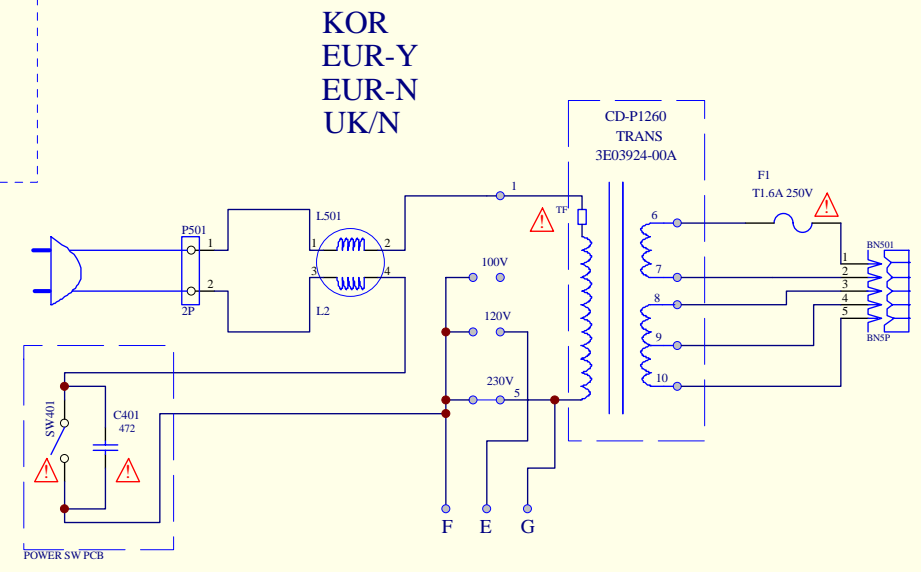
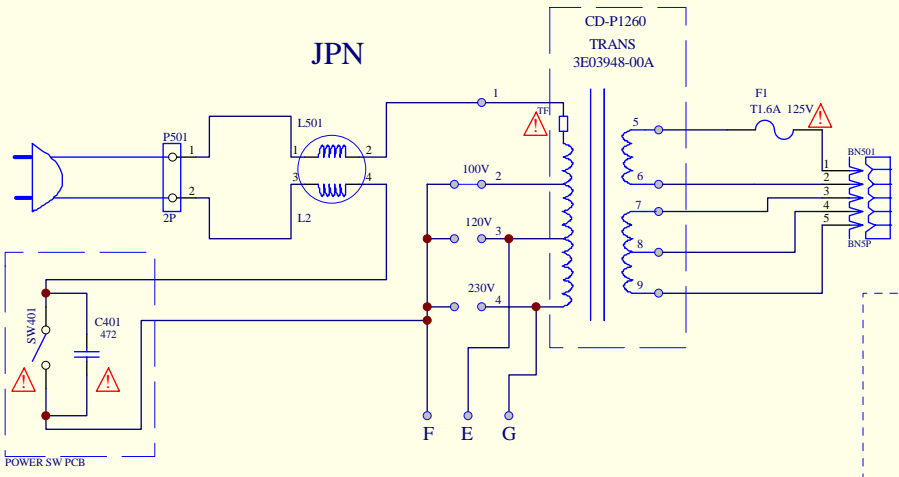
					APPROVED		TEAC Audio(China) CO.,LTD		
					CHECKED		MODEL NAME: CD-P1260		
					PLANNED		DWG TITLE: MP3 DECODE .SCH		
					DRAWING		DWG NO. MP3 DECODE .SCH		
NO.	ISSUE NO.	DATE	BY	APPROVED			SIZE A3		
							SHEET 2 OF 5		



					APPROVED			TEAC Audio(China) CO.,LTD			
					CHECKED			MODLE NAME: CD-P1260			
					PLANNED			DWG TITLE FRONT.SCH			
					DRAWING			DWG NO. 图番			SIZE A4
SHEET 3 OF 5											



					APPROVED			TEAC Audio(China) CO.,LTD			
					CHECKED			MODLE NAME: CD-P1260			
					PLANNED			DWG TITLE: H/P.SCH			
					DRAWING			DWG NO.			SIZE
NO.	ISSUE NO.	DATE	BY	APPROVED				图番			A4
SHEET 4 OF 5											



					APPROVED		TEAC Audio(China) CO.,LTD	
					CHECKED		MODULE NAME: CD-P1260	
					PLANNED		DWG TITLE POWERSCH	
					DRAWING		DWG NO. 图番	
NO.	ISSUE NO.	DATE	BY	APPROVED				SIZE A3
								SHEET 3 OF 5