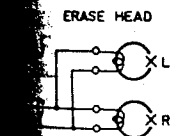
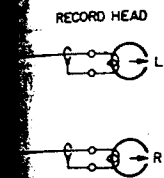
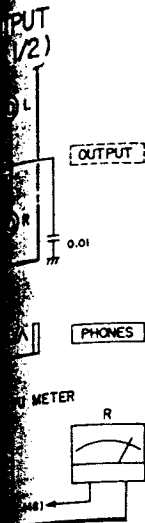


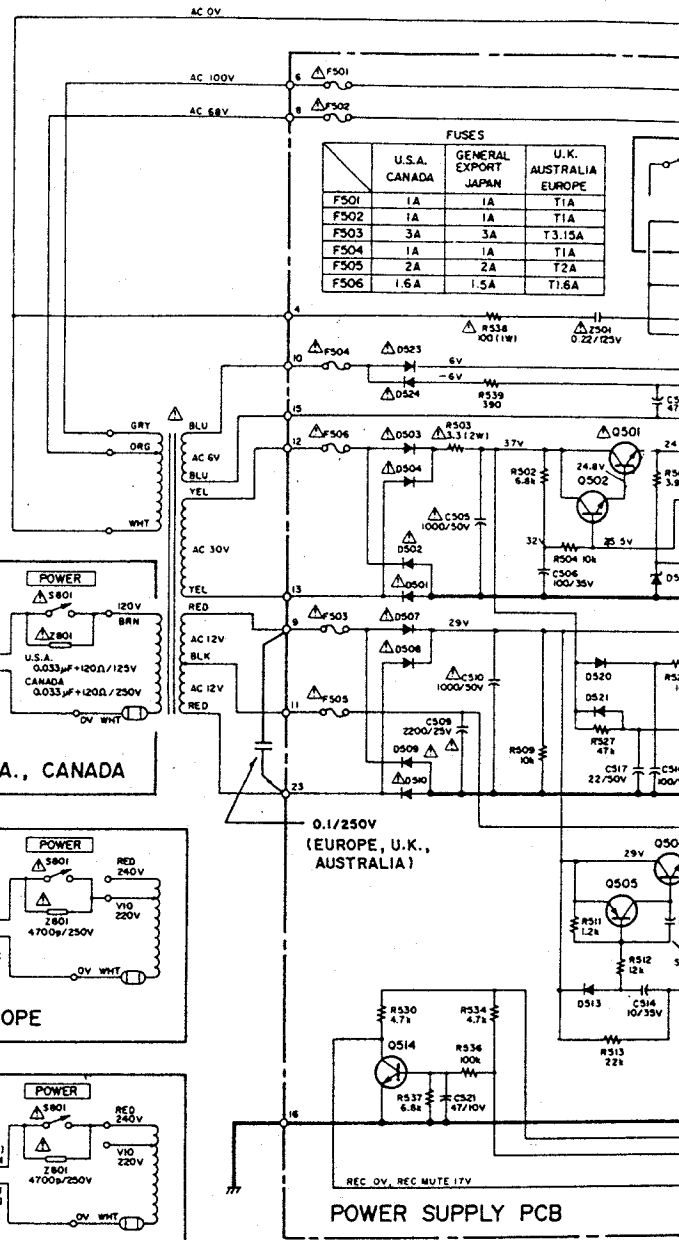
For Service Manuals Contact
MAURITRON TECHNICAL SERVICES
 8 Cherry Tree Rd, Chinnor
 Oxon OX9 4QY
 Tel:- 01844-351694 Fax:- 01844-352554
 Email:- enquiries@mauritron.co.uk

TEAC

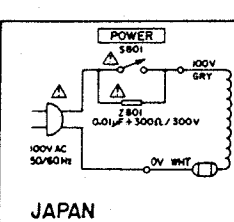
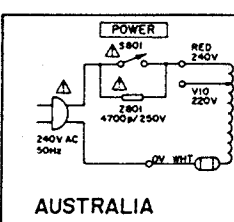
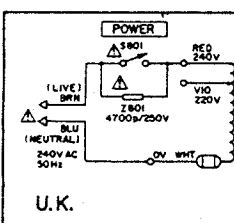
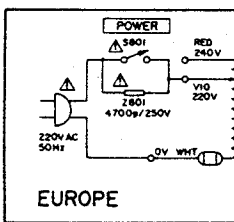
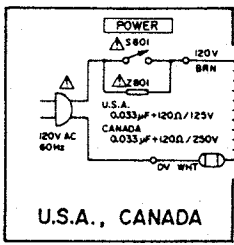
**THE QUALITY OF
 THIS PAGE IS
 THE BEST THAT
 IS AVAILABLE**



PCB 37
 PCB 21
 PCB 23

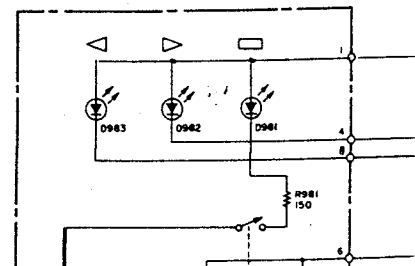


	U.S.A. CANADA	GENERAL EXPORT JAPAN	U.K. AUSTRALIA EUROPE
F501	1A	1A	T1A
F502	1A	1A	T1A
F503	3A	3A	T3.15A
F504	1A	1A	T1A
F505	2A	2A	T2A
F506	1.6A	1.5A	T1.6A

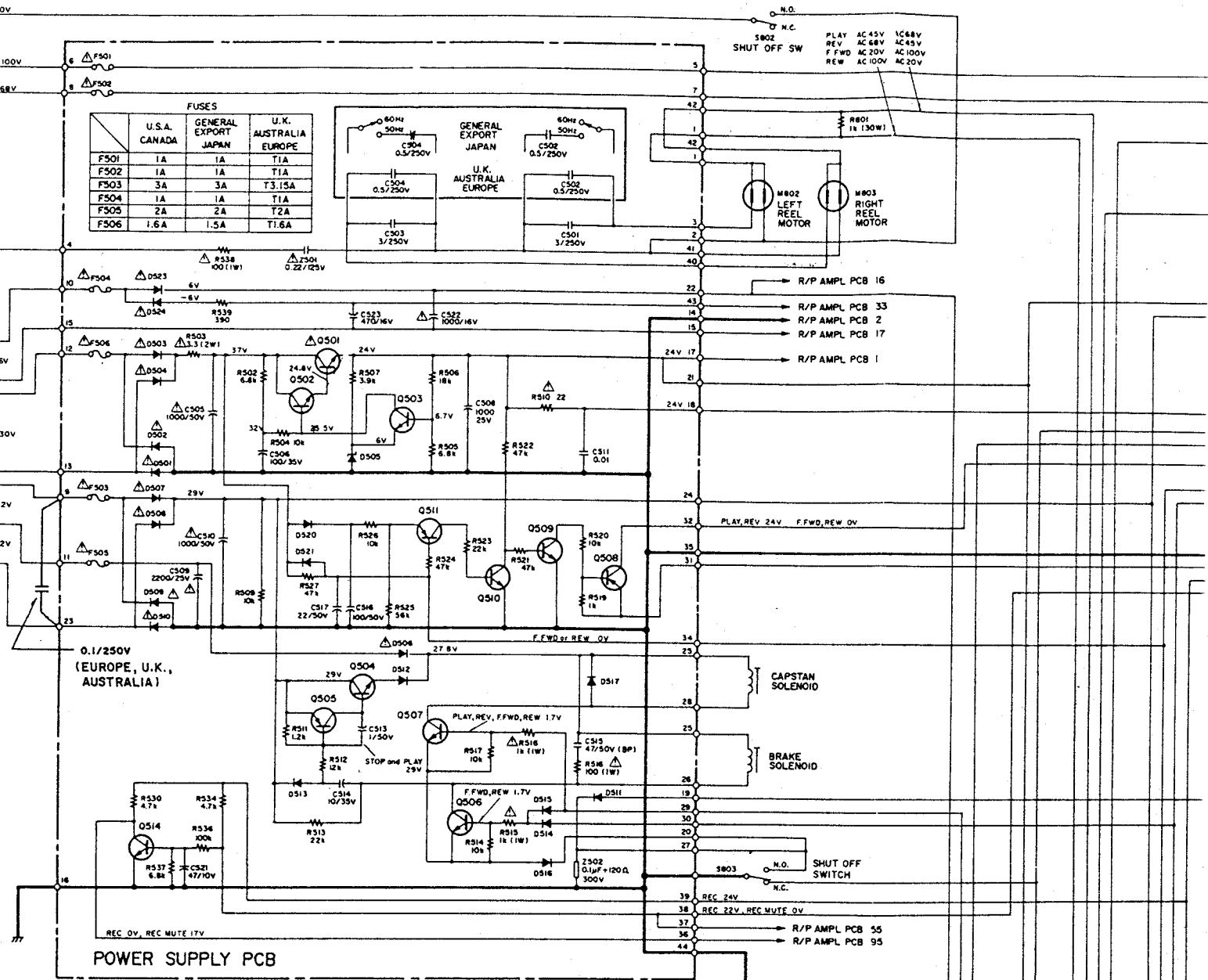


POWER SUPPLY PCB

Q501	2S0313 (E)	D501 ~ D504	E
Q502	2SC1318 (S)	D505	W
Q503	2SC536 (F)	D506	E
Q504	2S0313 (E)	D514, D515	IS
Q505	2SA720 (O)	D516, D517	E
Q506, Q507	2S0600K (F)	D520, D521	E
Q508	2SA720 (Q)	D523, D524	E
Q509, Q510	2SC945A (K)		
Q511	2SA733 (P)		
Q514	2SC945A (K)		

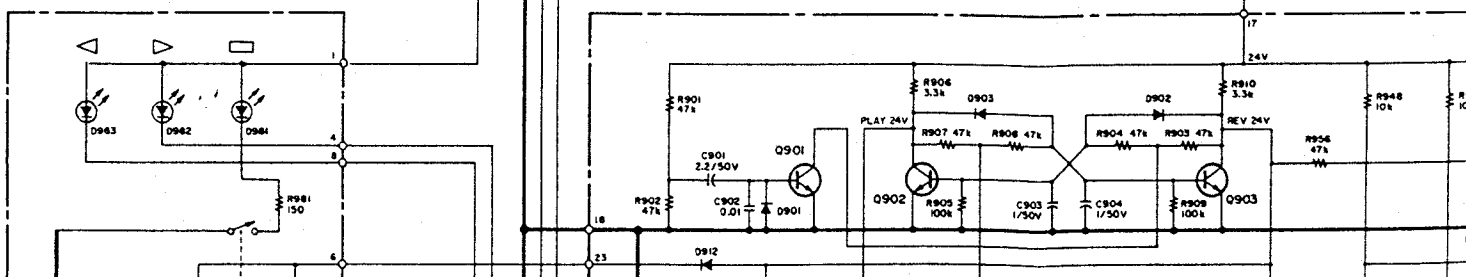


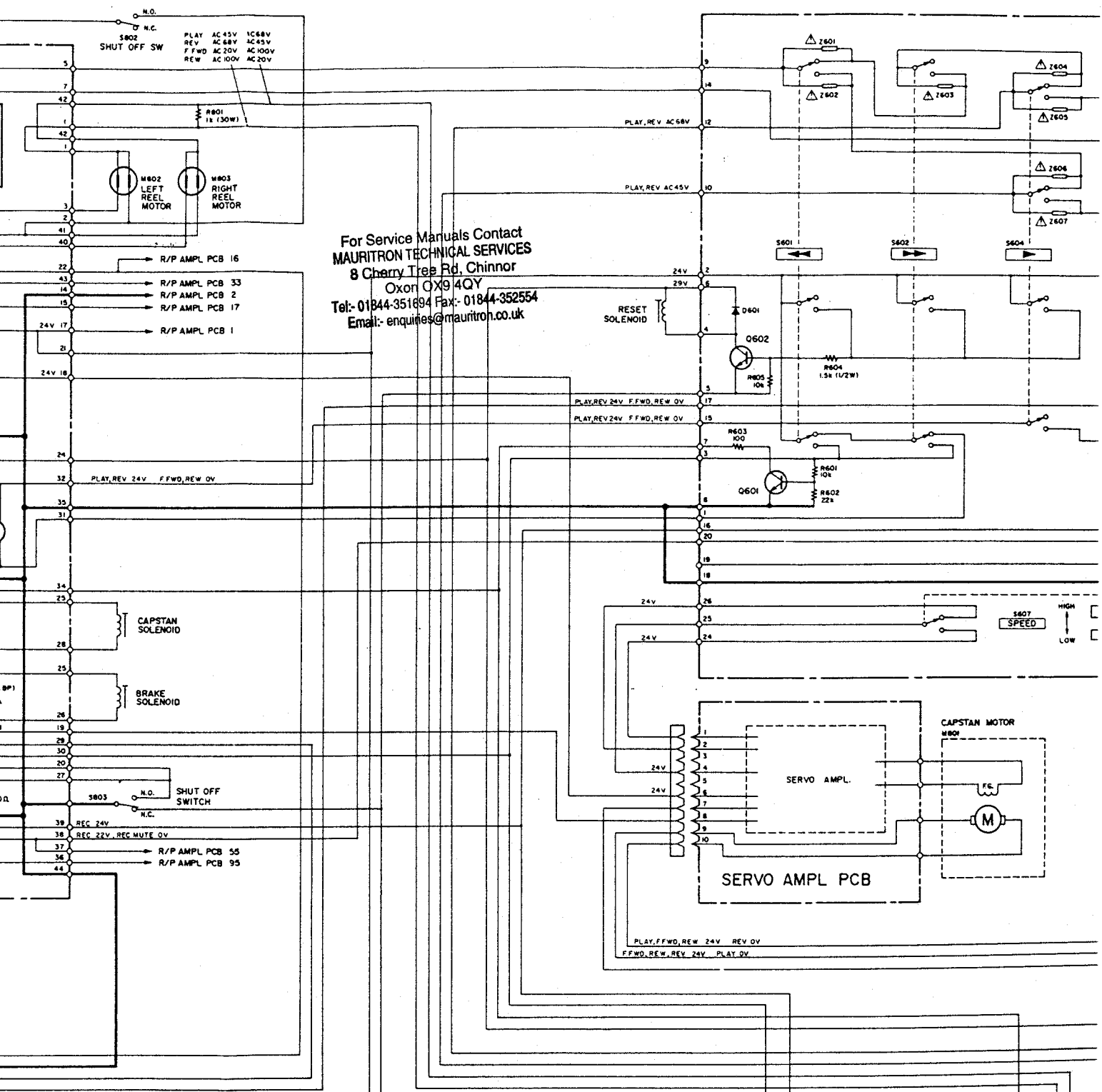
TEAC



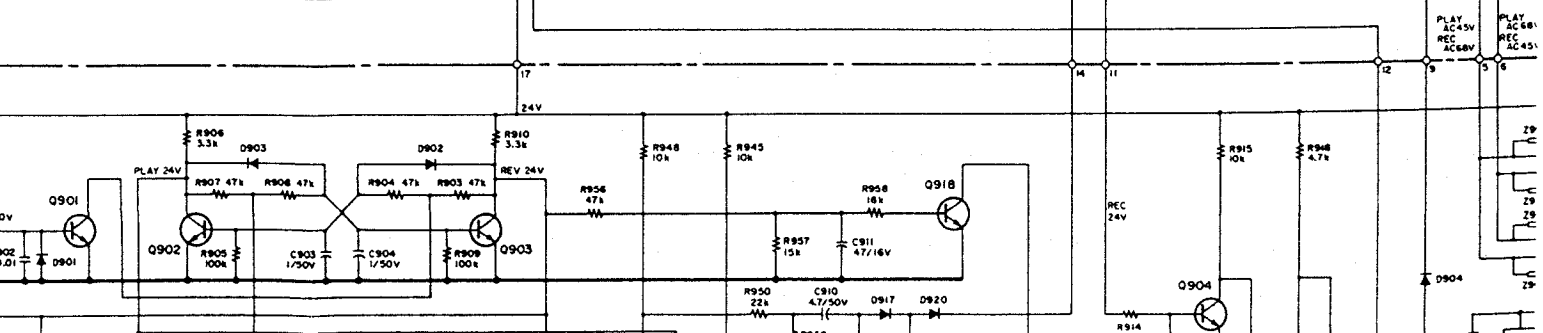
POWER SUPPLY PCB

- Q501 2SD313 (E)
- Q502 2SC1318 (S)
- Q503 2SC536 (F)
- Q504 2SD313 (E)
- Q505 2SA720 (O)
- Q506, Q507 2SD600K (F)
- Q508 2SA720 (O)
- Q509, Q510 2SC945A (K)
- Q511 2SA733 (P)
- Q514 2SC945A (K)
- D501 ~ D504 ERB12-02G1
- D505 WZ-061
- D506 ERB12-02G1
- D514, D515 IS2473
- D516, D517 ERB12-02G1
- D520, D521 ERB12-02G1
- D523, D524 ERB12-02G1
- D507 ~ D510 1R5JZ61
- D511 ~ D513 EBR12-02G1

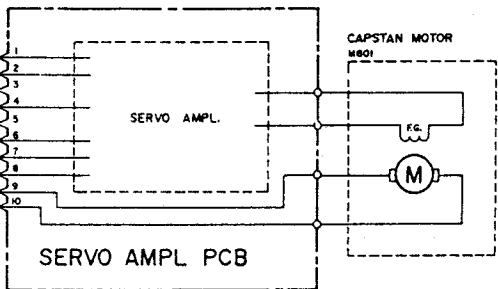
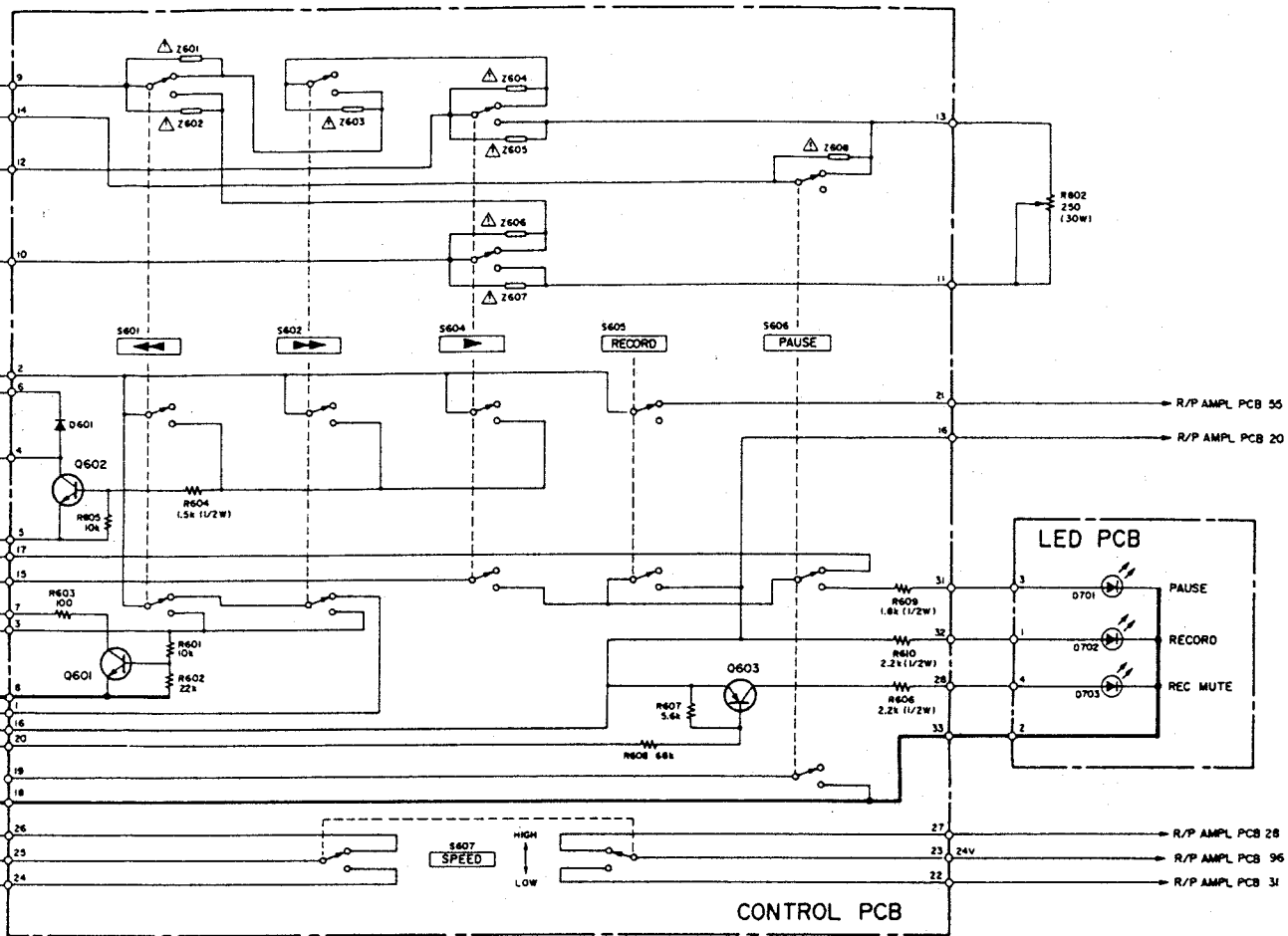




For Service Manuals Contact
MAURITRON TECHNICAL SERVICES
 8 Cherry Tree Rd, Chinnor
 Oxon OX9 4QY
 Tel: 01844-351894 Fax: 01844-352554
 Email: enquiries@mauritron.co.uk



X-3R CONTROL



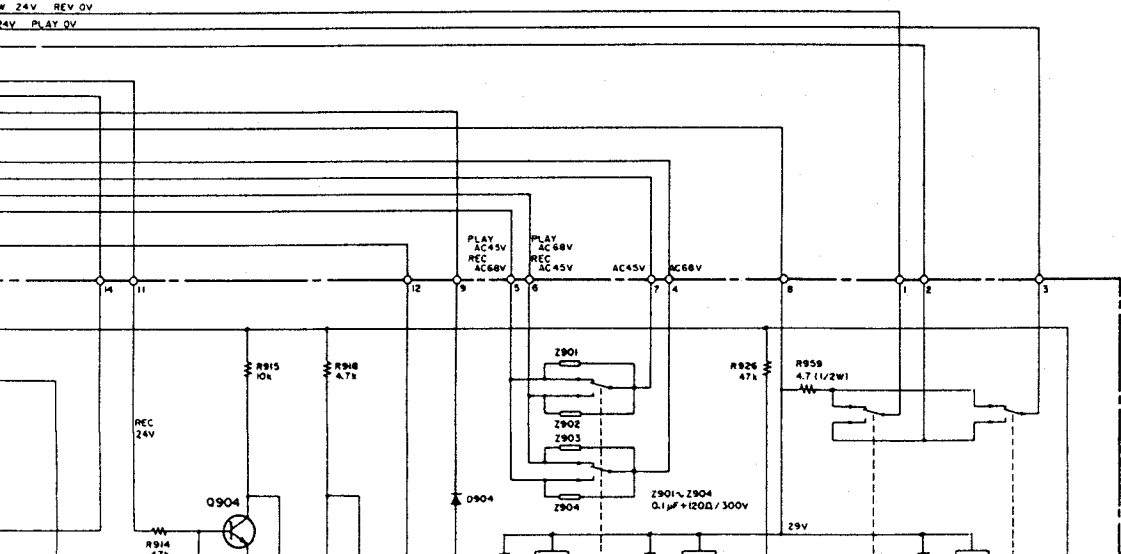
CONTROL PCB

- Q601 2SC1318 (S)
- Q602 2SD600K (F)
- Q603 2SA733 (P)
- D601 ERB12-02G1

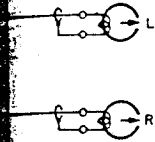
REVERSE PCB

- Q901 ~ Q918 2SC945A (K)
- D901 ~ D904 IS2473HJ
- D905, D906 ERB12-02G1
- D907, D908 IS2473HJ
- D909 WZ-061
- D910 ERB12-02G1
- D911 ~ D918 IS2473HJ
- D919, D920 ERB12-02G1

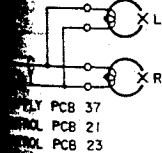
W 24V REV 0V
24V PLAY 0V



RECORD HEAD

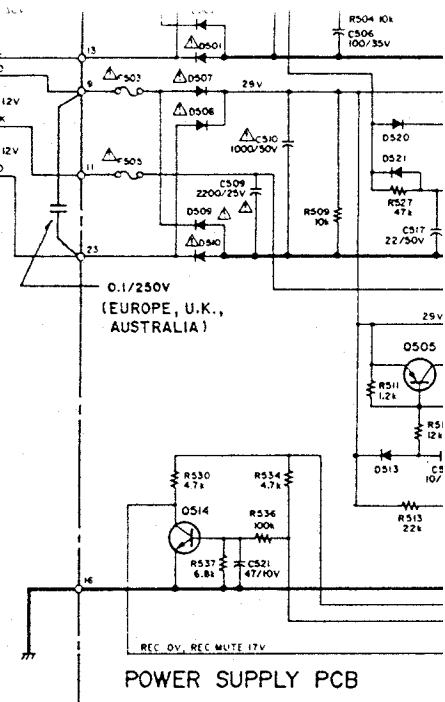
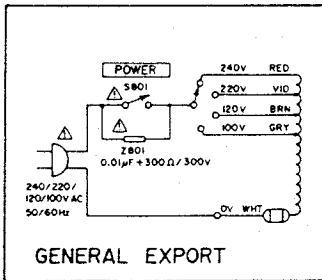
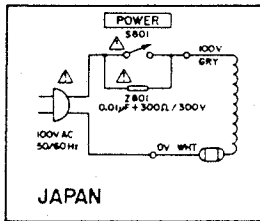
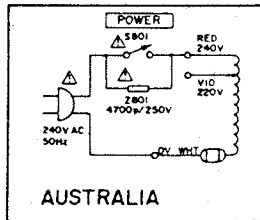
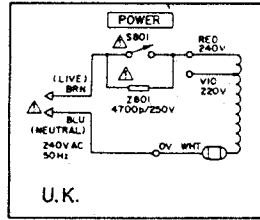
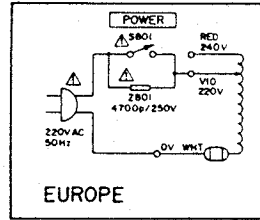
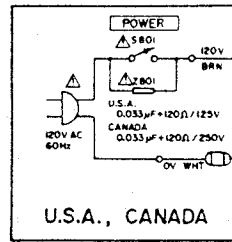


ERASE HEAD



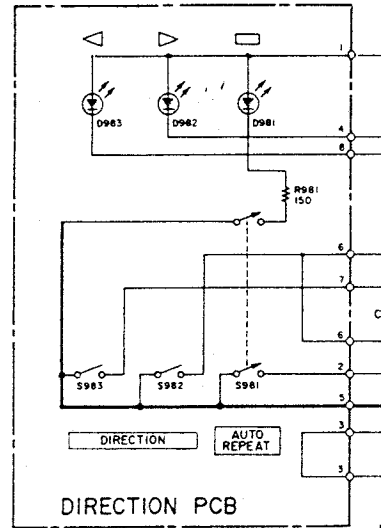
PLY PCB 37
 ENCL PCB 21
 ENCL PCB 23

For Service Manuals Contact
MAURITRON TECHNICAL SERVICES
 8 Cherry Tree Rd, Chinnor
 Oxon OX9 4QY
 Tel: 01844-351694 Fax: 01844-352554
 Email: enquiries@mauritron.co.uk



POWER SUPPLY PCB

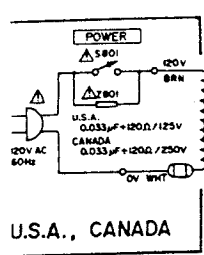
Q501	2SD313 (E)	D501	~ D50C
Q502	2SC1318 (S)	D505	
Q503	2SC536 (F)	D506	
Q504	2SD313 (E)	D514, D51	
Q505	2SA720 (O)	D516, D51	
Q506, Q507	2SD600K (F)	D520, D52	
Q508	2SA720 (Q)	D523, D52	
Q509, Q510	2SC945A (K)		
Q511	2SA733 (P)		
Q514	2SC945A (K)		



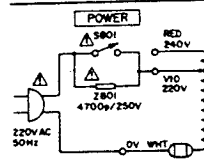
Tape speed 19 cm/s (7-1/2 ips) and 9.5 cm/s (3-3/4 ips)
 Tape speed deviation 3,000 Hz ± 30 Hz

Wow and flutter
 Playback:

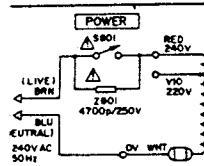
Record/playback:



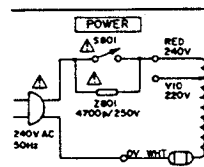
U.S.A., CANADA



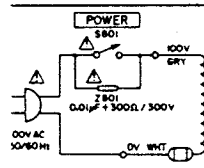
EUROPE



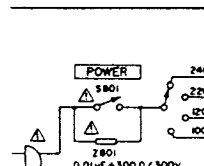
U.K.



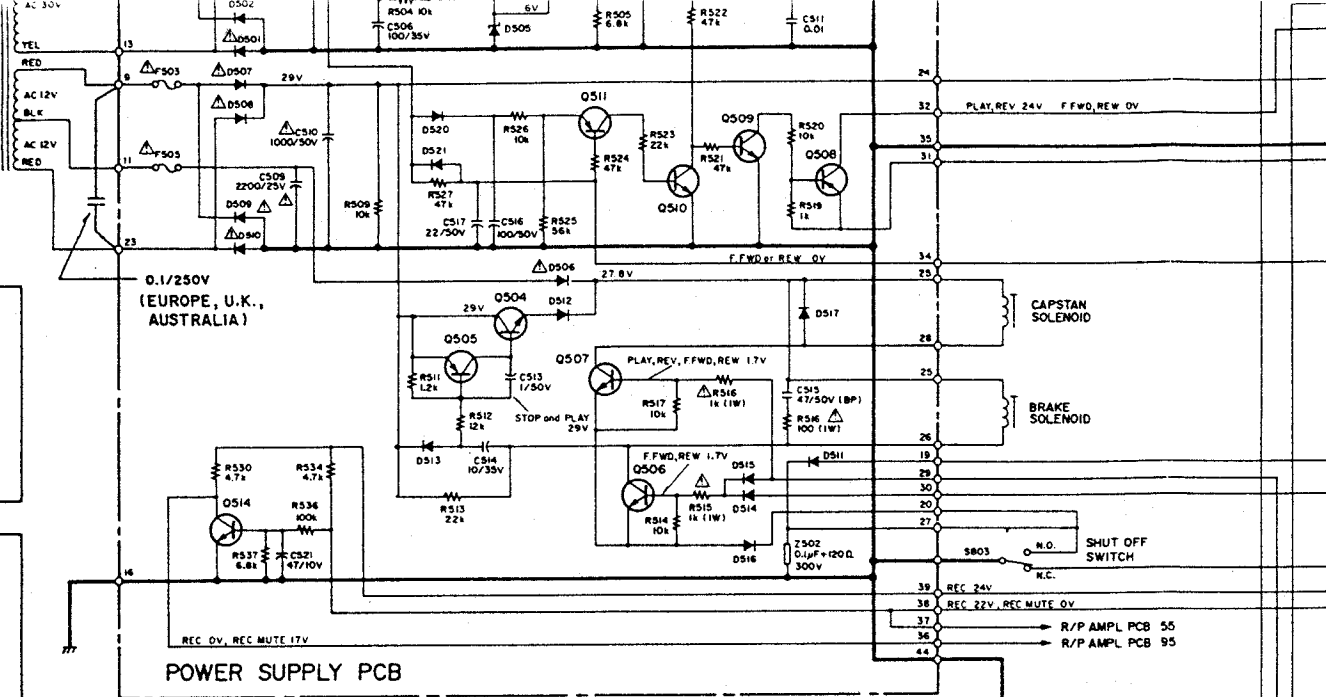
AUSTRALIA



JAPAN

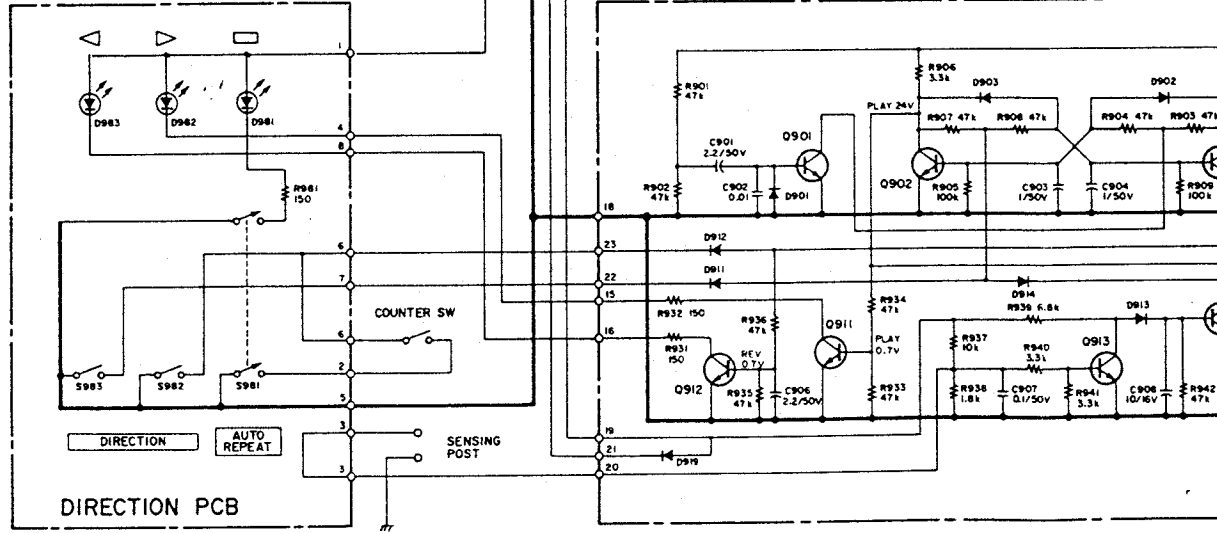


GENERAL EXPORT



POWER SUPPLY PCB

Q501	2SD313 (E)	D501 ~ D504	ERB12-02G1	D507, D510	1R5J261
Q502	2SC1318 (S)	D505	WZ-061	D511, D515	EBR12-02G1
Q503	2SC536 (F)	D506	ERB12-02G1		
Q504	2SD313 (E)	D514, D515	IS2473		
Q505	2SA720 (O)	D516, D517	ERB12-02G1		
Q506, Q507	2SD600K (F)	D520, D521	ERB12-02G1		
Q508	2SA720 (O)	D523, D524	ERB12-02G1		
Q509, Q510	2SC945A (K)				
Q511	2SA733 (P)				
Q514	2SC945A (K)				

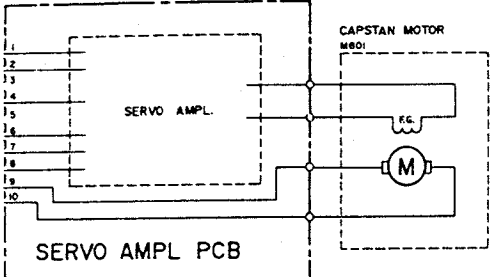
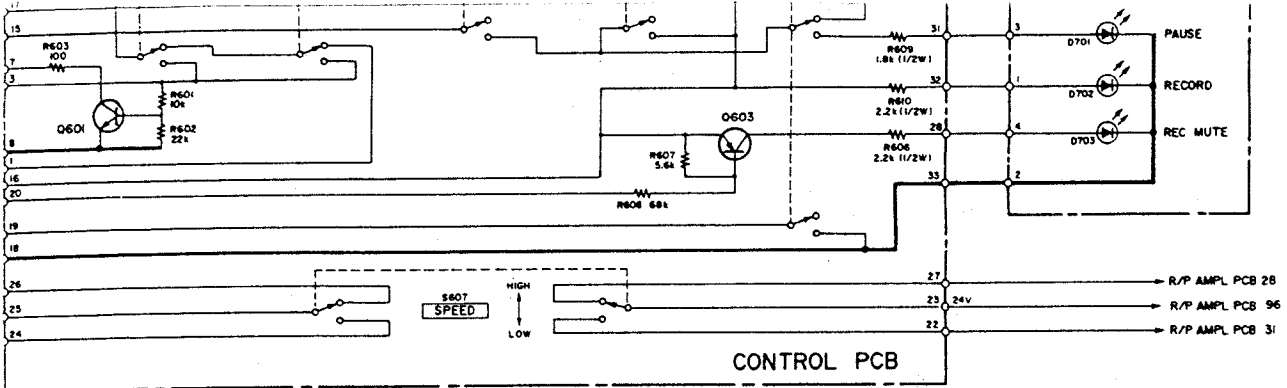


DIRECTION PCB

e speed 19 cm/s (7-1/2 ips) and 9.5 cm/s (3-3/4 ips)
 e speed deviation 3,000 Hz ± 30 Hz

Wow and flutter
 Playback: 0.06% (WRMS), 0.12% (RMS) at 19 cm/s
 0.10% (WRMS), 0.15% (RMS) at 9.5 cm/s
 Record/playback: 0.08% (WRMS) at 19 cm/s
 0.15% (WRMS) at 9.5 cm/s

Pinch roller pressure 1.5 to 1.7 kg (3.31 to 3.75 lbs)
 Reel torque (play mode)
 Take-up: 330 to 470 g-cm (4.5 to 6.4 oz-in)
 Back tension: 220 to 280 g-cm (3.0 to 4.0 oz-in)

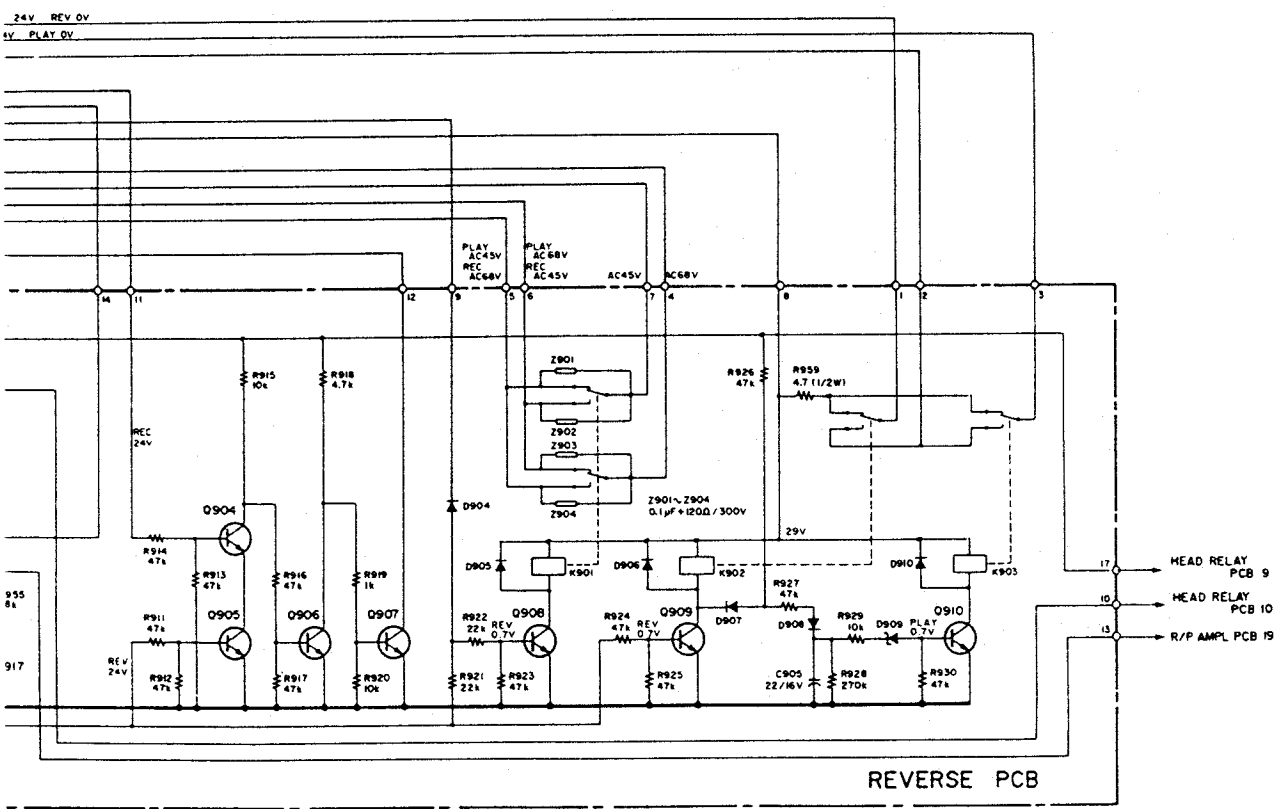


CONTROL PCB

- Q601 2SC1318 (S)
- Q602 2SD600K (F)
- Q603 2SA733 (P)
- D601 ERB12-02GI

REVERSE PCB

- O901 ~ O918 2SC945A (K)
- D901 ~ D904 IS2473HJ
- D905, D906 ERB12-02GI
- D907, D908 IS2473HJ
- D909 WZ-061
- D910 ERB12-02GI
- D911 ~ D918 IS24734J
- D919, D920 ERB12-02GI

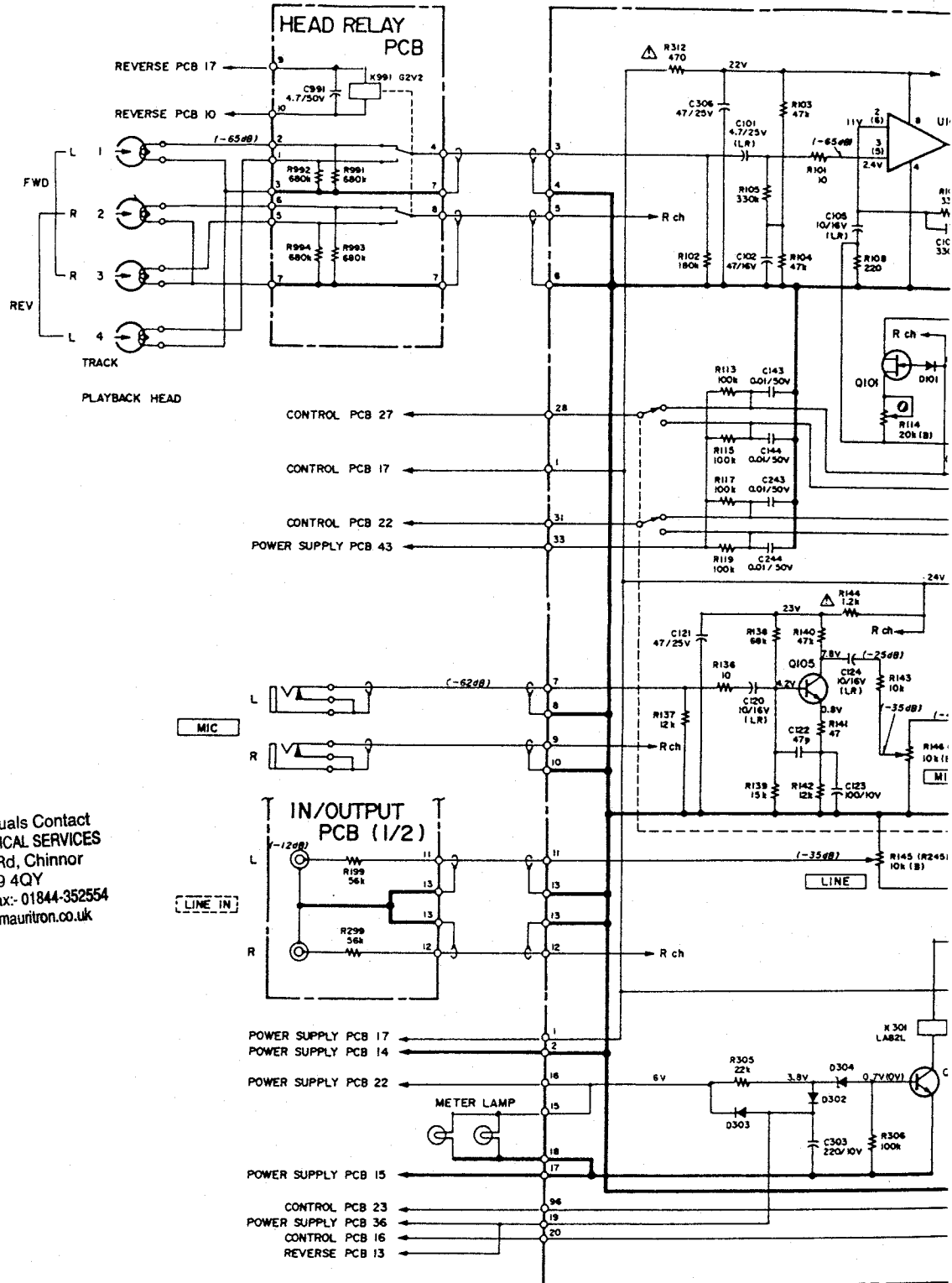


) to 1400 g-cm (16.7 to 19.4 oz-inch)
 to 700 g-cm (6.94 to 9.72 oz-inch)
 g-cm (2.09 oz-inch)

**THE QUALITY OF
 THIS PAGE IS
 THE BEST THAT
 IS AVAILABLE**

X-3R AMPLIFIER

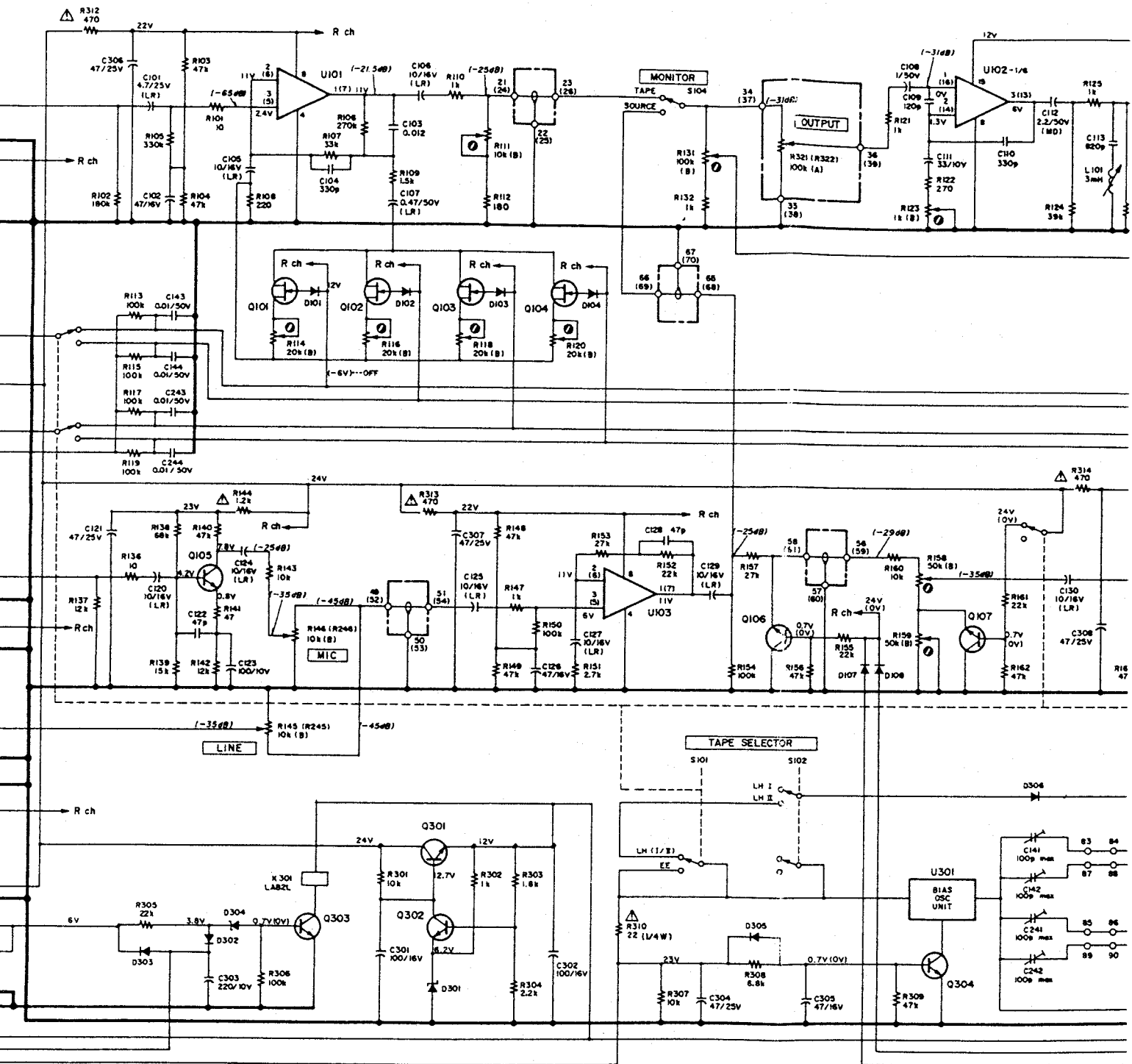
TEAC



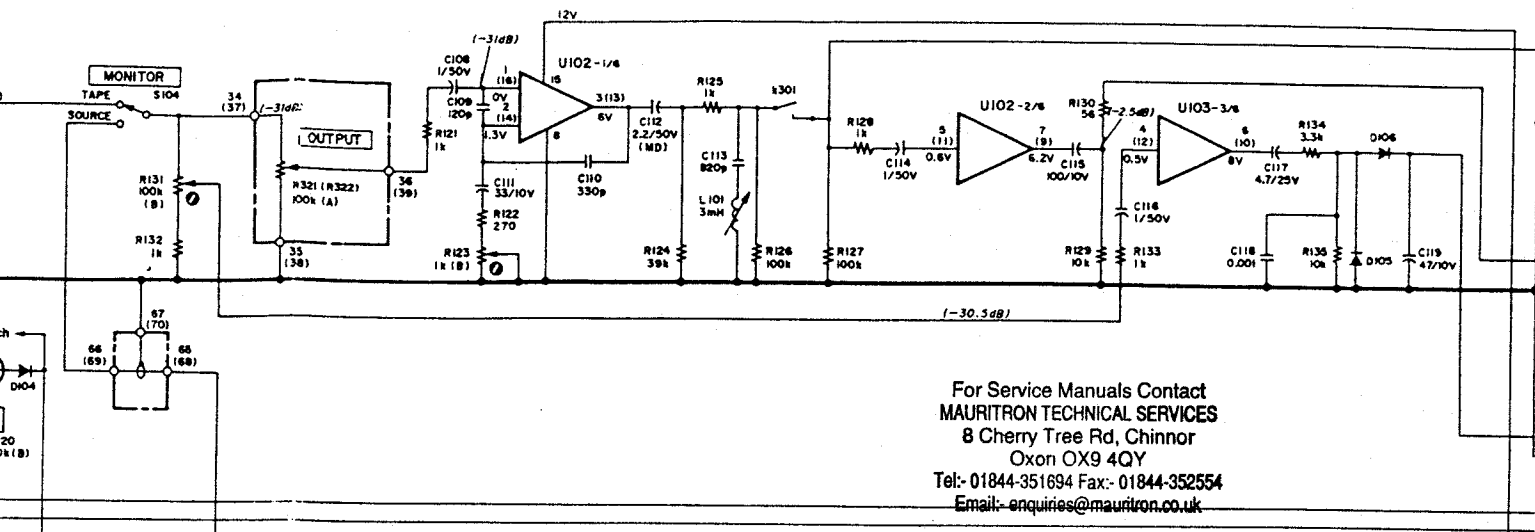
For Service Manuals Contact
MAURITRON TECHNICAL SERVICES
 8 Cherry Tree Rd, Chinnor
 Oxon OX9 4QY
 Tel:- 01844-351694 Fax:- 01844-352554
 Email:- enquiries@mauritron.co.uk

U101	JRC4558DD	Q101 (Q201)	2SK68AM
U102	HA11122W	Q102 (Q202)	2SK68AM
U103	4558DF	Q103 (Q203)	2SK68AM
U104	4558DF	Q104 (Q204)	2SK68AM
		Q105 (Q205)	2SC2240BL
		Q106 (Q206)	2SD655E
		Q107 (Q207)	2SC945AK
		Q108 (Q208)	2SC945AK
		Q109 (Q209)	2SC945AK
		Q110 (Q210)	2SC945AK

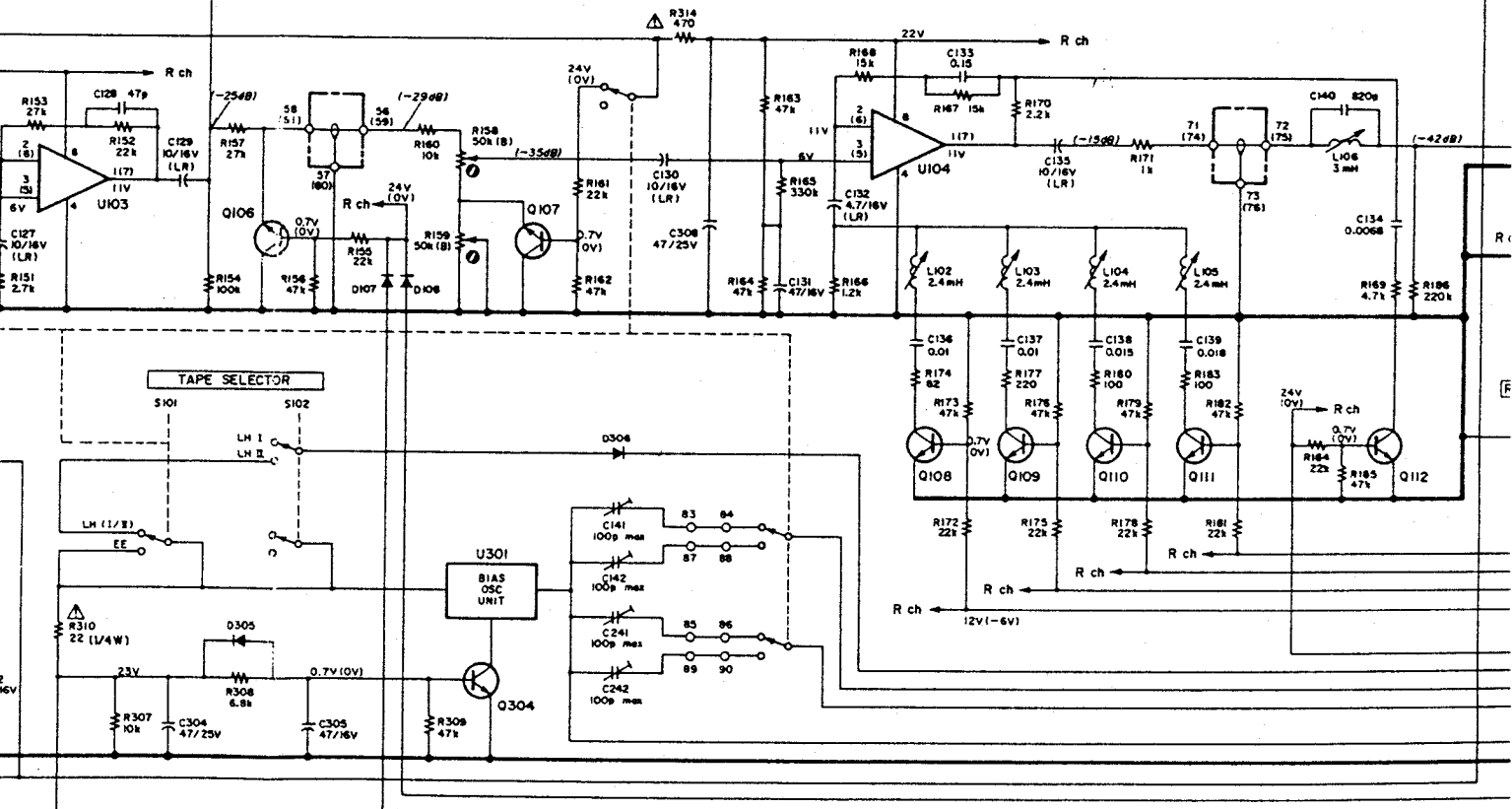
THE QUALITY OF



01	JRC4558DD	Q101 (Q201)	2SK68AM	Q110 (Q210)	2SC945AK	D101 (D201)	IS2473HJ	D301	RD6.2EB
02	HA11122W	Q102 (Q202)	2SK68AM	Q112 (Q212)	2SC945AK	D102 (D202)	IS2473HJ	D302	IS2473HJ
03	4558DF	Q103 (Q203)	2SK68AM			D103 (D203)	IS2473HJ	D303	IS2473HJ
04	4558DF	Q104 (Q204)	2SK68AM			D104 (D204)	IS2473HJ	D304	RD4.2EB
		Q105 (Q205)	2SC2240BL			D105 (D205)	IN60	D305	IS2473HJ
		Q106 (Q206)	2SD655E	Q301	2SC1384 (R)	D106 (D206)	IN60	D306	IS2473HJ
		Q107 (Q207)	2SC945AK	Q302	2SC945AK	D107 (D207)	IS2473HJ		
		Q108 (Q208)	2SC945AK	Q303	2SC945AK	D108 (D208)	IS2473HJ		
		Q109 (Q209)	2SC945AK	Q304	2SC945AK				
		Q110 (Q210)	2SC945AK						



For Service Manuals Contact
MAURITRON TECHNICAL SERVICES
 8 Cherry Tree Rd, Chinnor
 Oxon OX9 4QY
 Tel: 01844-351694 Fax: 01844-352554
 Email: enquiries@mauritron.co.uk

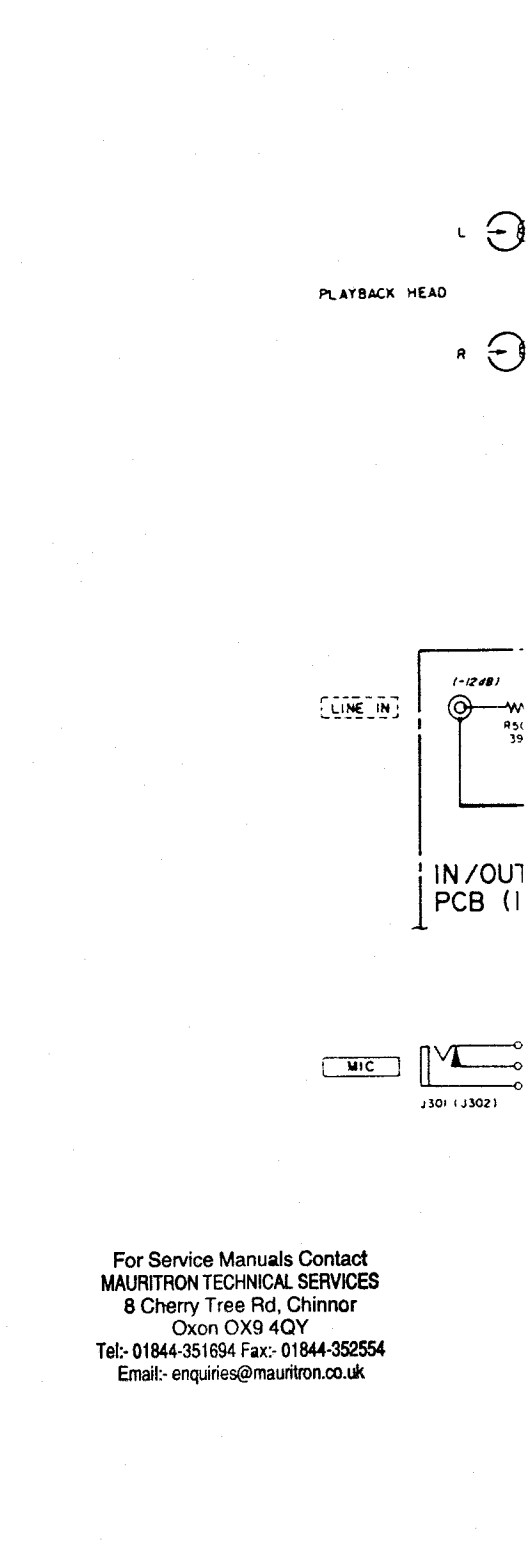
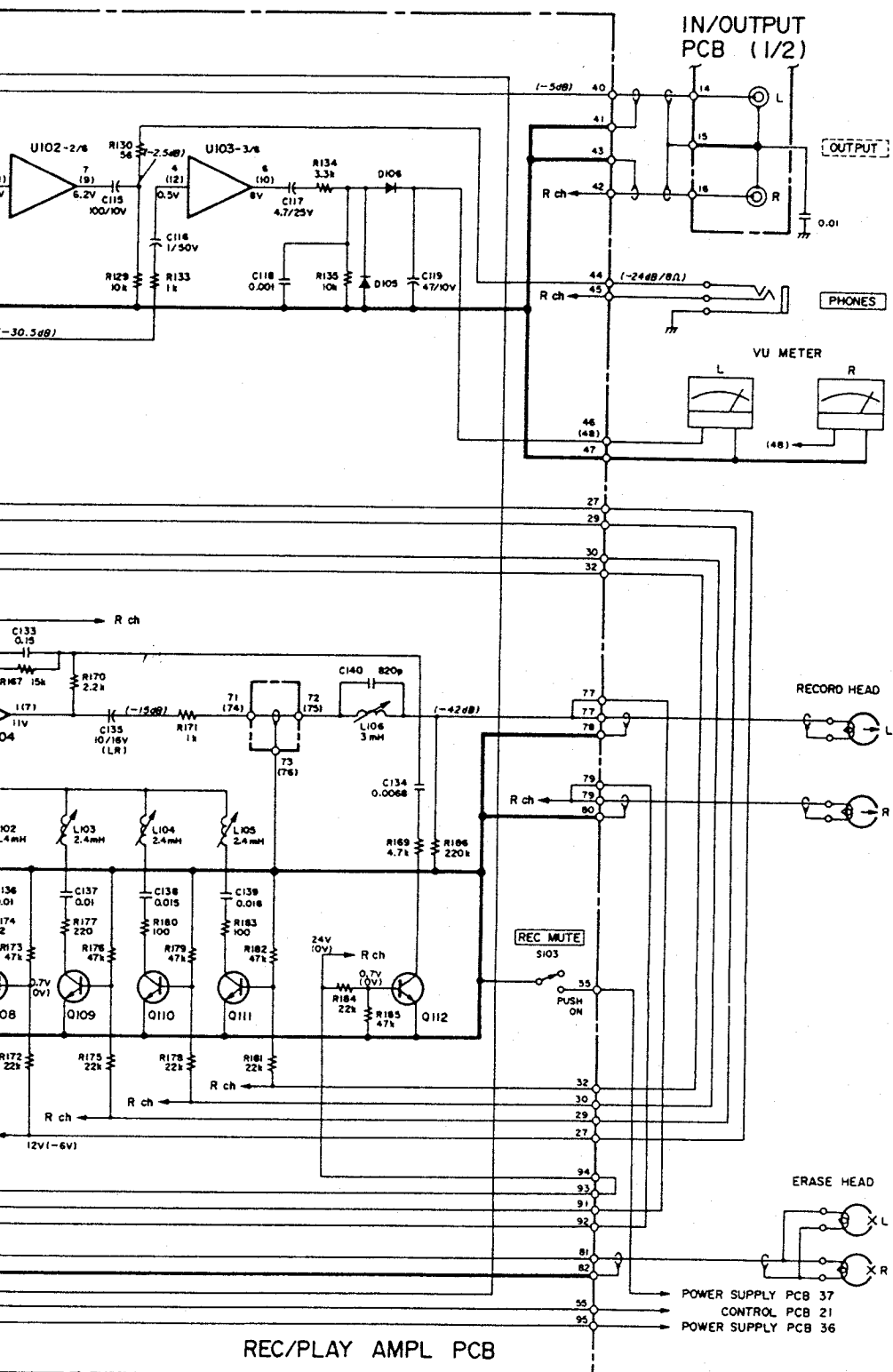


REC/PLAY AMPL PCB

ADJUSTMENT POINTS

(D201)	IS2473HJ	D301	RD6.2EB
(D202)	IS2473HJ	D302	IS2473HJ
(D203)	IS2473HJ	D303	IS2473HJ
(D204)	IS2473HJ	D304	RD4.2EB
(D205)	1N60	D305	IS2473HJ
(D206)	1N60	D306	IS2473HJ
(D207)	IS2473HJ		
(D208)	IS2473HJ		

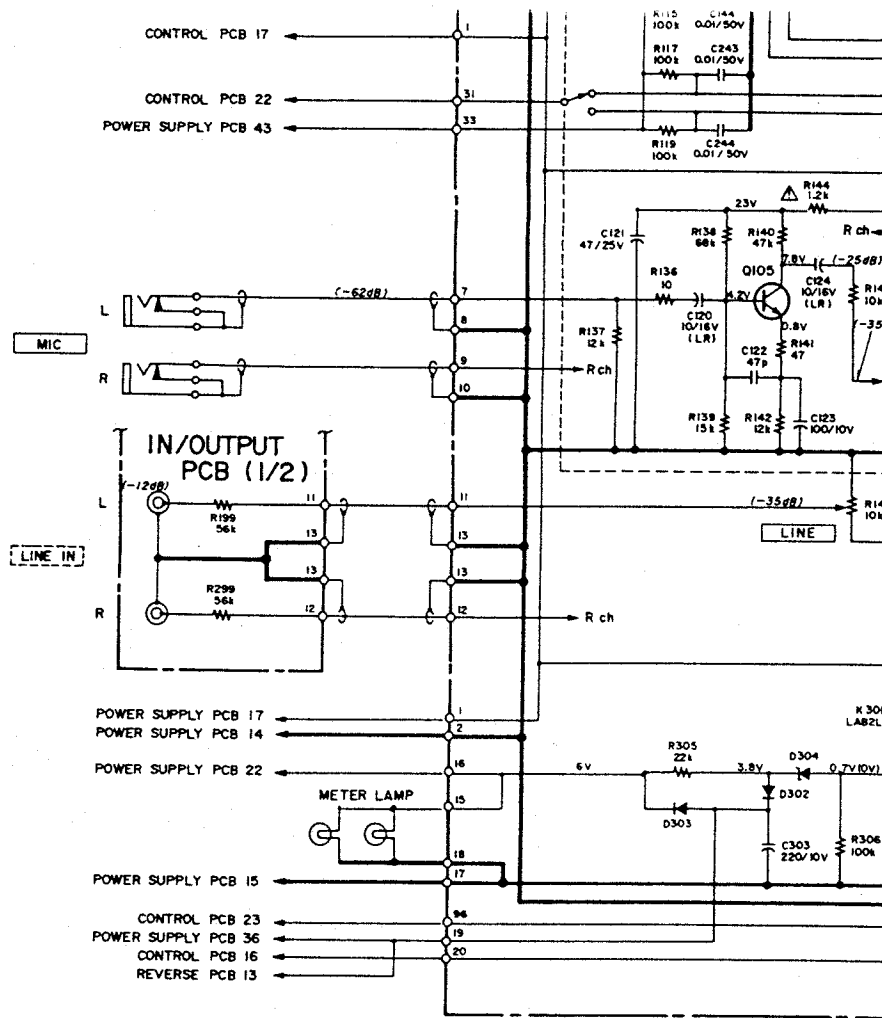
C141/C241	Record bias (LH II)	R111/R211	Playback level
C142/C242	Record bias (EE)	R114/R214	Playback EQ (HIC)
L101/L201	Bias trap (OUTPUT)	R116/R216	Playback EQ (HIC)
L102/L202	Record EQ (HIGH, LH II)	R118/R218	Playback EQ (LO)
L103/L203	Record EQ (HIGH, EE)	R120/R220	Playback EQ (LO)
L104/L204	Record EQ (LOW, LH II)	R123/R223	MONITOR output
L105/L205	Record EQ (LOW, EE)	R131/R231	VU meter level
L106/L206	Bias trap	R158/R258	Record level (LH)
		R159/R259	Record level (EE)



For Service Manuals Contact
MAURITRON TECHNICAL SERVICES
 8 Cherry Tree Rd, Chinnor
 Oxon OX9 4QY
 Tel: 01844-351694 Fax: 01844-352554
 Email: enquiries@mauritron.co.uk

TEST POINTS

11	Record bias (LH II)	R111/R211	Playback level
12	Record bias (EE)	R114/R214	Playback EQ (HIGH, EE)
11	Bias trap (OUTPUT)	R116/R216	Playback EQ (HIGH, LH)
12	Record EQ (HIGH, LH II)	R118/R218	Playback EQ (LOW, EE)
13	Record EQ (HIGH, EE)	R120/R220	Playback EQ (LOW, LH)
14	Record EQ (LOW, LH II)	R123/R223	MONITOR output level
15	Record EQ (LOW, EE)	R131/R231	VU meter level
16	Bias trap	R158/R258	Record level (LH II)
		R159/R259	Record level (EE)

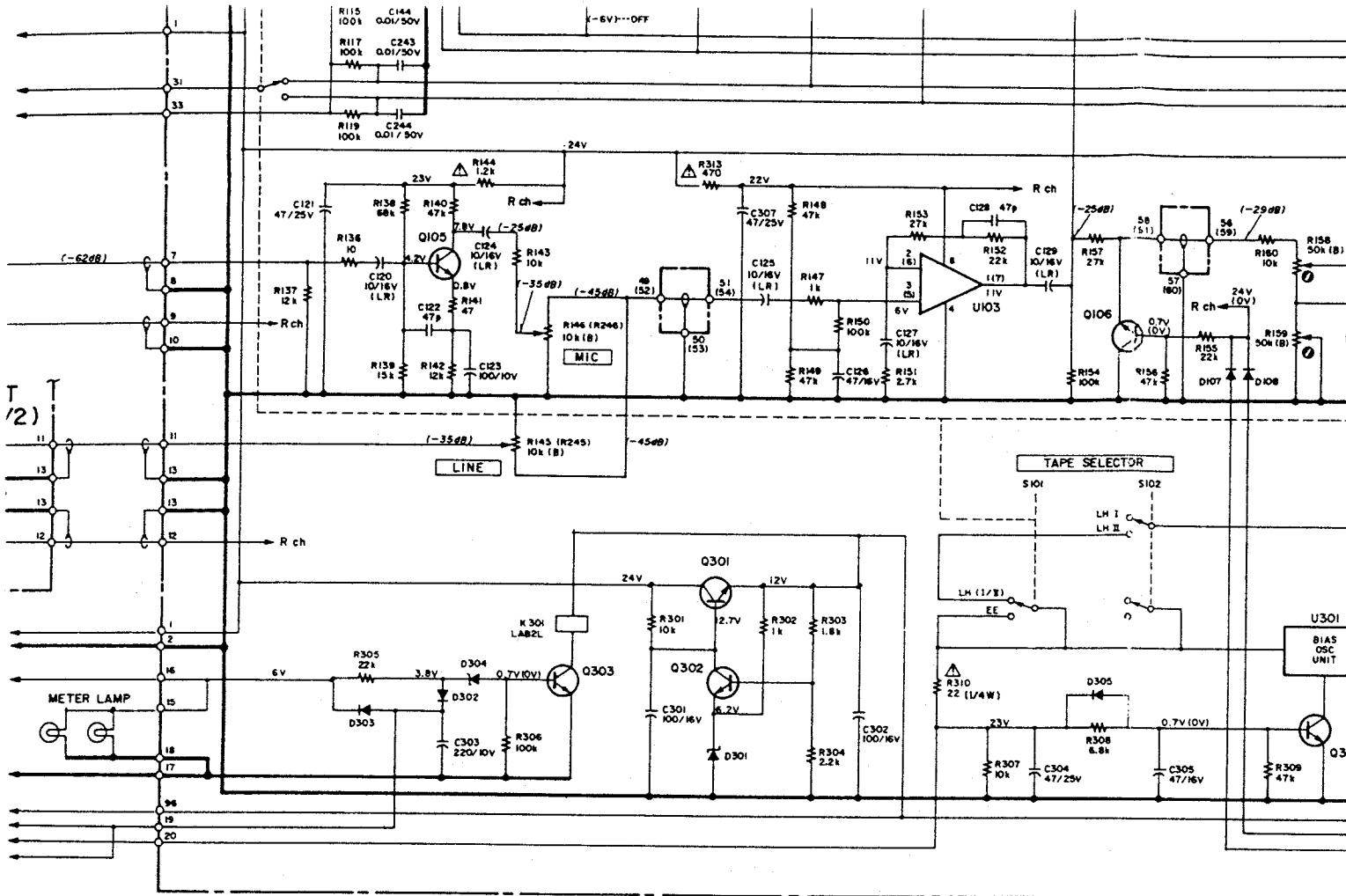


U101	JRC4558DD	Q101 (Q201)	25K68AM
U102	HA11122W	Q102 (Q202)	25K68AM
U103	4558DF	Q103 (Q203)	25K68AM
U104	4558DF	Q104 (Q204)	25K68AM
		Q105 (Q205)	25C2240B
		Q106 (Q206)	25D655E
		Q107 (Q207)	25C945AK
		Q108 (Q208)	25C945AK
		Q109 (Q209)	25C945AK
		Q110 (Q210)	25C945AK

**THE QUALITY OF
THIS PAGE IS
THE BEST THAT
IS AVAILABLE**

- Inputs (level and impedance)**
- MIC: Specified input level: -60 dB (0.775 mV)
 - Min. input level: -70 dB (245 μV)
 - LINE IN: Specified input level: -12 dB (195 mV)
 - Min. input level: -22 dB (61.5 mV)
- Outputs (level and impedance)**
- OUTPUT: Specified output level: -5 dB (436 mV)
 - Max. output level: +1 dB (0.869 V)
 - PHONES: Specified output level: -24 dB (48.9 mV)

For Service Manuals Contact
MAURITRON TECHNICAL SERVICES
 8 Cherry Tree Rd, Chinnor
 Oxon OX9 4QY
 Tel:- 01844-351694 Fax:- 01844-352554
 Email:- enquiries@mauritron.co.uk



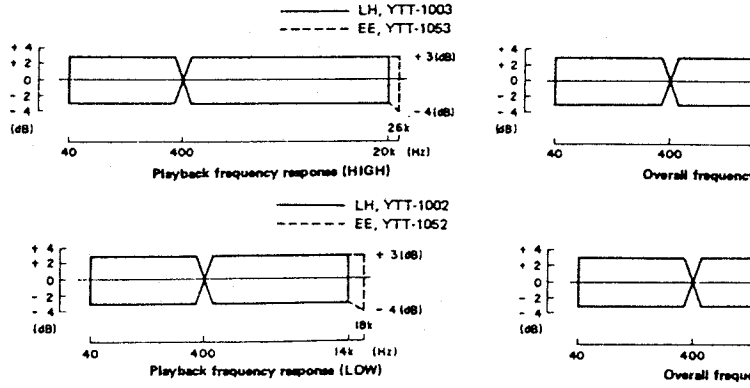
U101	JRC4558DD	Q101 (Q201)	2SK68AM	Q110 (Q210)	2SC945AK	D101 (D201)	IS2473HJ	D301	RD6.2EB
U102	HA11122W	Q102 (Q202)	2SK68AM	Q112 (Q212)	2SC945AK	D102 (D202)	IS2473HJ	D302	IS2473HJ
U103	4558DF	Q103 (Q203)	2SK68AM			D103 (D203)	IS2473HJ	D303	IS2473HJ
U104	4558DF	Q104 (Q204)	2SK68AM			D104 (D204)	IS2473HJ	D304	RD4.2EB
		Q105 (Q205)	2SC2240BL			D105 (D205)	IN60	D305	IS2473HJ
		Q106 (Q206)	2SD655E	Q301	2SC1384 (R)	D106 (D206)	IN60	D306	IS2473HJ
		Q107 (Q207)	2SC945AK	Q302	2SC945AK	D107 (D207)	IS2473HJ		
		Q108 (Q208)	2SC945AK	Q303	2SC945AK	D108 (D208)	IS2473HJ		
		Q109 (Q209)	2SC945AK	Q304	2SC945AK				
		Q110 (Q210)	2SC945AK						

Inputs (level and impedance)

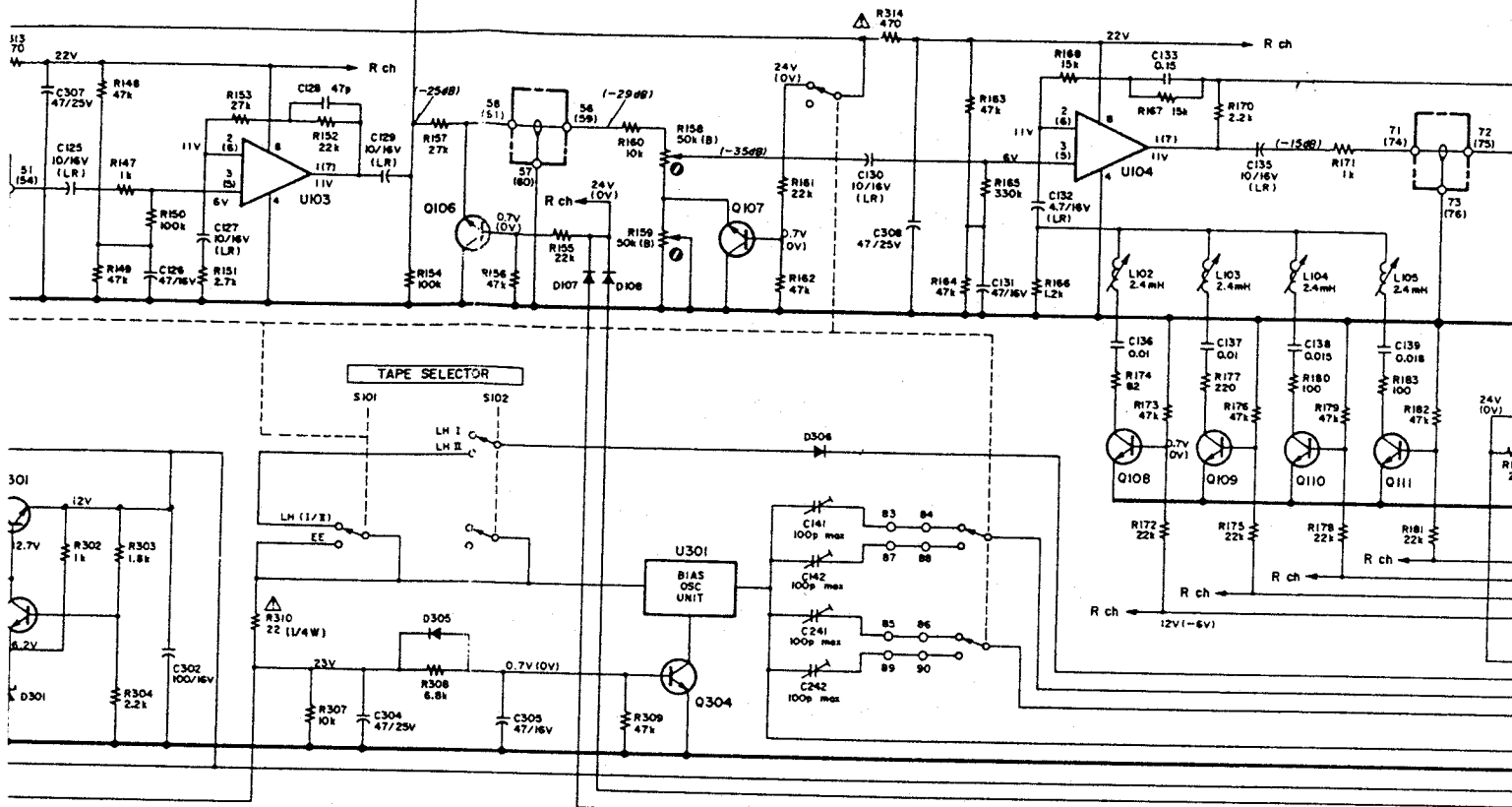
- MIC:** Specified input level: -60 dB (0.775 mV)/10 kohms
Min. input level: -70 dB (245 μV)
- LINE IN:** Specified input level: -12 dB (195 mV)/50 kohms
Min. input level: -22 dB (61.5 mV)

Outputs (level and impedance)

- OUTPUT:** Specified output level: -5 dB (436 mV)/10 kohms
Max. output level: +1 dB (0.869 V)
- PHONES:** Specified output level: -24 dB (48.9 mV)/8 ohms



For Service Manuals Contact
MAURITRON TECHNICAL SERVICES
 8 Cherry Tree Rd, Chinnor
 Oxon OX9 4QY
 Tel: 01844-351894 Fax: 01844-352554
 Email: enquiries@mauritron.co.uk



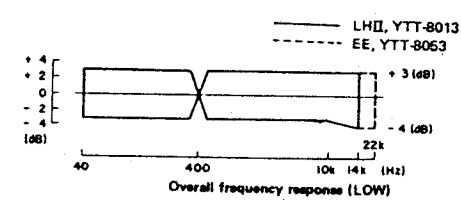
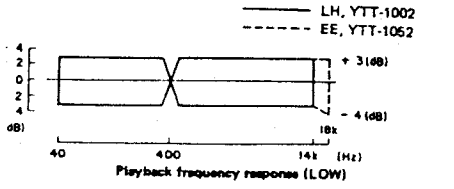
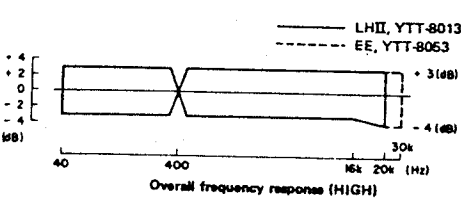
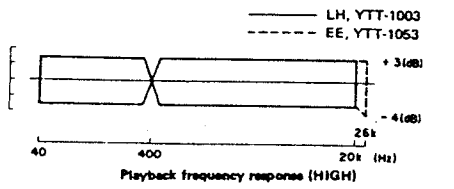
REC/PLAY

2SC945AK	D101 (D201)	IS2473HJ	D301	RD6.2EB
2SC945AK	D102 (D202)	IS2473HJ	D302	IS2473HJ
	D103 (D203)	IS2473HJ	D303	IS2473HJ
	D104 (D204)	IS2473HJ	D304	RD4.2EB
	D105 (D205)	IN60	D305	IS2473HJ
2SC1384 (R)	D106 (D206)	IN60		
2SC945AK	D107 (D207)	IS2473HJ		
2SC945AK	D108 (D208)	IS2473HJ		
2SC945AK				

For Service Manuals Contact
MAURITRON TECHNICAL SERVICES
 9 Cherry Tree Rd, Chinnor
 Oxon OX9 4QY
 Tel: 01844-351694 Fax: 01844-352554
 Email: enquiries@mauritron.co.uk

ADJUSTMENT POINTS

C141/C241	Record bias (LH II)	R111/R211
C142/C242	Record bias (EE)	R114/R214
L101/L201	Bias trap (OUTPUT)	R116/R216
L102/L202	Record EQ (HIGH, LH II)	R118/R218
L103/L203	Record EQ (HIGH, EE)	R120/R220
L104/L204	Record EQ (LOW, LH II)	R123/R223
L105/L205	Record EQ (LOW, EE)	R131/R231
L106/L206	Bias trap	R158/R258
		R159/R259



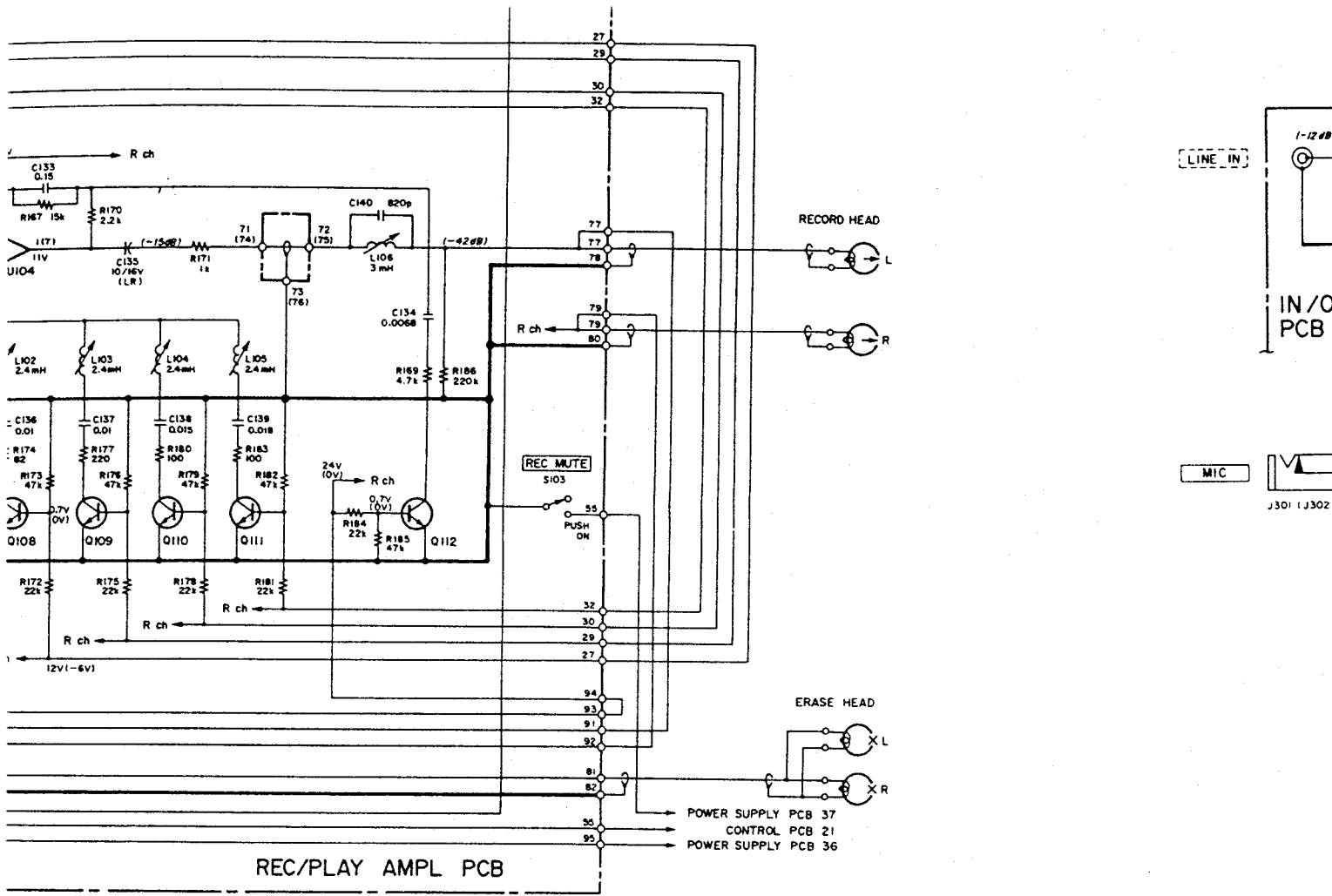
Signal-to-noise ratio

Playback		
	19 cm/s	9.5 cm/s
LH	≥49 dB	≥47 dB
EE	≥51 dB	≥49 dB

Playback equalization

"LH" tape: 19
 9.5
 "EE" tape: 19
 9.5
 Bias frequency

Overall		
	19 cm/s	9.5 cm/s
LH (II)	≥47 dB	≥45 dB
EE	≥48 dB	≥46 dB



STATEMENT POINTS

241	Record bias (LH II)	R111/R211	Playback level
242	Record bias (EE)	R114/R214	Playback EQ (HIGH, EE)
201	Bias trap (OUTPUT)	R116/R216	Playback EQ (HIGH, LH)
202	Record EQ (HIGH, LH II)	R118/R218	Playback EQ (LOW, EE)
203	Record EQ (HIGH, EE)	R120/R220	Playback EQ (LOW, LH)
204	Record EQ (LOW, LH II)	R123/R223	MONITOR output level
205	Record EQ (LOW, EE)	R131/R231	VU meter level
206	Bias trap	R158/R258	Record level (LH II)
		R159/R259	Record level (EE)

Playback equalization

"LH" tape: 19 cm/s: 3,180 μ s + 50 μ s (NAB)
 9.5 cm/s: 3,180 μ s + 90 μ s (NAB)
 "EE" tape: 19 cm/s: 3,180 μ s + 35 μ s
 9.5 cm/s: 3,180 μ s + 50 μ s
 Bias frequency 100 kHz

cm/s	9.5 cm/s
9 dB	≥ 47 dB
1 dB	≥ 49 dB

cm/s	9.5 cm/s
7 dB	≥ 45 dB
3 dB	≥ 46 dB

For Service Manuals Contact
MAURITRON TECHNICAL SERVICES
 8 Cherry Tree Rd, Chinnor
 Oxon OX9 4QY
 Tel: 01844-35189 Fax: 01844-352554
 Email: enquiries@mauritron.co.uk

**THE QUALITY OF
 THIS PAGE IS
 THE BEST THAT
 IS AVAILABLE**