
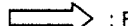
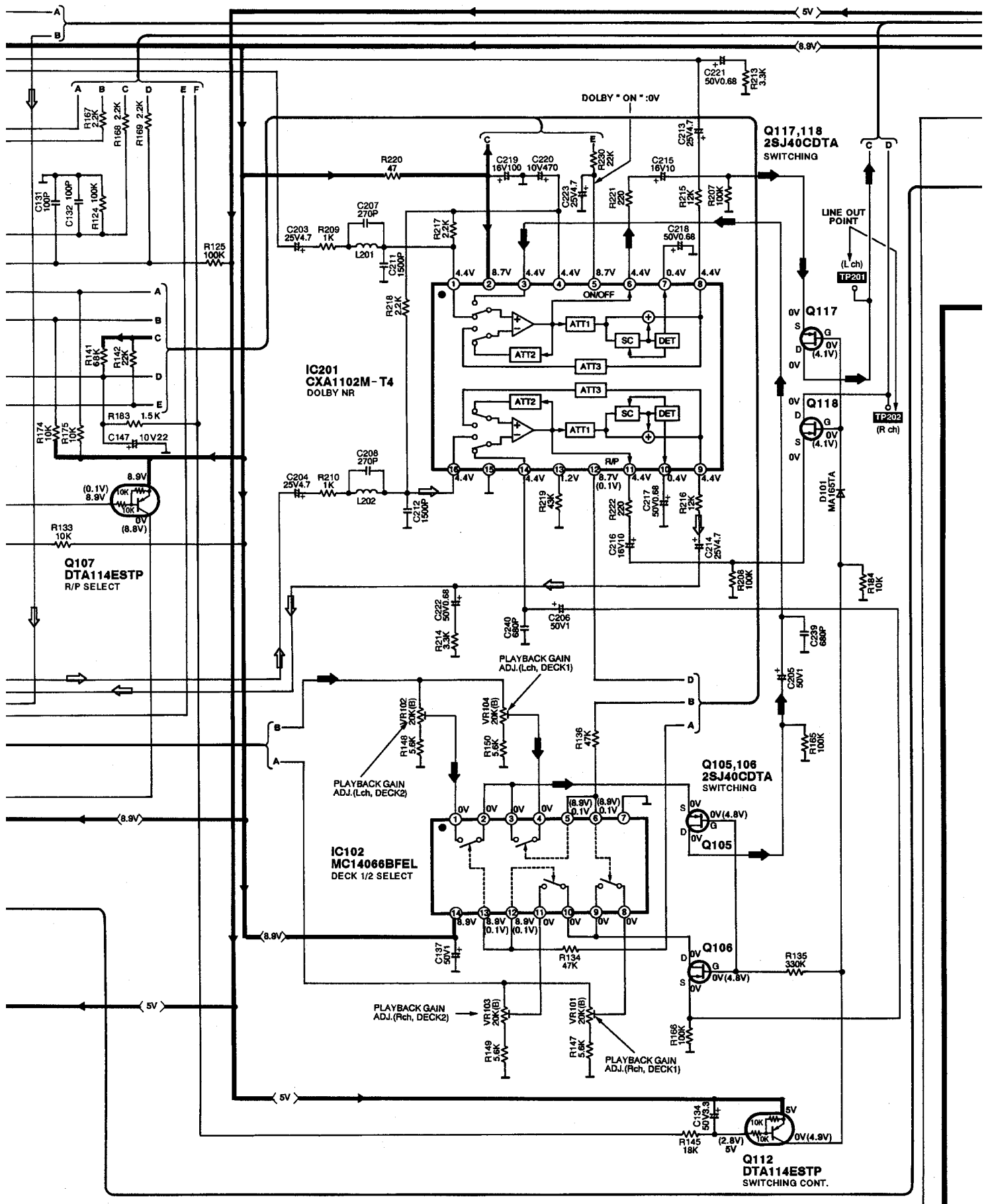
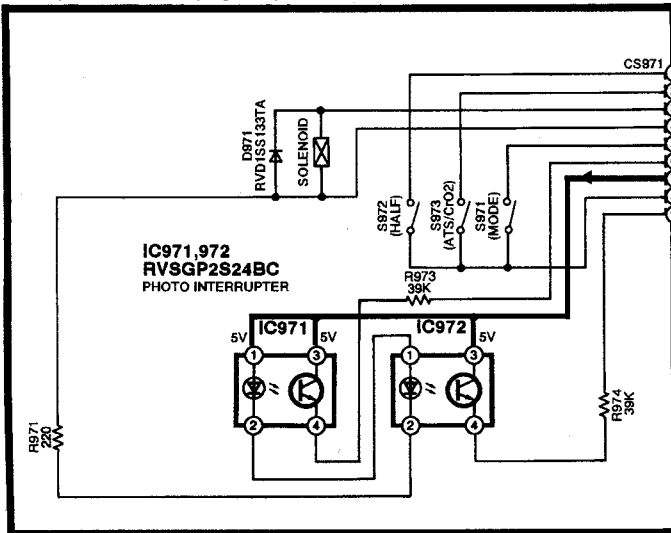
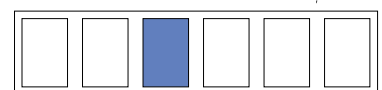
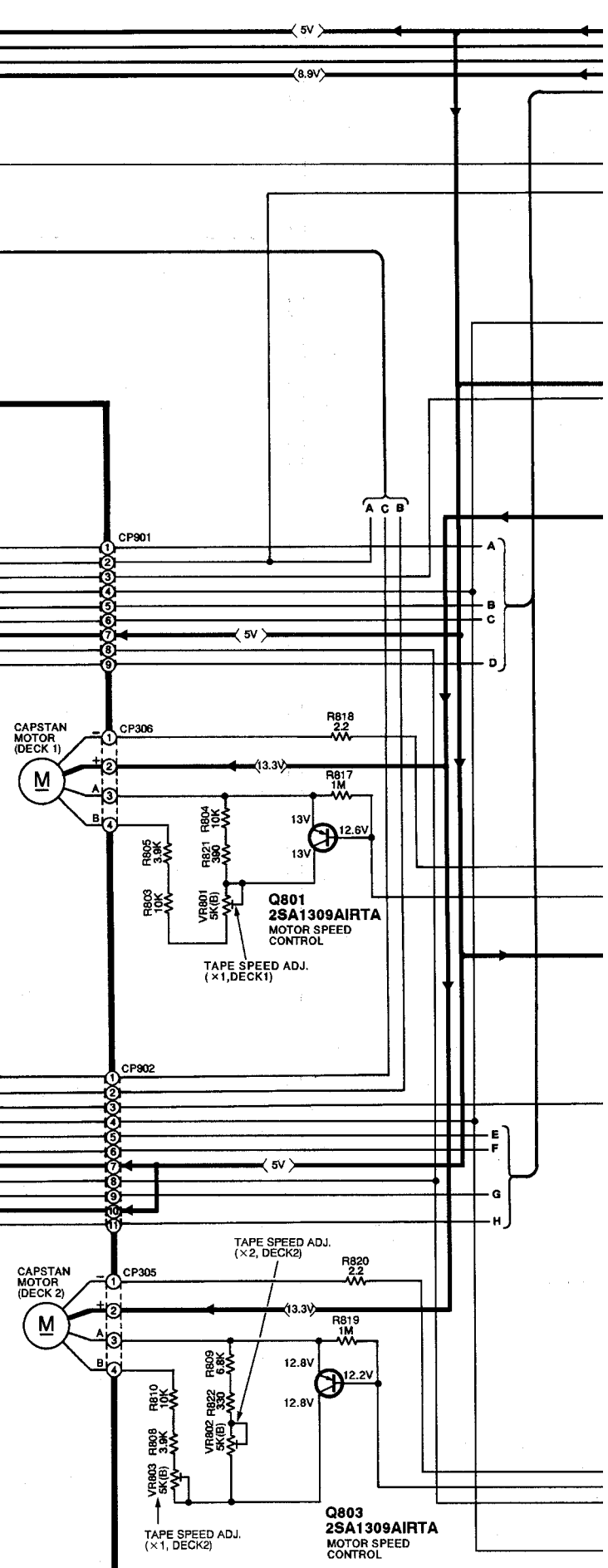
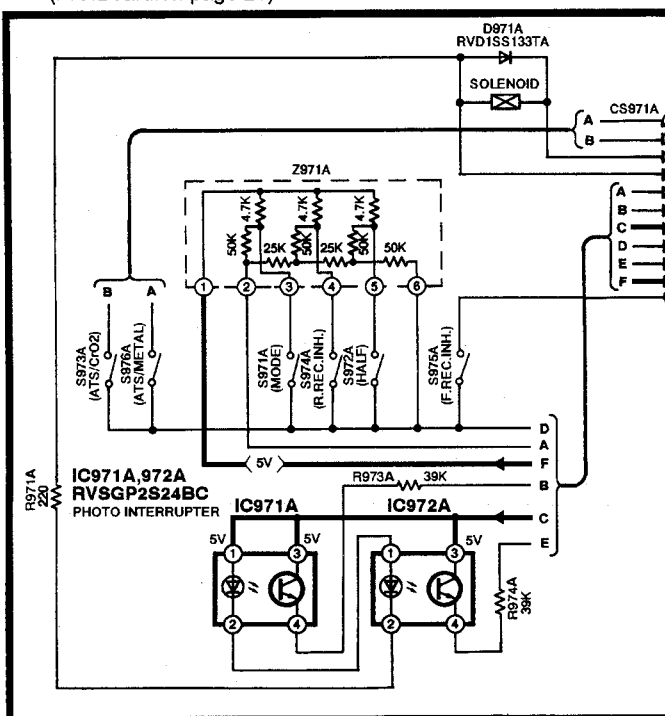
 : Positive voltage line  
  : Playback signal Line  
  : Recording signal Line



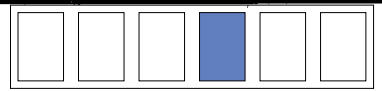
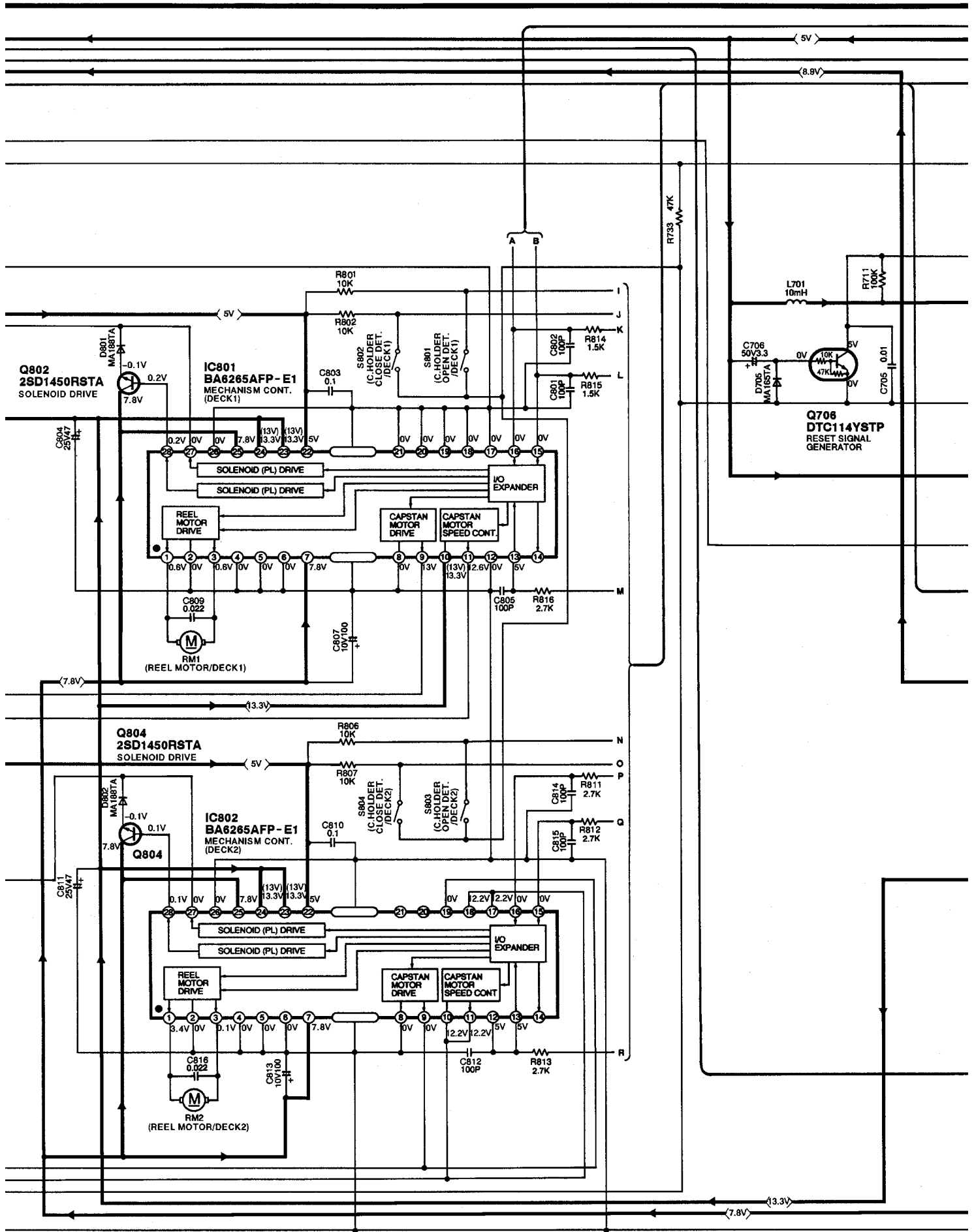
**B** MECHANISM CIRCUIT (DECK1)  
(P.C.Board: on page 21)



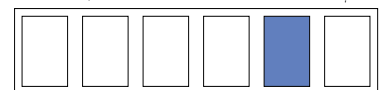
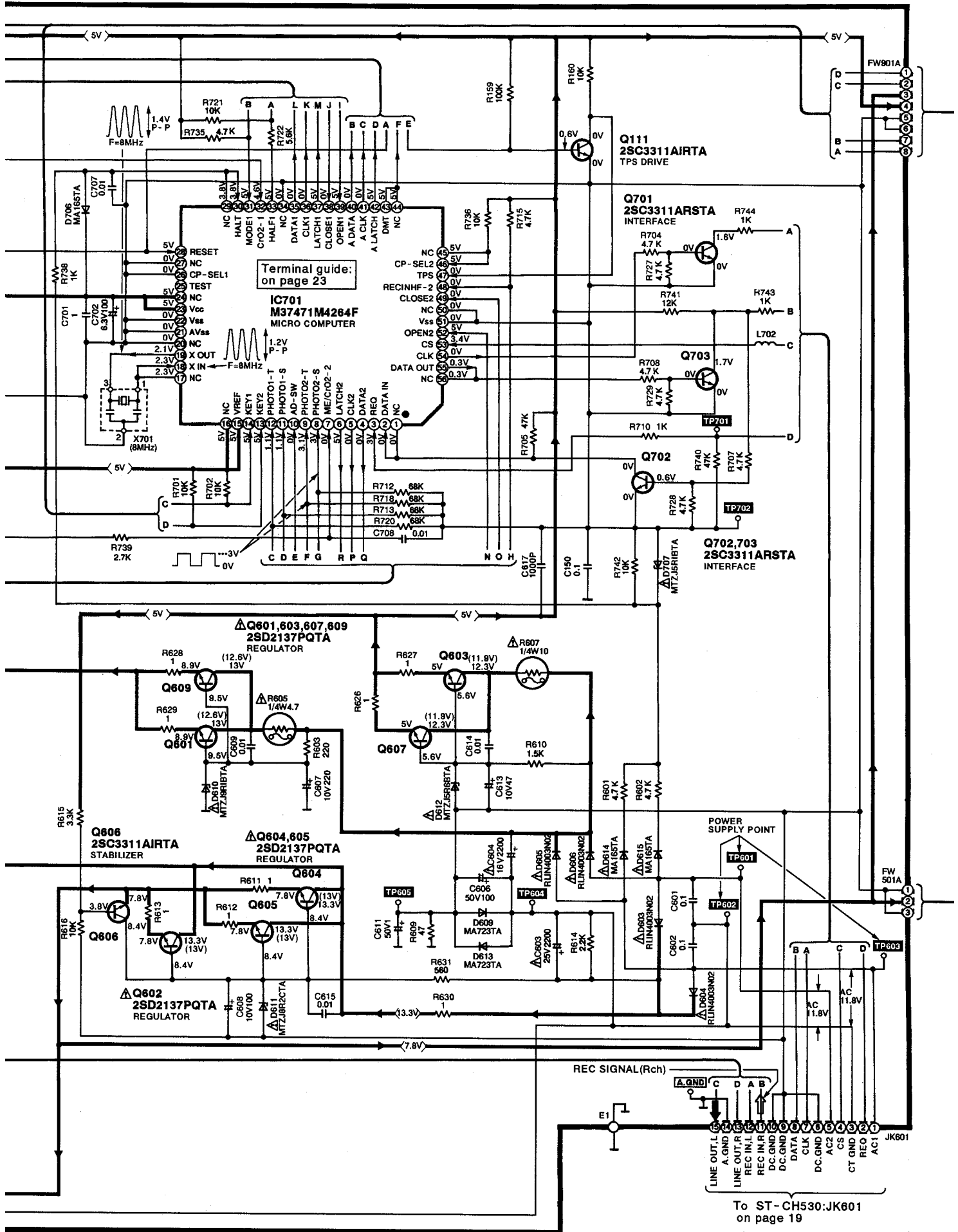
**C** MECHANISM CIRCUIT (DECK2)  
(P.C.Board: on page 21)



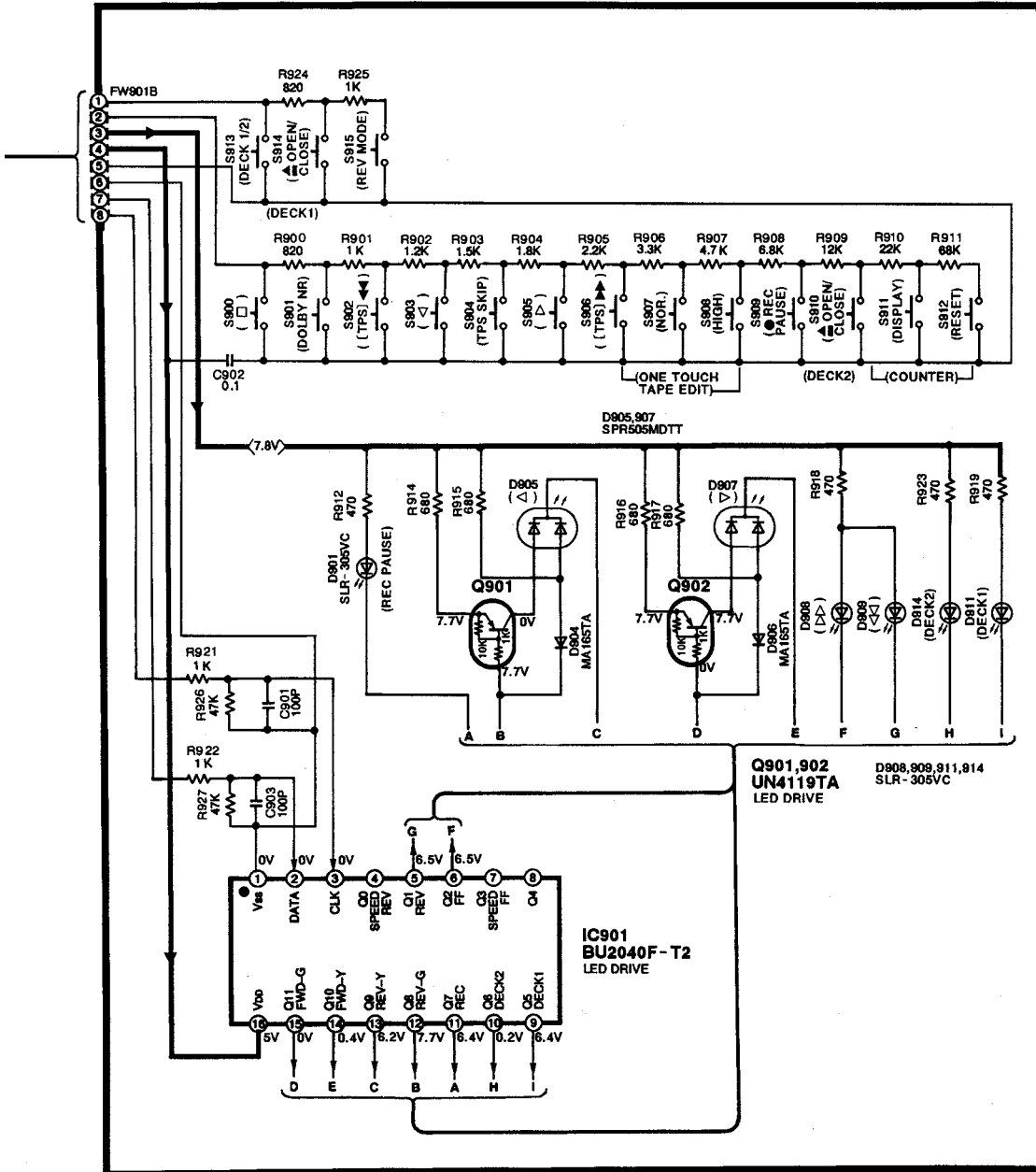
: Positive voltage line    
 : Playback signal Line    
 : Recording signal Line



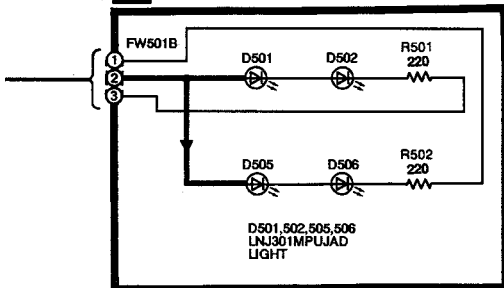
# A MAIN CIRCUIT (P.C.Board: on page 20)



**D OPERATION CIRCUIT (P.C.Board: on page 21)**



**E LED CIRCUIT (P.C.Board: on page 21)**



→ : Positive voltage line

→ : Playback signal Line

⇨ : Recording signal Line

