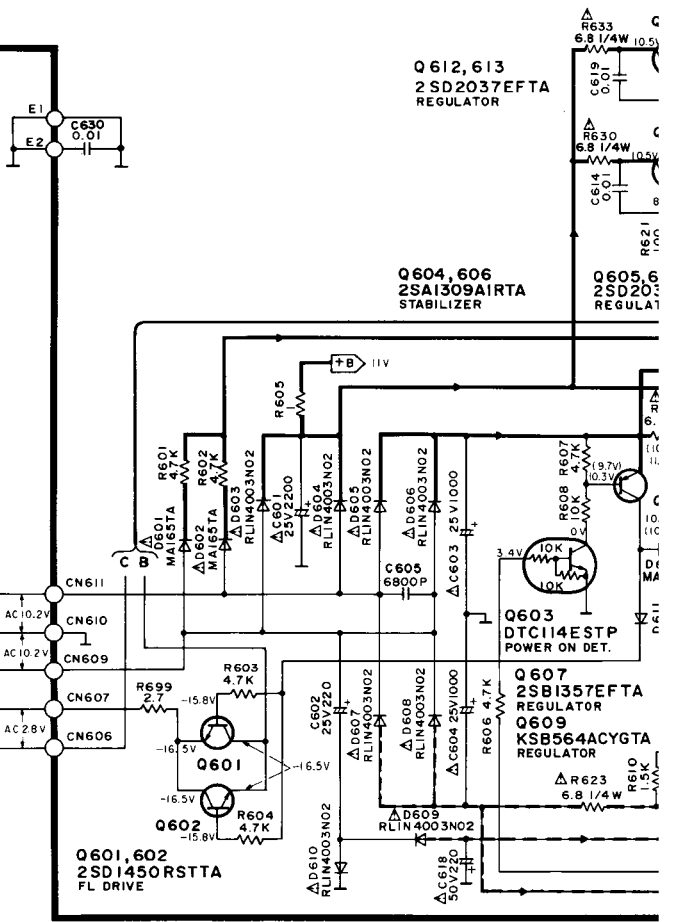
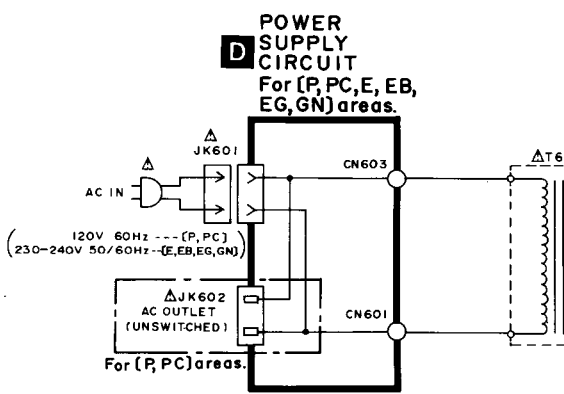
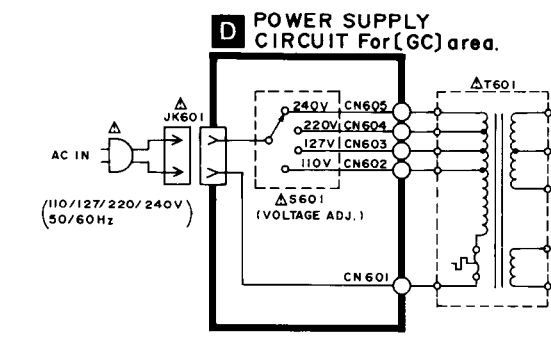
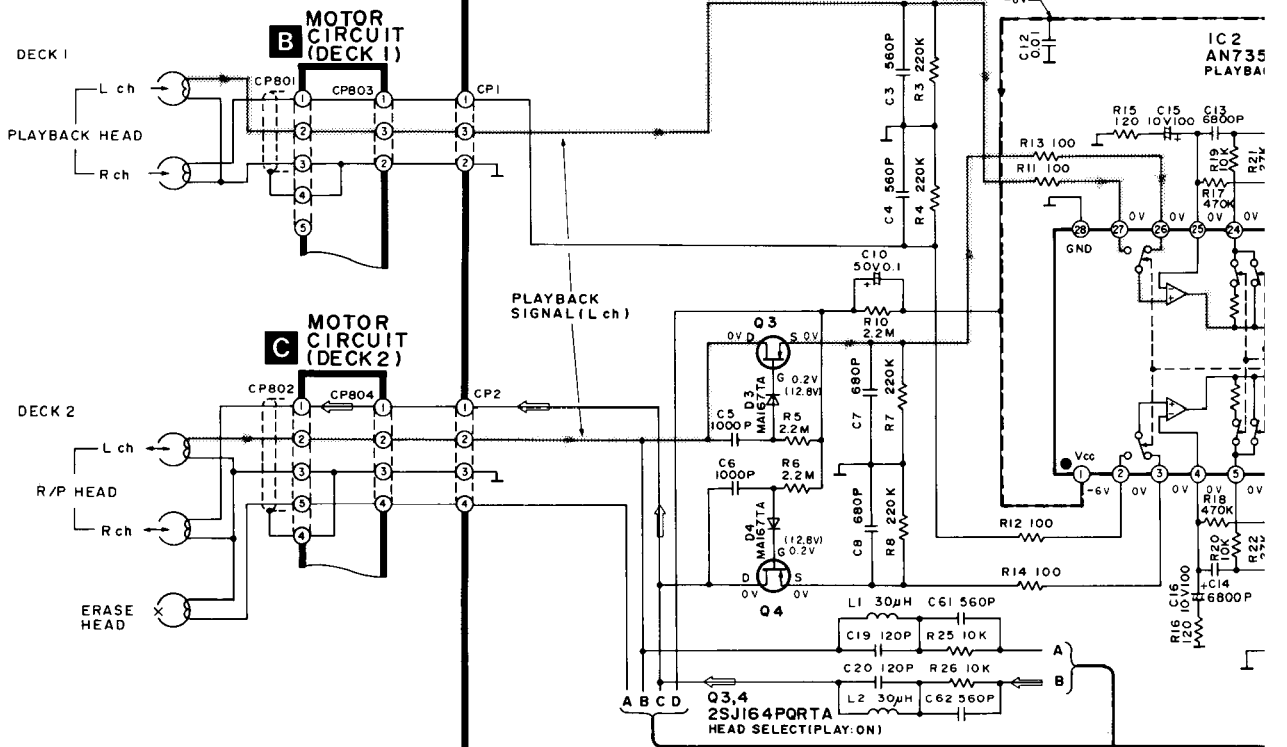


1 2 3 4 5

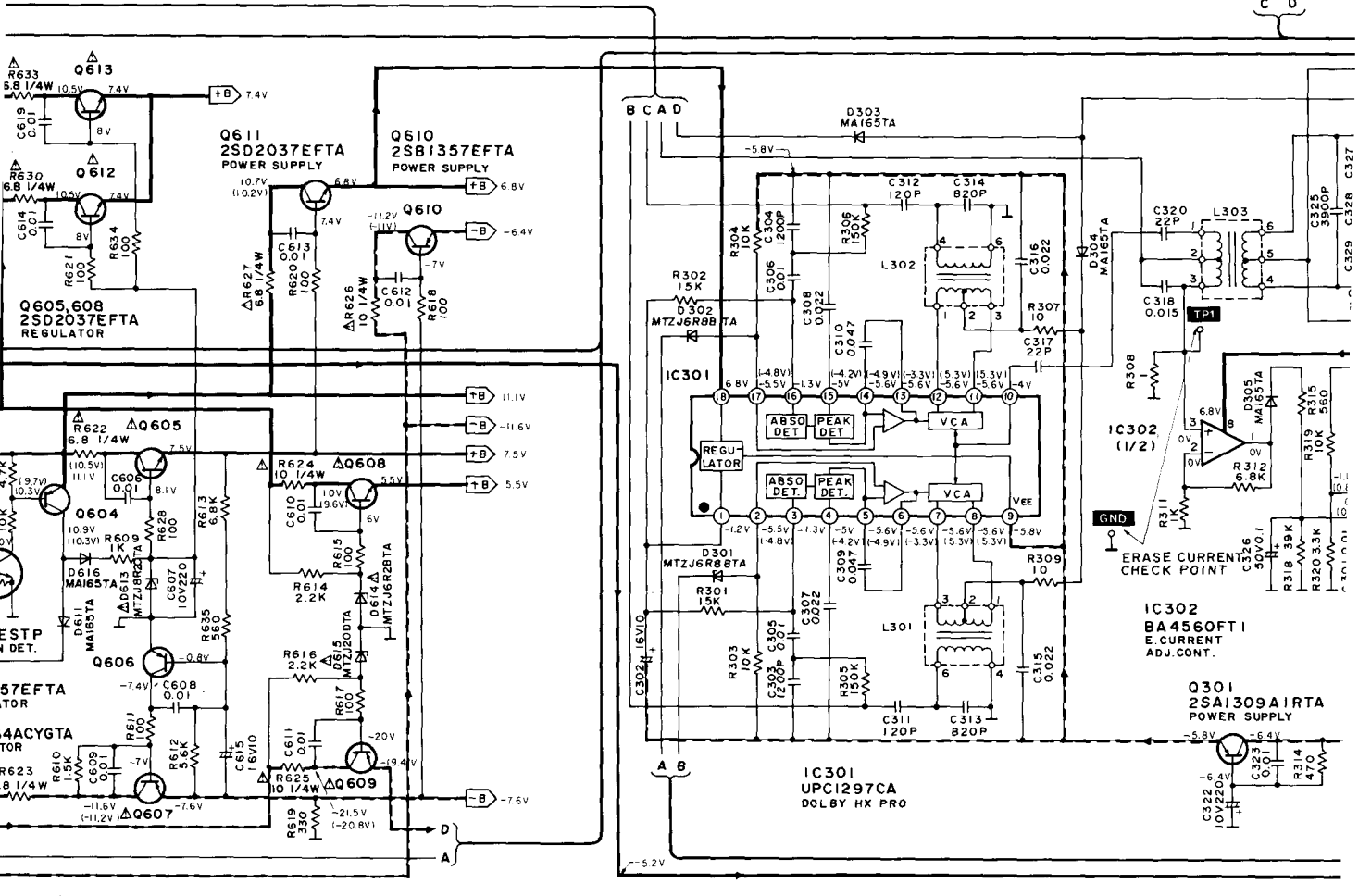
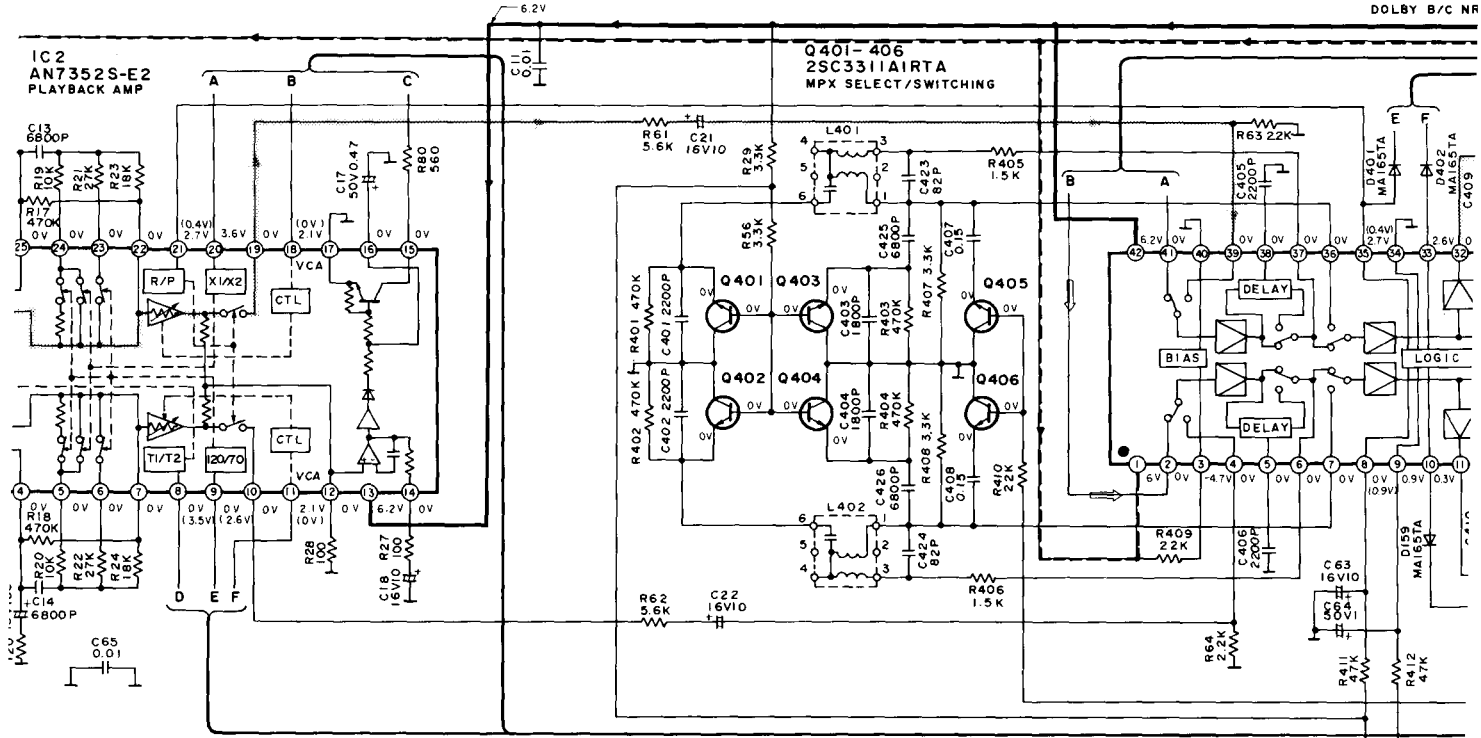
A
B
C
D
E
F

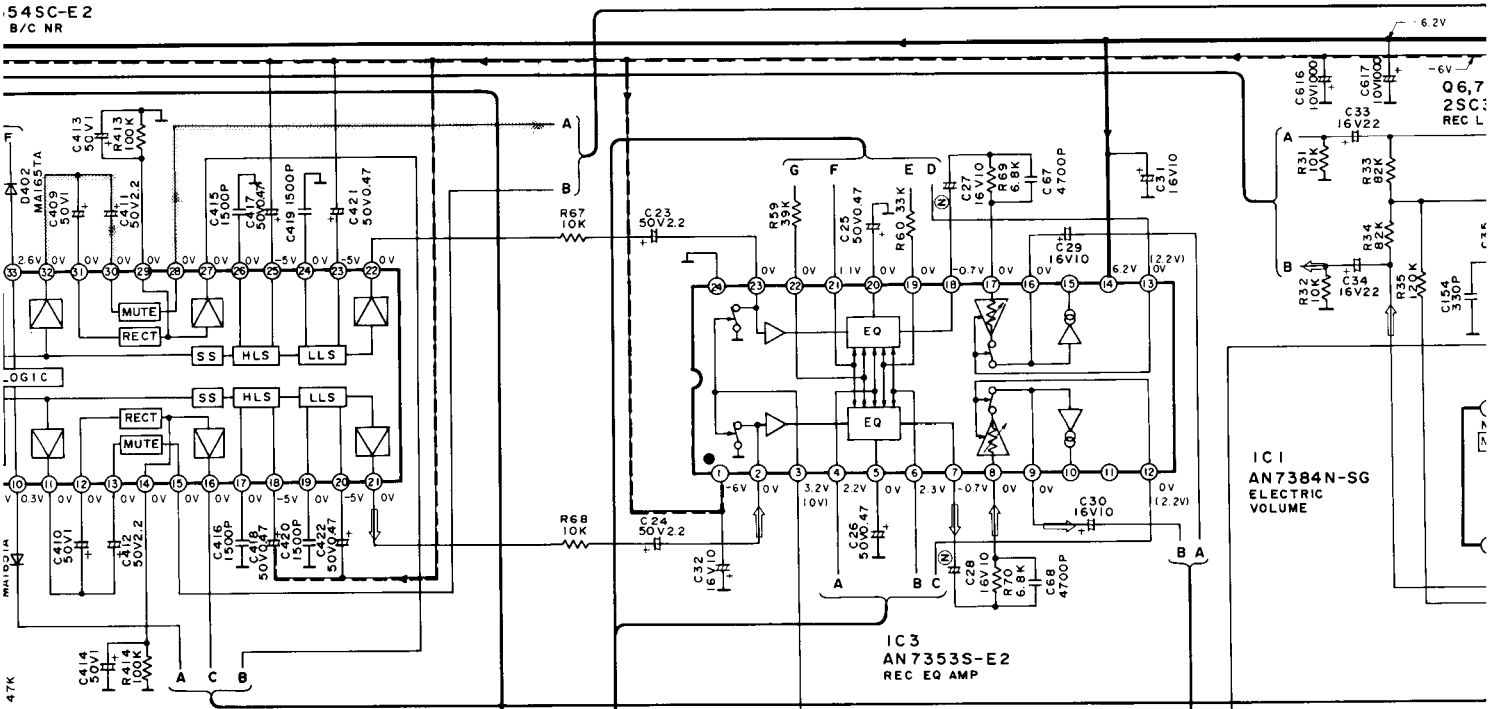
A MAIN CIRCUIT (PLAYBACK EQ AMP/POWER SUPPLY/DOLBY NR



BY NR/HX PRO/BIAS OSC/REC EQ AMP/CONTROL/ELECTRIC VOLUME)

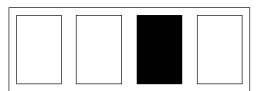
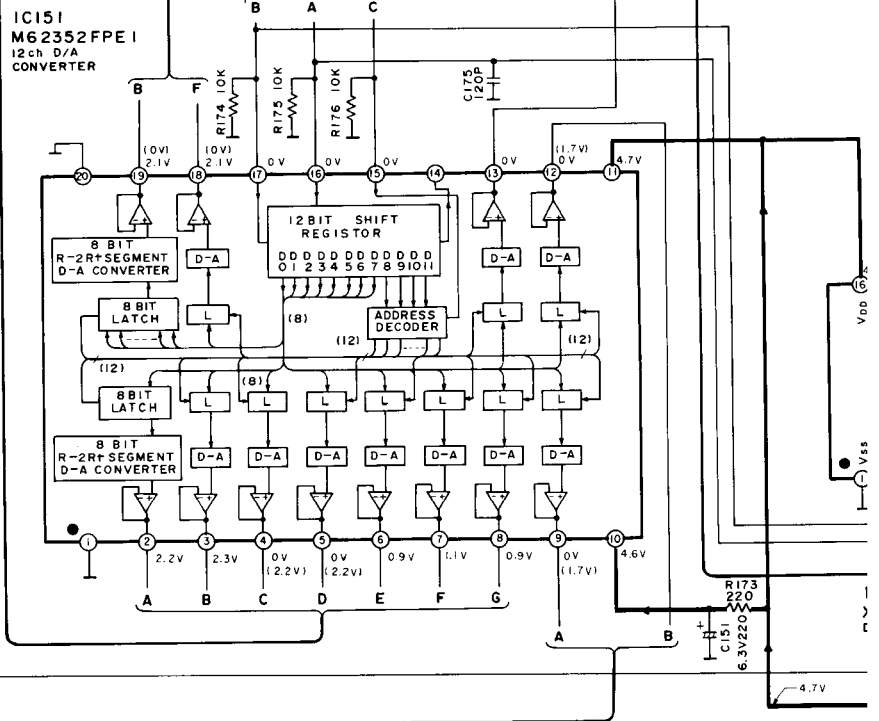
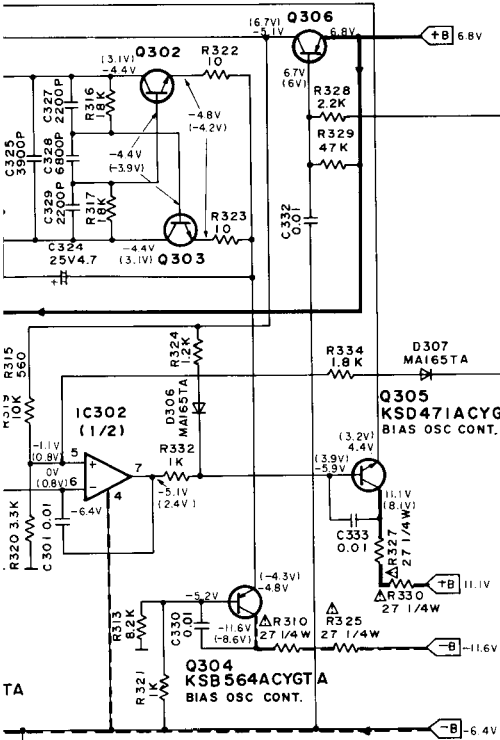
IC401
AN7354SC
DOLBY B/C NR

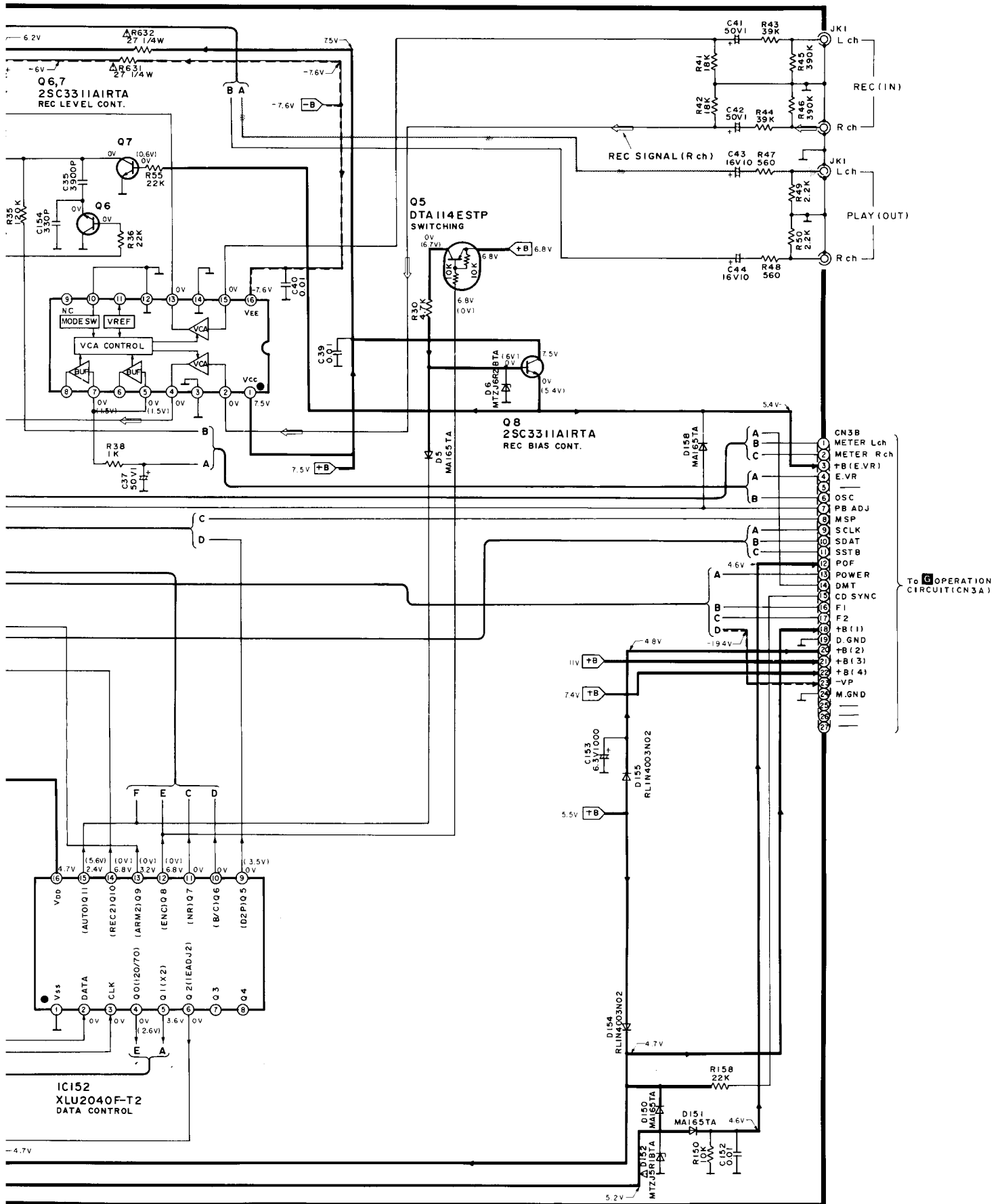




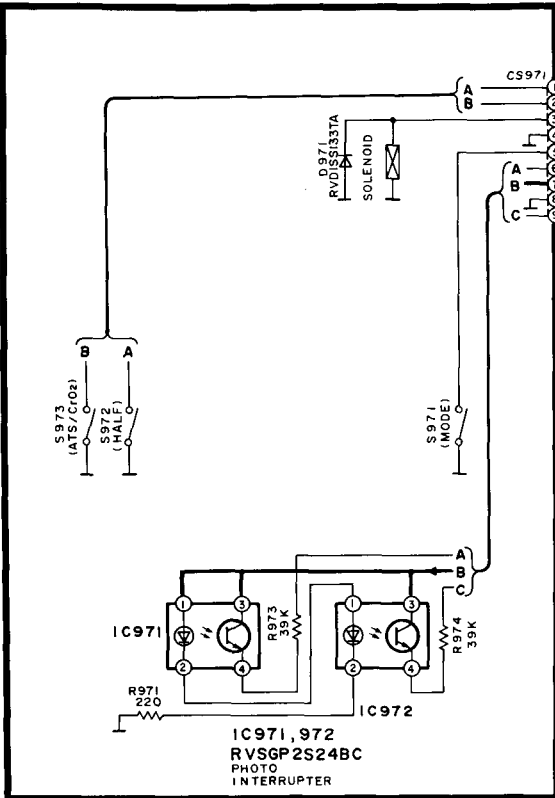
Q302,303
2SC3311AIRTA
BIAS OSC

Q306
2SB1030AQSTA
BIAS OSC CONT.

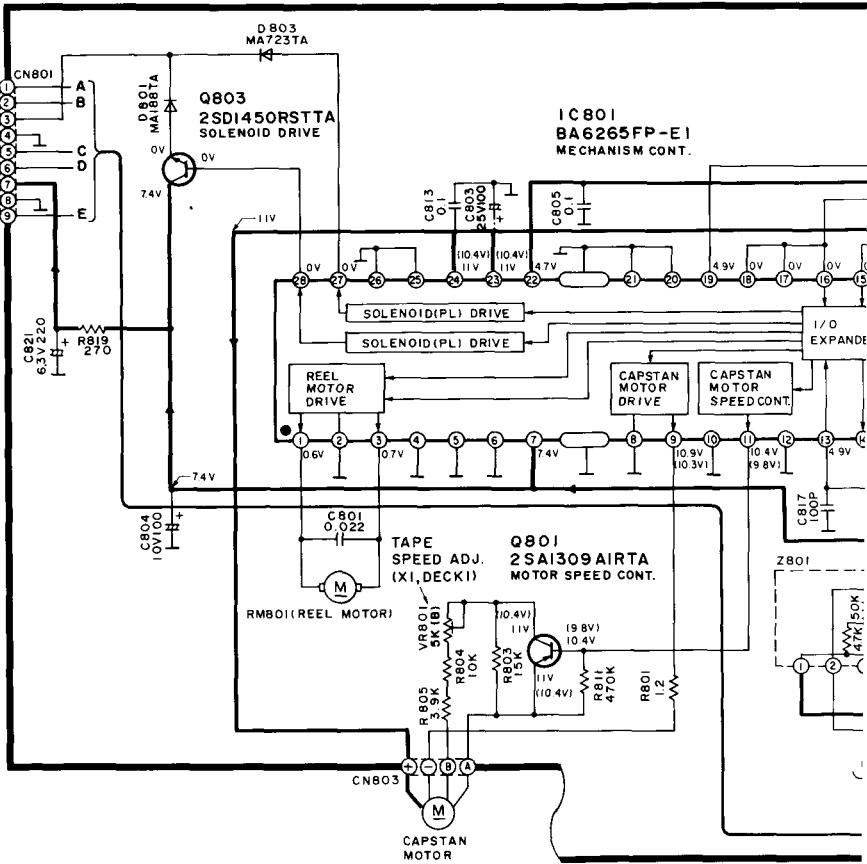




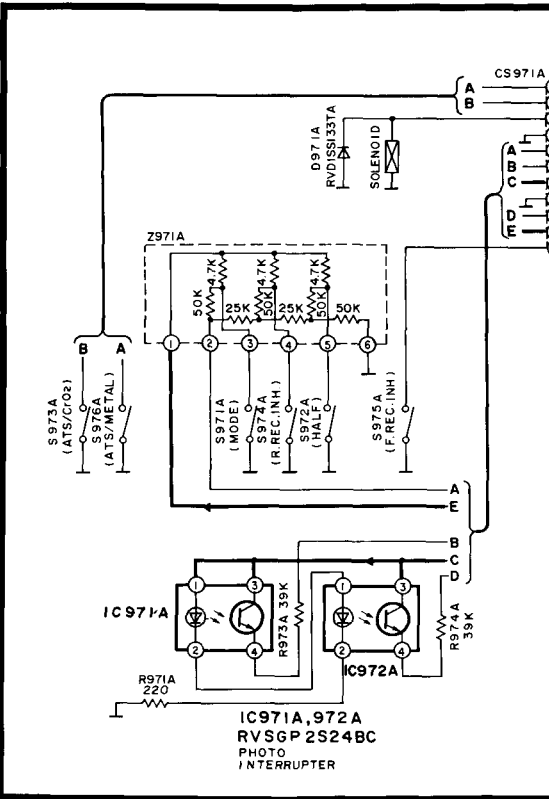
E MECHANISM CIRCUIT (DECK 1)



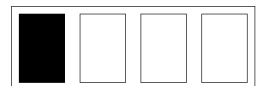
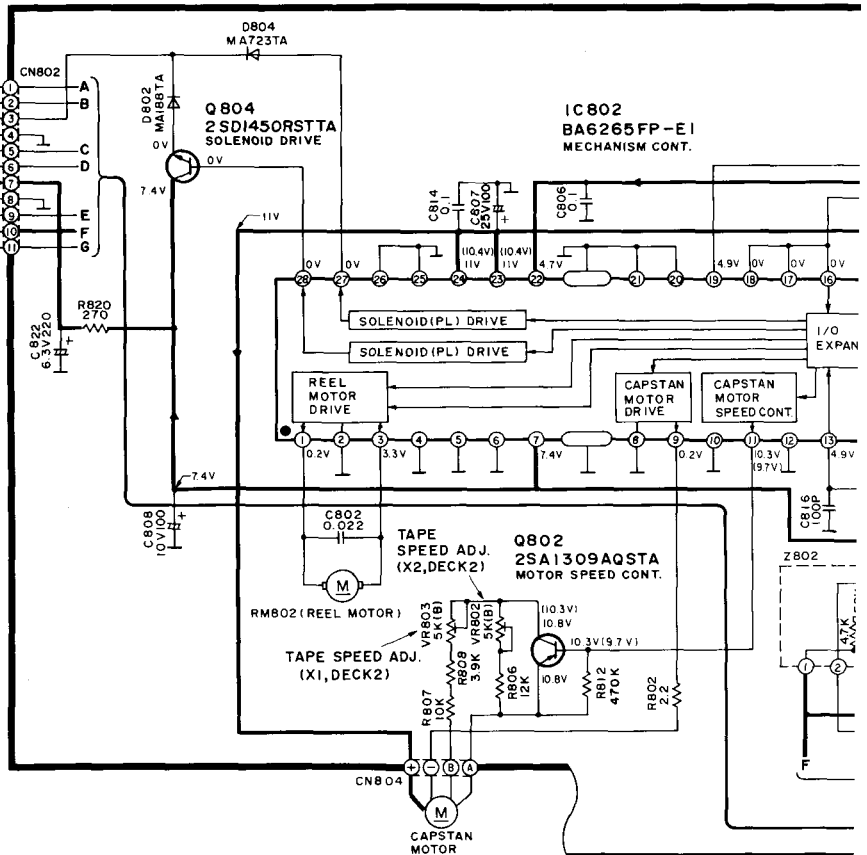
B MOTOR CIRCUIT (DECK 1)



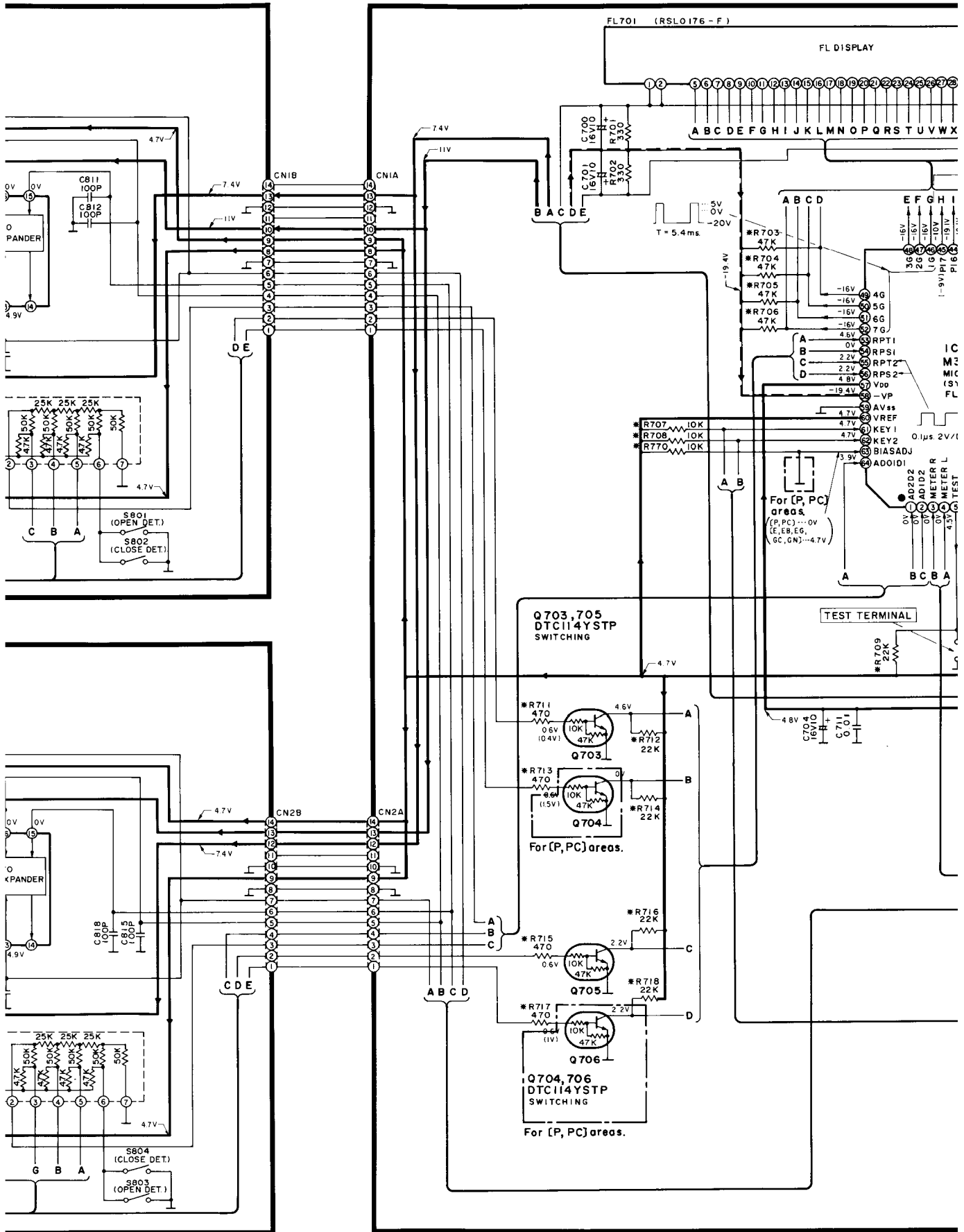
F MECHANISM CIRCUIT (DECK 2)

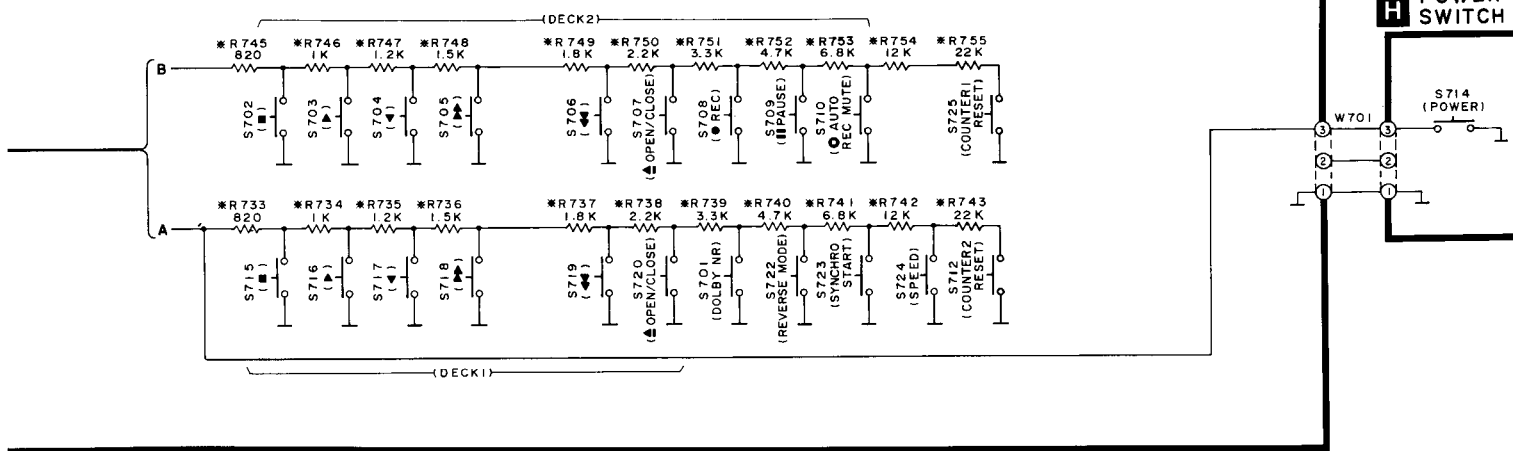
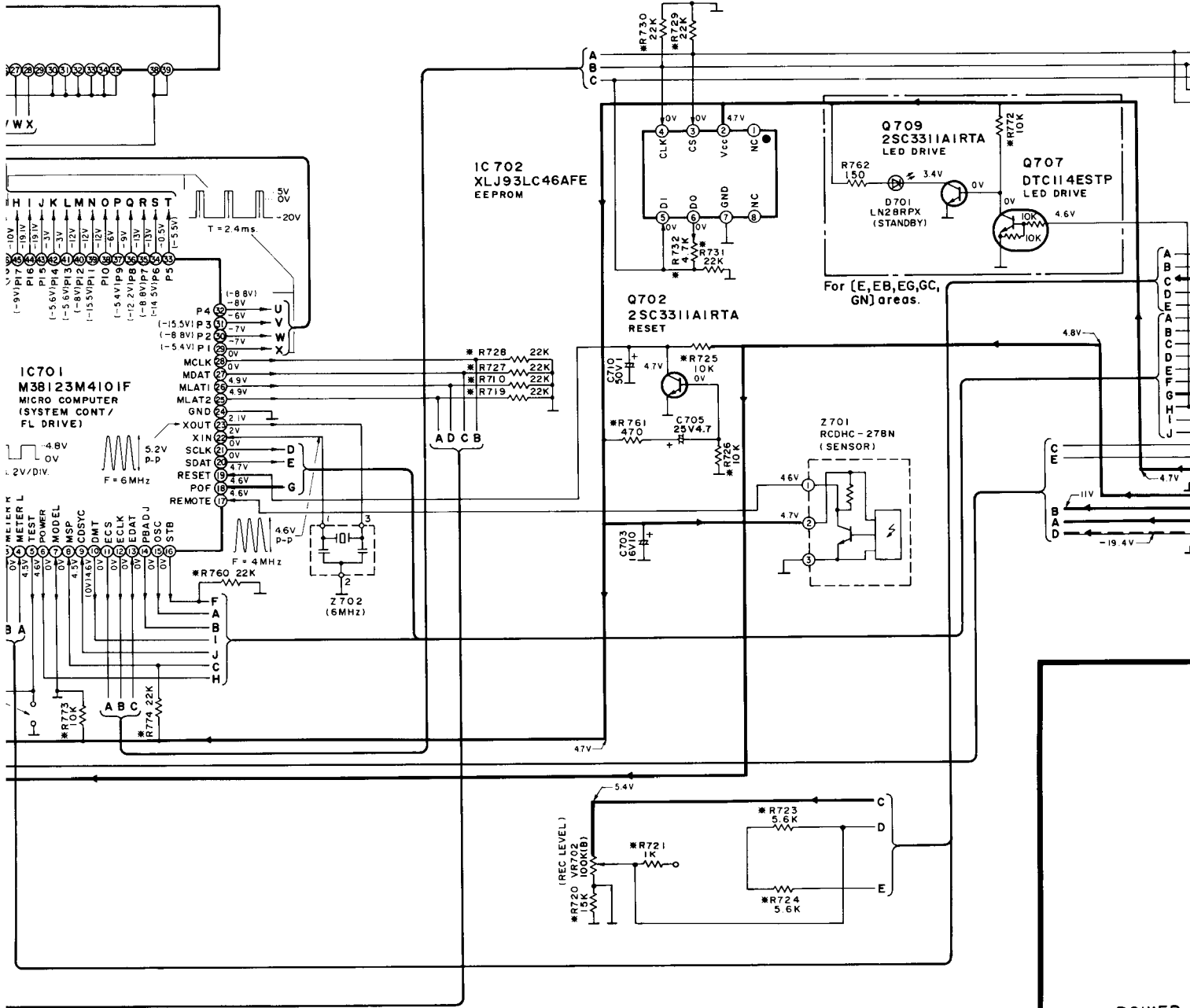


C MOTOR CIRCUIT (DECK 2)



G OPERATION CIRCUIT





SCHEMATIC DIAGRAM (Parts list on pages 57~60.)

(This schematic diagram may be modified at any time with the development of new technology.)

Note 1:

- S601 : Voltage selector in "240V" position. (For [GC] area only.) (110V ↔ 127V ↔ 220V ↔ 240V)
 - S701 : Dolby noise-reduction switch (DOLBY NR; [B], [C]).
 - S702 : DECK 2 Stop switch (■).
 - S703 : DECK 2 Forward-side playback switch (▶).
 - S704 : DECK 2 Reverse-side playback switch (◀).
 - S705 : DECK 2 Fast-forward search switch (▶▶ TPS).
 - S706 : DECK 2 Rewind search switch (◀◀ TPS).
 - S707 : DECK 2 Open/close switch (▲ OPEN/CLOSE).
 - S708 : DECK 2 Record switch (● REC).
 - S709 : DECK 2 Pause switch (■ PAUSE).
 - S710 : DECK 2 Automatic-record-muting switch (● AUTO REC MUTE).
 - S712 : DECK 2 Counter reset switch (COUNTER 2 RESET).
 - S714 : Power "STANDBY ♂ /ON" switch (POWER, STANDBY ♂ /ON).
 - S715 : DECK 1 Stop switch (■).
 - S716 : DECK 1 Forward-side playback switch (▶).
 - S717 : DECK 1 Reverse-side playback switch (◀).
 - S718 : DECK 1 Fast-forward search switch (▶▶ TPS).
 - S719 : DECK 1 Rewind search switch (◀◀ TPS).
 - S720 : DECK 1 Open/close switch (▲ OPEN/CLOSE).
 - S721 : Auto tape calibration switch (ATC).
 - S722 : Reverse-mode select switch (REVERSE MODE).
 - S723 : Synchro-start switch (SYNCHRO START).
 - S724 : Tape-to-tape recording-speed switch (SPEED; X1, X2).
 - S725 : DECK 1 Counter reset switch (COUNTER 1 RESET)
 - S801 : DECK 1 Cassette holder open detection switch in "off" position.
 - S802 : DECK 1 Cassette holder close detection switch in "off" position.
 - S803 : DECK 2 Cassette holder open detection switch in "off" position.
 - S804 : DECK 2 Cassette holder close detection switch in "off" position.
 - S971 : DECK 1 Mode switch in "off" position.
 - S971A : DECK 2 Mode switch in "off" position.
 - S972 : DECK 1 Half switch in "off" position.
 - S972A : DECK 2 Half switch in "off" position.
 - S973 : DECK 1 ATS (CrO₂) switch in "off" position.
 - S973A : DECK 2 ATS (CrO₂) switch in "off" position.
 - S974A : DECK 2 Reverse rec. inhibit switch in "off" position.
 - S975A : DECK 2 Forward rec. inhibit switch in "off" position.
 - S976A : DECK 2 ATS (Metal) switch in "off" position.
- Resistance are in ohms (Ω), 1/4 watt unless specified otherwise.
 1K=1,000 (Ω), 1M=1,000k (Ω)
- Capacity are in micro-farads (μF) unless specified otherwise.
- All voltage values shown in circuitry are under no signal condition and playback mode with volume control at minimum position otherwise specified.
 ()..... Voltage values at record mode.

For measurement us EVM.

Important safety notice

Components identified by ▲ mark have special characteristics important for safety. When replacing any of these components, use only manufacturer's specified parts.

- (————< +B > ————) indicates +B (bias).
- (- - - - -< -B > - - - - -) indicates -B (bias).
- (◀ ◀ ◀ ◀) indicates the flow of the playback signal.
- (▶ ▶ ▶ ▶) indicates the flow of the record signal.
- The supply part number is described alone in the replacement parts list,

Ref. No.	Production Part No.	Supply Part No.
IC152	XLU2040F-T2	XLU2040F-T1
IC302	BA4560FT1	SVIBA4560FT1

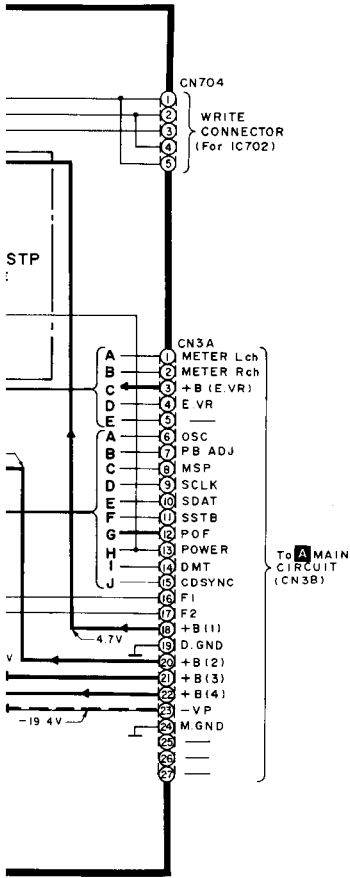
※ marks indicate printed resistor.

Caution!

IC and LSI are sensitive to static electricity.

Secondary trouble can be prevented by taking care during repair.

- Cover the parts boxes made of plastics with aluminum foil.
- Ground the soldering iron.
- Put a conductive mat on the work table.
- Do not touch the legs of IC or LSI with the fingers directly.



POWER SWITCH CIRCUIT

