

Technics

TURNTABLE BASE/DUST COVER

SH-10B7

OPERATING INSTRUCTIONS

Turntable
SP-10MK3 (option)



English	2~ 5
Español	6~ 9
Français	10~13
Deutsch	14~17

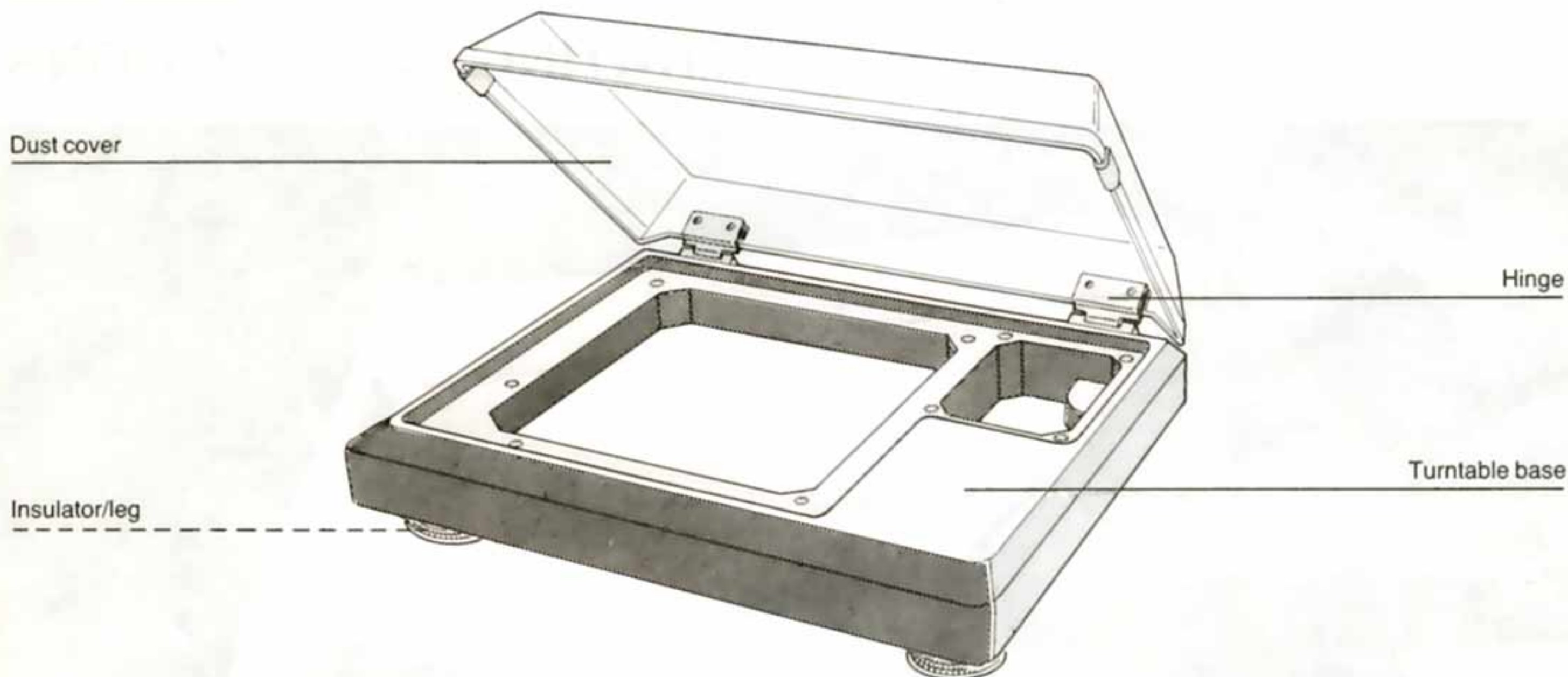
Before using this unit, please read these instructions completely.

Thank you for buying the SH-10B7 Technics turntable base.

For optimum performance from this unit and for

continuing enjoyment, please carefully read the operating instructions of the unit together with those of the SP-10MK3 or SP-10MK2(A) direct-drive turntable.

Parts identification



Check list of parts

Main body (turntable base)	1
Dust cover	1
Arm panels (Fig. 1)	2
(One of these has holes for mounting the optional Technics EPA-100MK2 tonearm)	
Hexagonal wrench	1
Arm panel installation screws	4
SP-10MK3 installation screws (M5×35)	5
Installation screw washers	5
Cleaning cloth	1

Note:

The support frame for the base (foamed plastic material used for packing) should be saved for use when installing the SP-10MK3 or SP-10MK2(A) turntable. (Refer to Fig. 2.)

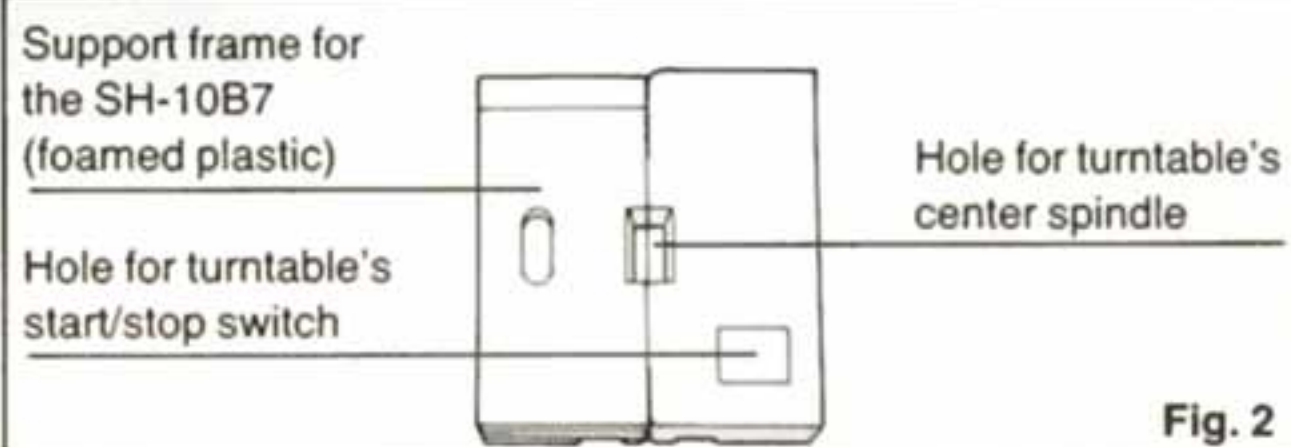


Optional Technics EPA-100MK2 tonearm

Fig. 1

Installation of the turntable

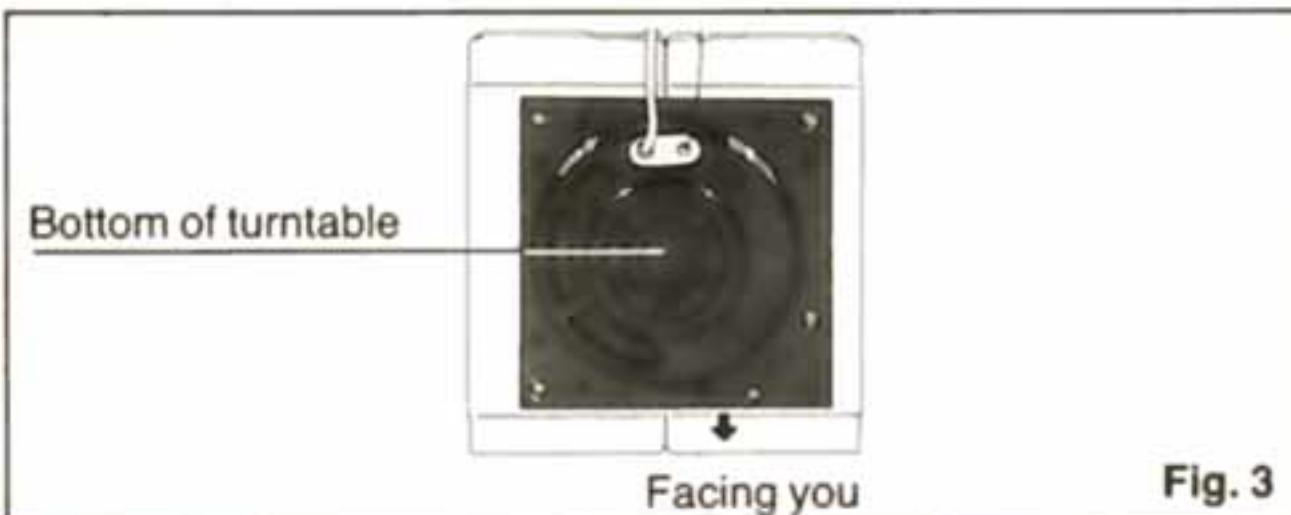
① Place the support frame as shown in the figure (Fig. 2).



② Turn the turntable upside-down and place it on the support frame for the base (Fig. 3).

Note:

Be sure to remove the turntable's platter before turning the turntable upside-down.



The turntable [SP-10MK3 or SP-10MK2(A)] and this unit (SH-10B7) each weigh more than 10 kg, so special care should be taken not to let them drop.

③ Install the turntable, with its bottom facing upward, as shown (Fig. 4).

Arrange the cords on the bottom, as shown.

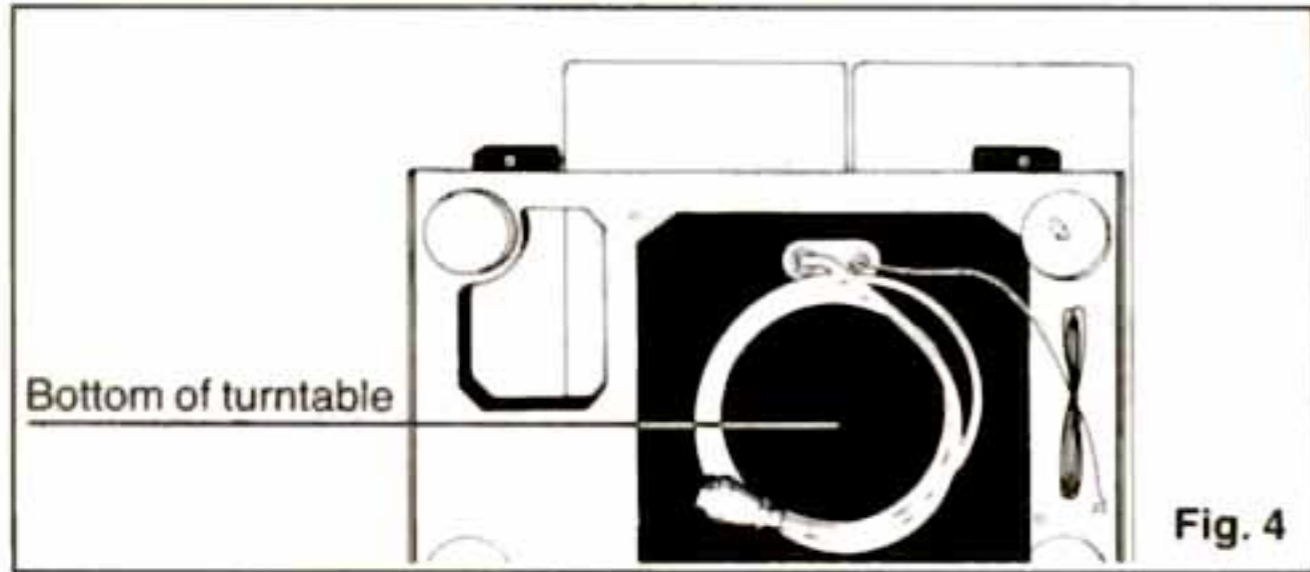


Fig. 4

④ Remove the upper right insulator/leg (Fig. 5).

(There is a hole for the turntable installation screw behind this insulator/leg.)

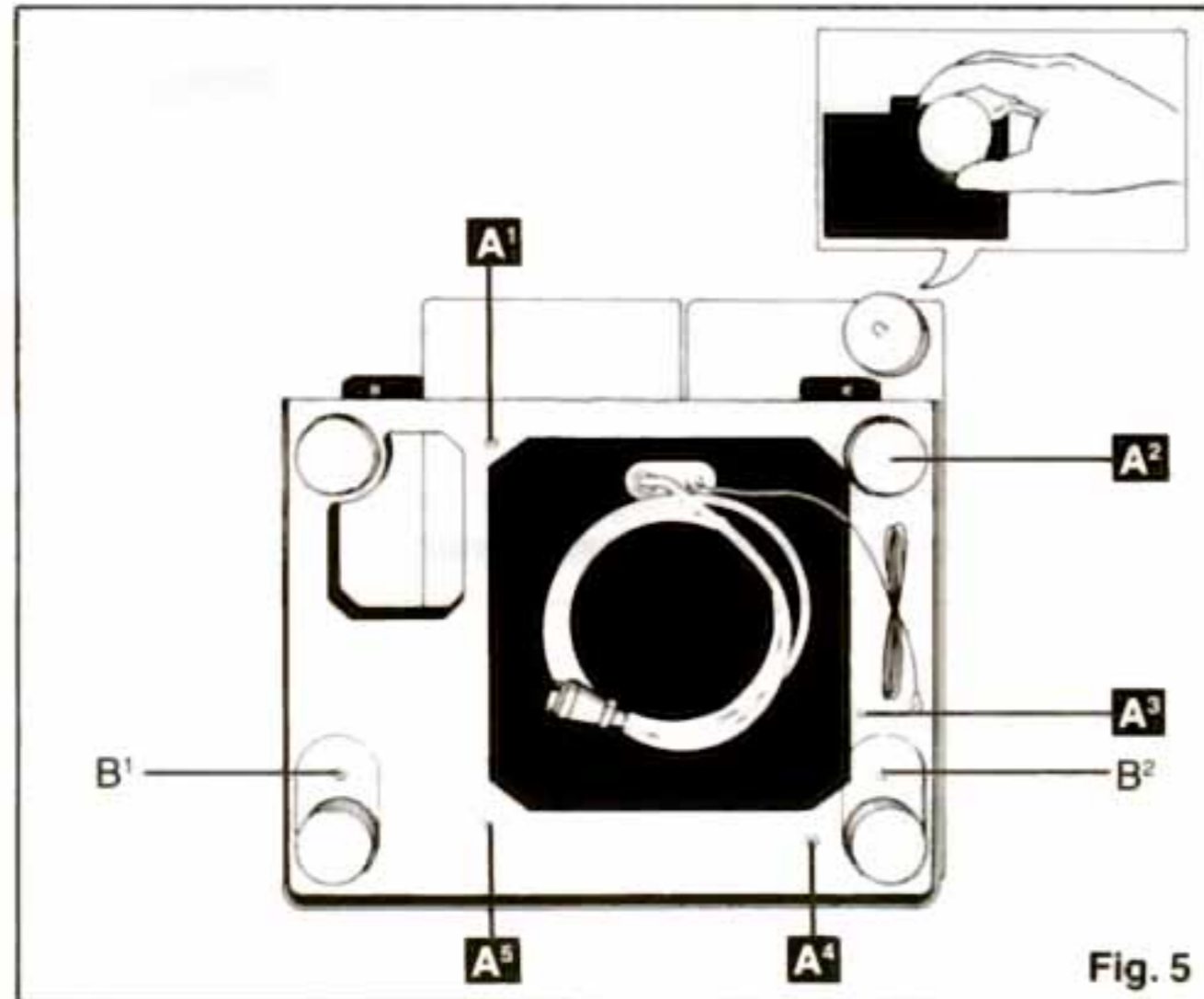


Fig. 5

⑤ Fit washers onto this unit's installation screws (M5×35) and screw in securely at the five points A'~A⁵. (Refer to Fig. 5.)

Then attach the insulator/leg (previously removed).

This completes the steps for installation of the turntable.

Note:

The insulator/legs can also be used to adjust the height of the turntable base. After placing the assembled unit in the location where it will be used, adjust so that it is level (Fig. 6).

Two of the insulator/legs can be attached at the points B' and B² if necessary to match the size (front to rear) of the installation location. (Refer to Fig. 5.)

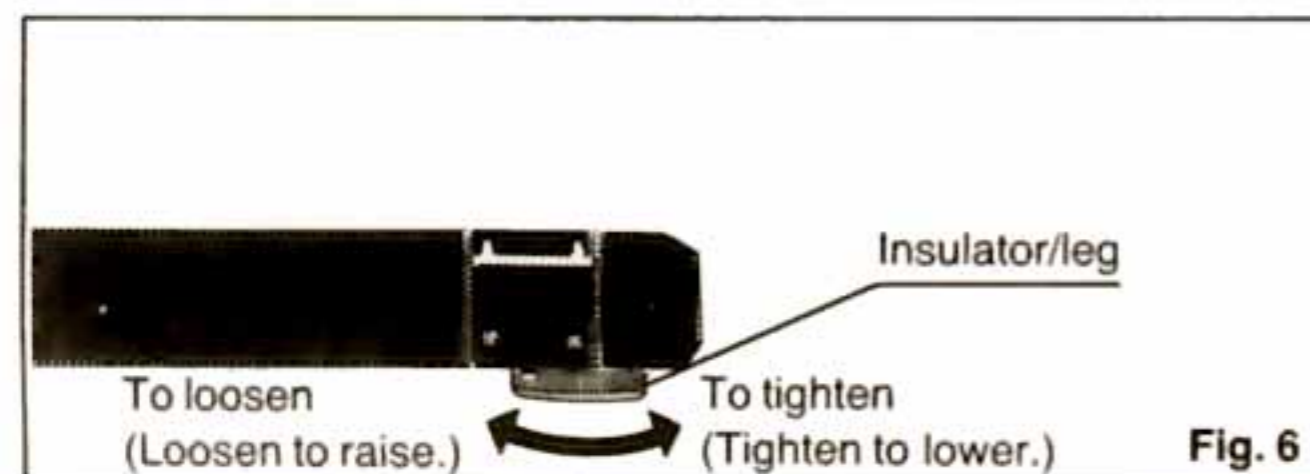


Fig. 6

Notes:

- For information concerning the assembly and operation of the turntable itself [SP-10MK3 or SP-10MK2(A)], refer to its operation instructions.
- Attach the dust cover after installing the tonearm and the complete adjustment of the various parts.

Tonearms suitable for use with this unit

Tonearms installable to this unit are limited by dimensions and configuration. Please refer to the dimensions shown in Fig. 7 as a guideline.

Notes:

- A tonearm with its rear part longer than that shown in the figure cannot be used due to interference with the dust cover.
- A tonearm whose arm rest is a separate component also cannot be used. (This is because of the difficulty in drilling a hole for the arm rest in the turntable base.)
- The maximum height of tonearms which can be used is 88 mm from the arm mounting screws. (This is the maximum height possible without the highest part of the tonearm touching the underside of the dust cover when the dust cover is closed.)

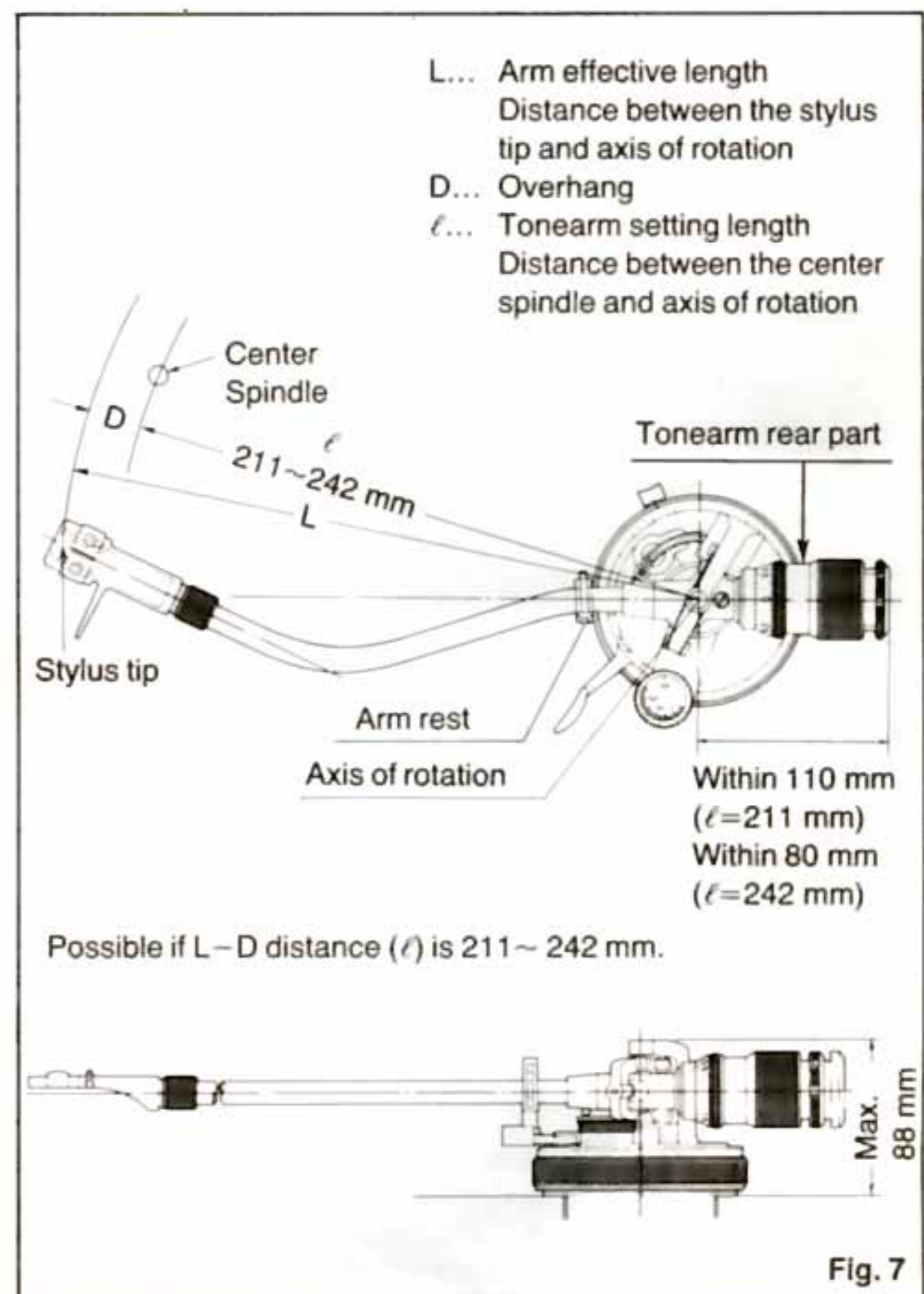
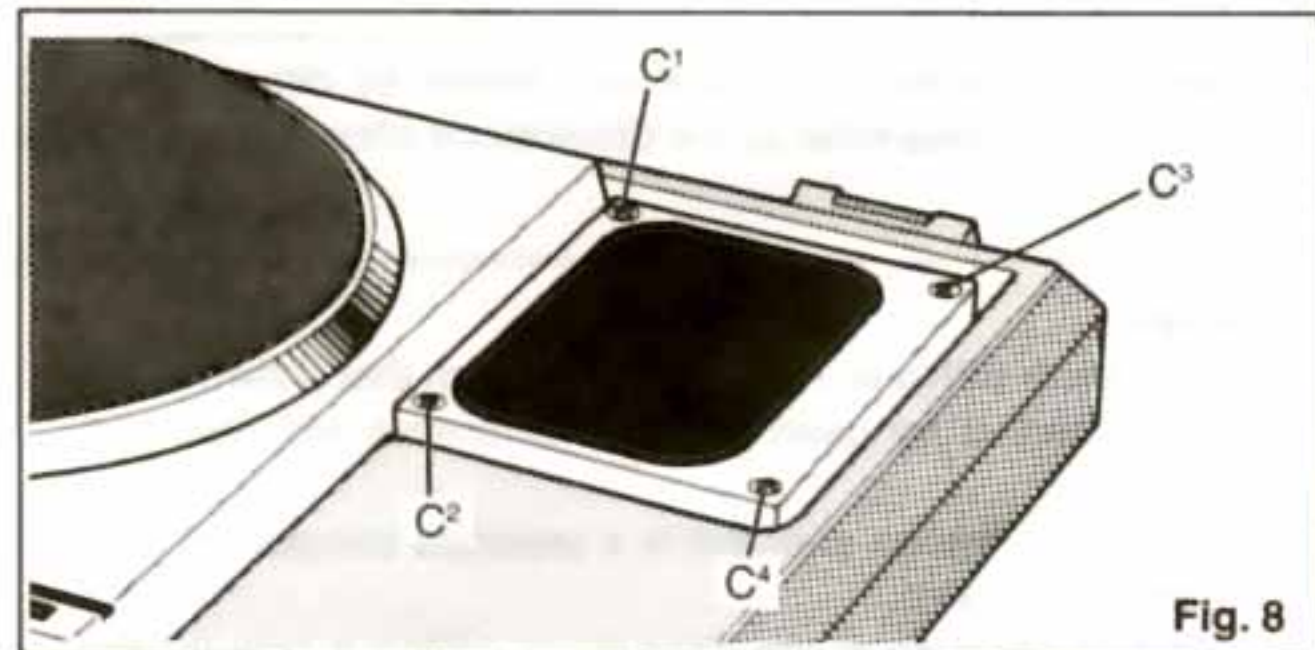


Fig. 7

Installation of the tonearm

Refer to the instructions below for installation of the Technics EPA-100MK2 tonearm (sold separately). If mounting a different tonearm, follow that tonearm's instructions.

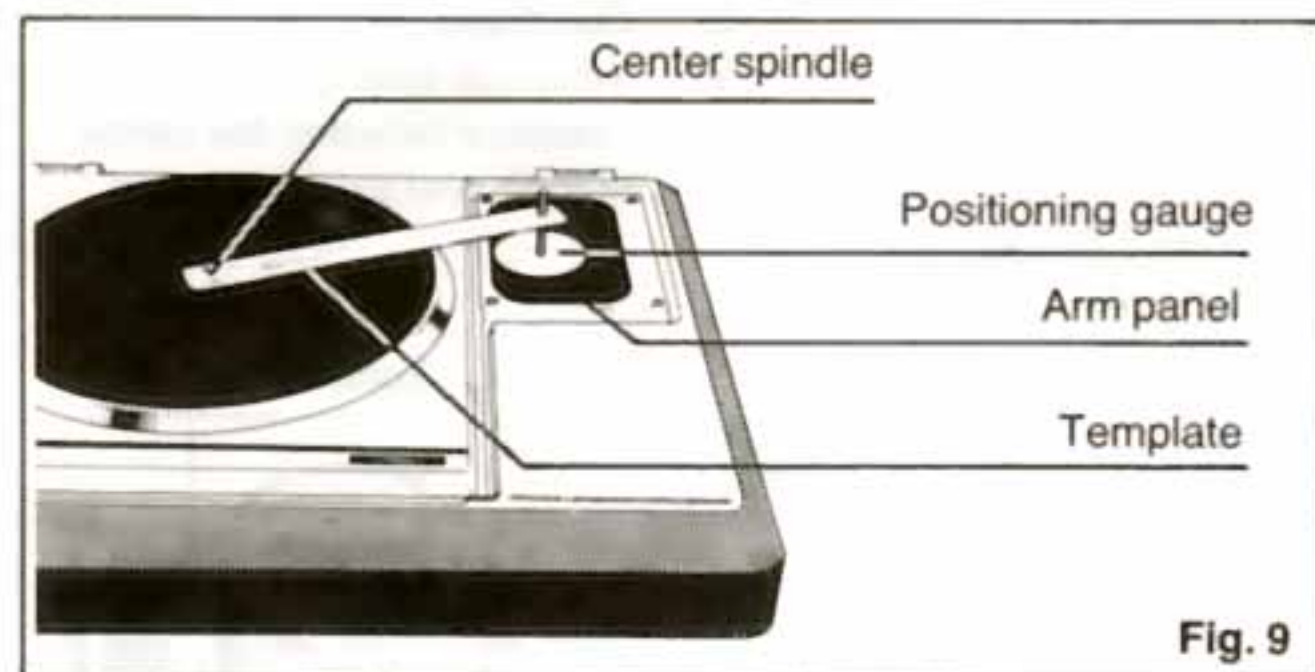
- 1 Align the screw holes (C¹~C⁴) in the arm panel and base; then tighten the screws provisionally (Fig. 8).



- 2 Determine the tonearm mounting position. Use the template and positioning gauge included with the tonearm to determine the position at which the rear part of the balance weight does not contact the dust cover while the disc is playing, and mark that position by using a pencil (Fig. 9).

Note:

After making the above position setting, check to be sure that the rear part of the tonearm does not contact the dust cover during play.

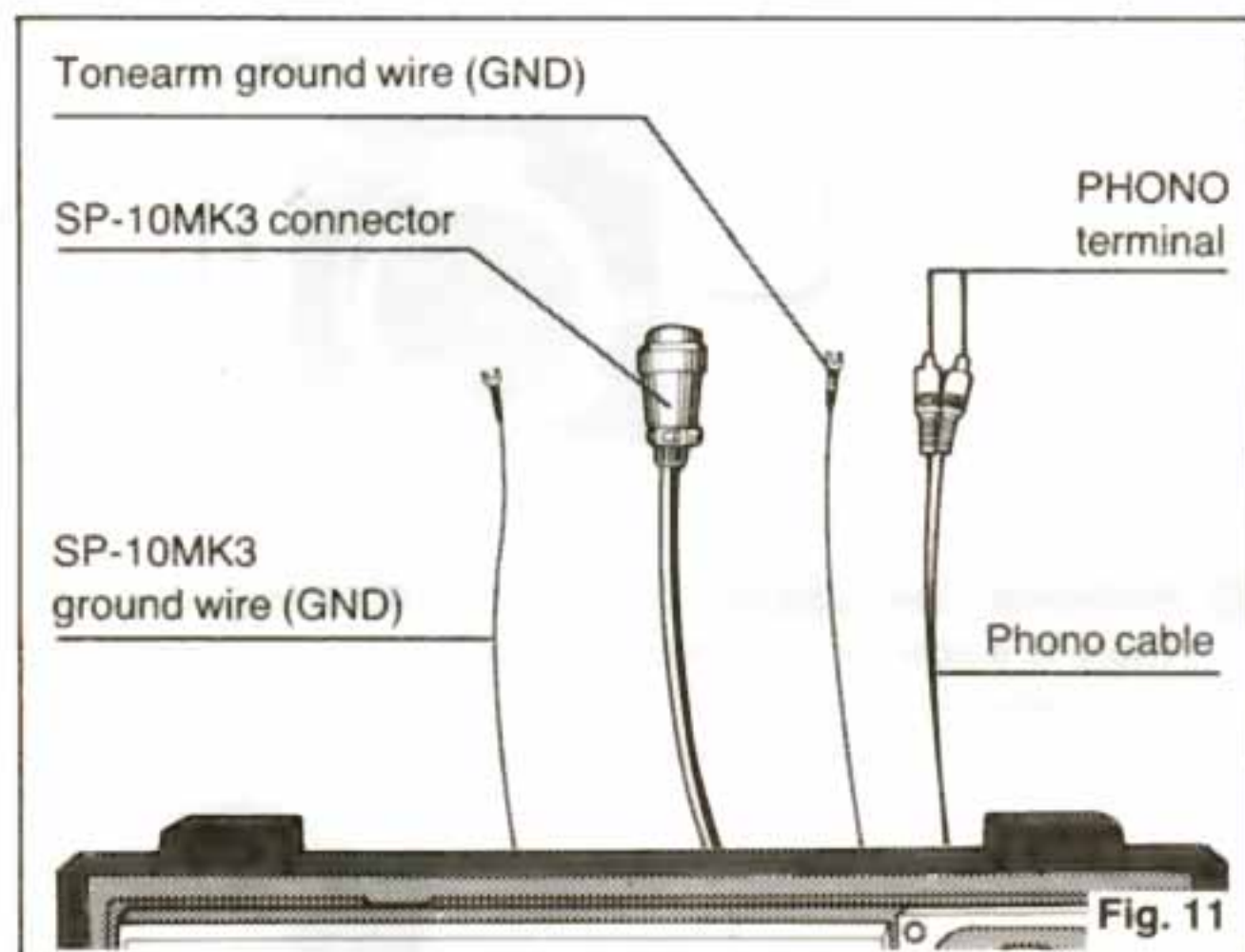


- 3 Drill holes in the arm panel (Fig. 10).

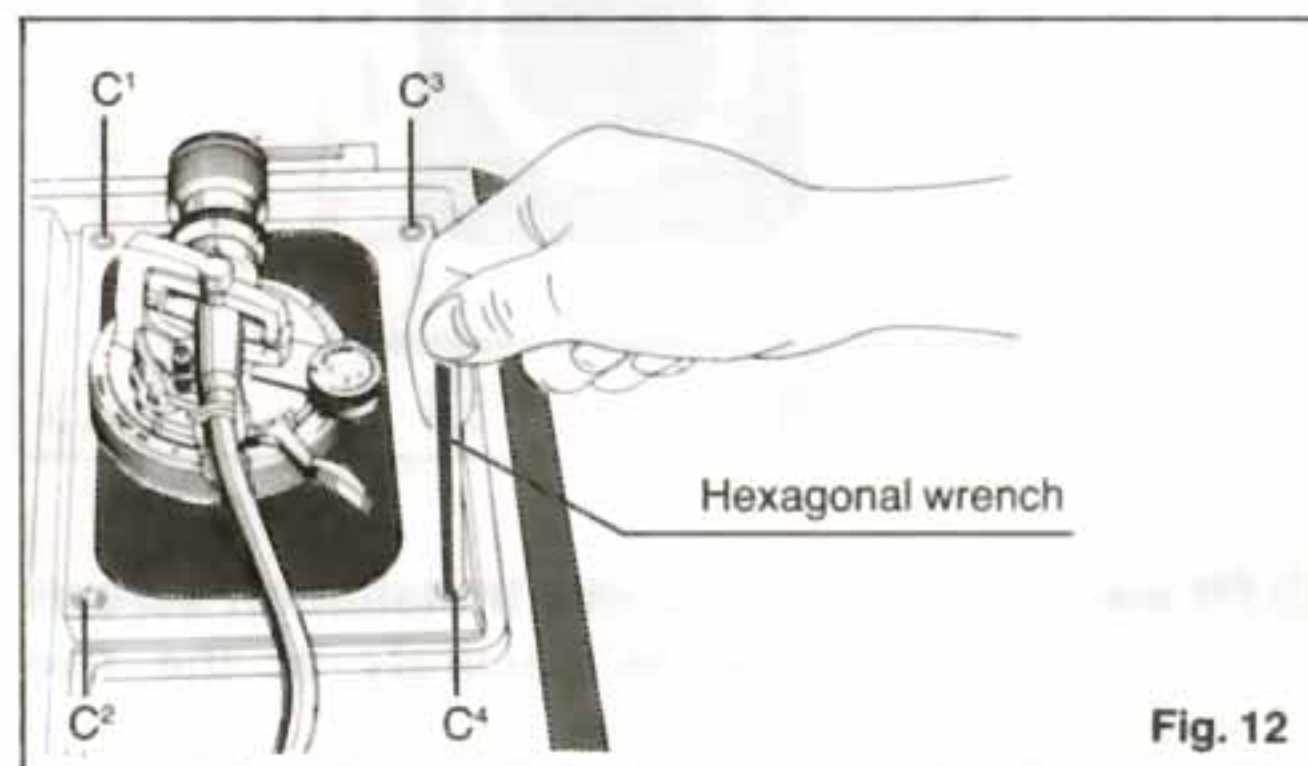
Drill holes with a hand drill or similar tool (as shown) along the circumference marked in step 2. Next cut off any unnecessary parts and finish with a round file.



- 4 Mount the tonearm on the arm base, connect the phono cable to the tonearm, and then pass the cord out through the bottom of the base (Fig. 11).



- 5 Secure the arm panel with the screws (Fig. 12). Tightly secure at positions C¹ to C⁴ with the screws, using the included hexagonal wrench. For adjustments of the height and range of rotation of the tonearm, follow the instructions furnished with the tonearm.



The above steps complete the installation of the tonearm.

Note:

If no template/positioning gauge or the like is furnished with the tonearm, calculate the length from the center spindle to the tonearm mounting position by subtracting the overhang length from the effective length of the tonearm. Set the tonearm according to this calculated length.

Installation of the dust cover

Hold the dust cover at both sides as shown (Fig. 13), and fit the projecting parts of the hinges on the dust cover into the hinge mating recesses on the base. Insert in the direction of the arrow (Fig. 13).

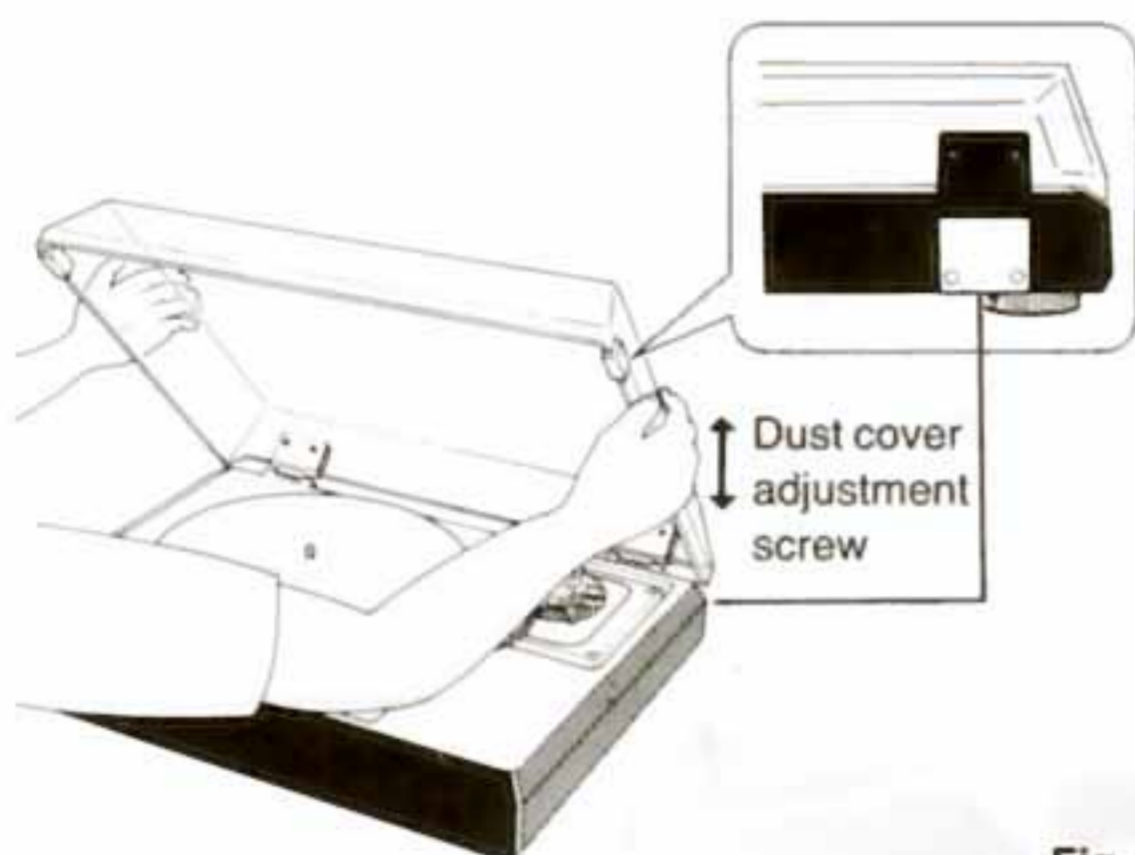


Fig. 13

Notes:

- Open the dust cover and pull out in the direction of the arrow to remove.
- The dust cover movement has been adjusted at the factory. However, if movement is not smooth, turn the dust cover adjustment screw one way or the other as necessary (Fig. 13).

Maintenance

- Use a soft, dry cloth to wipe the dust cover and turntable base.
- Do not use alcohol, benzine, paint thinner, or other solvents to clean the dust cover or base. The surface will lose its luster and the finish may peel off. Also avoid use of chemically treated dust cloths and the like.
- Cracks and cloudiness may result if insecticide spray contacts the dust cover. Use with caution.
- For oily substances or other difficult stains, first unplug the power cord, and then dip a soft cloth in diluted soapy water, wring it out well and wipe clean. Afterward, wipe away any moisture with a dry cloth.
- Do not wipe the dust cover during play, because the resulting static electricity may pull the tonearm up toward the dust cover.

Specifications

External dimensions

(W×H×D): 56.1×17.5×46.6 cm
[maximum height when top (dust cover) is open 48 cm]

Weight: 17.3 kg
Including dust cover;
not including arm panel

Specifications subject to change without notice.
Weight and dimensions shown are approximate.