

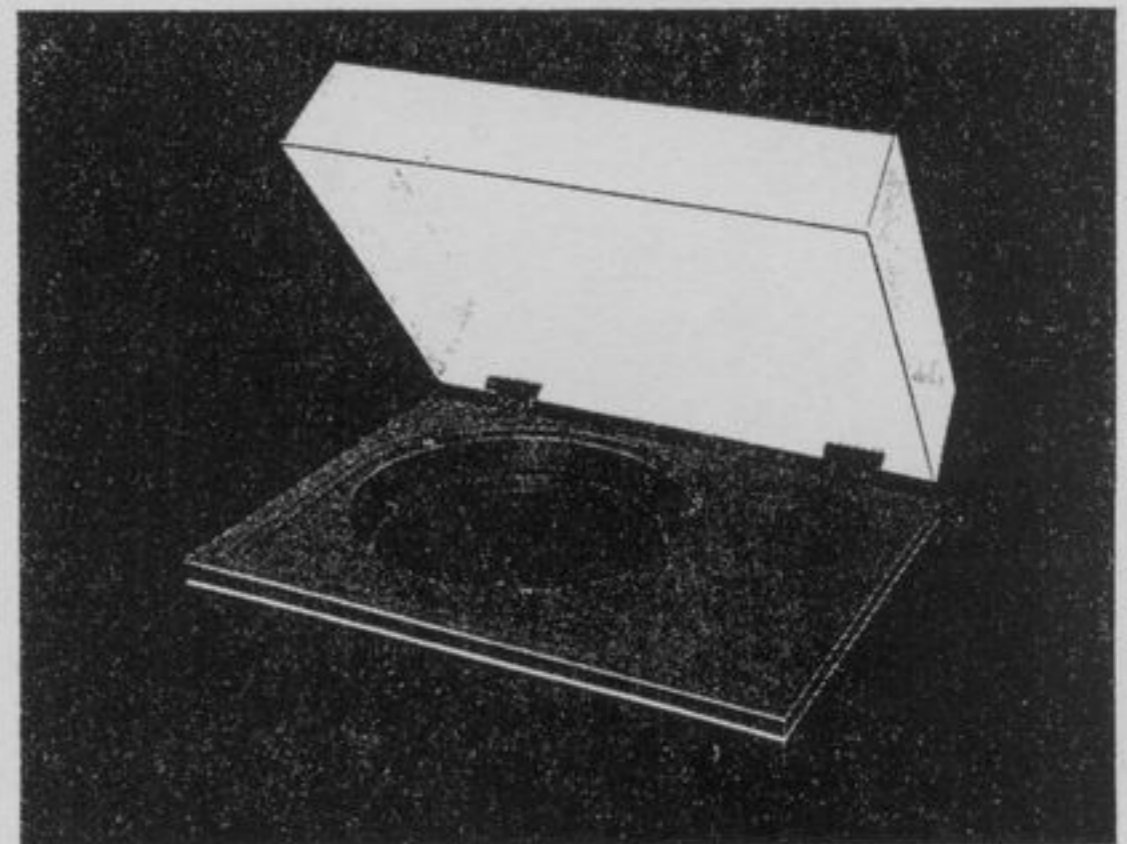
Technics

Turntable base/Dust cover

SH-15B2

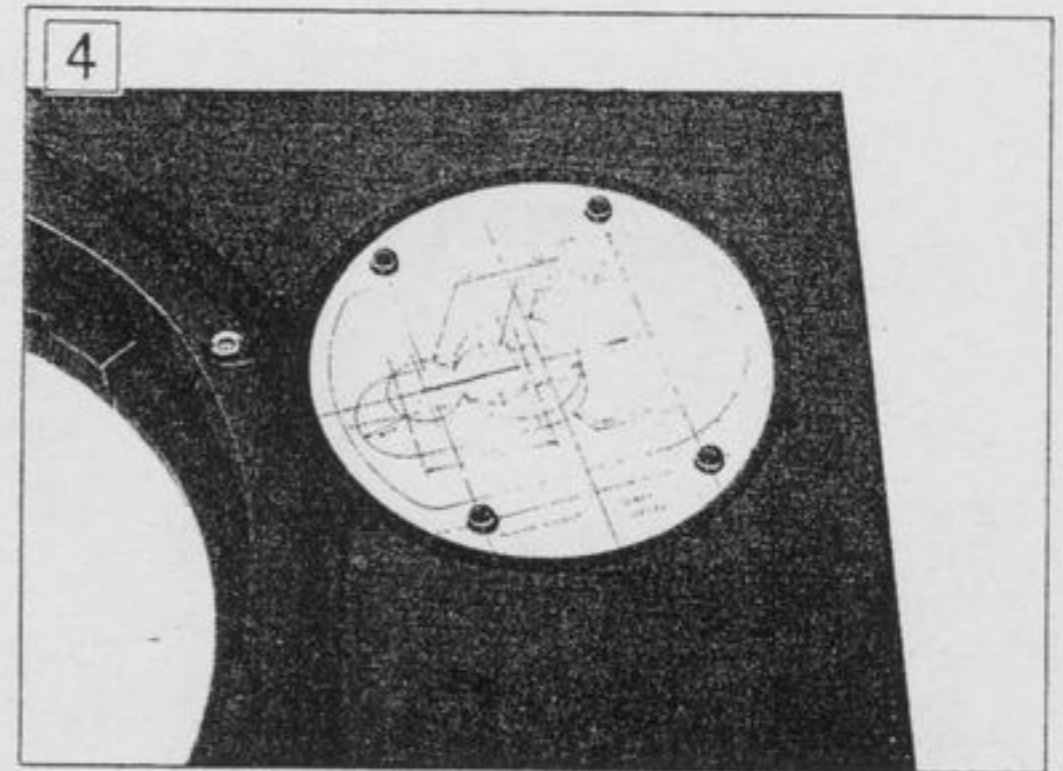
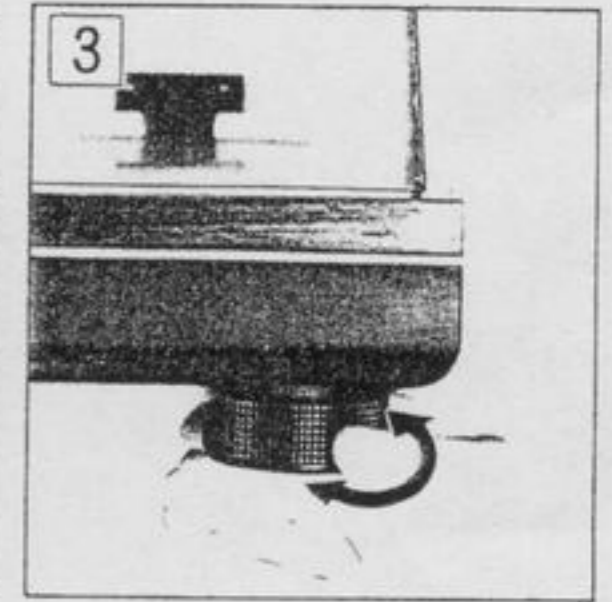
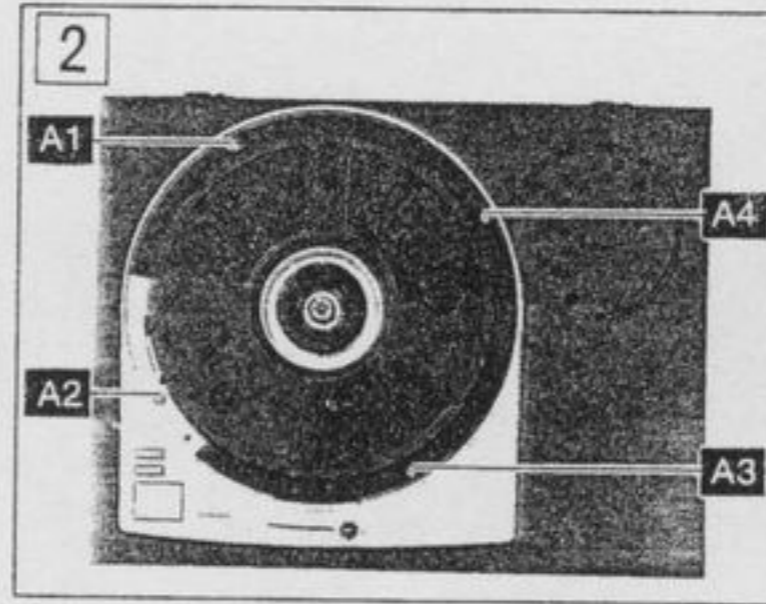
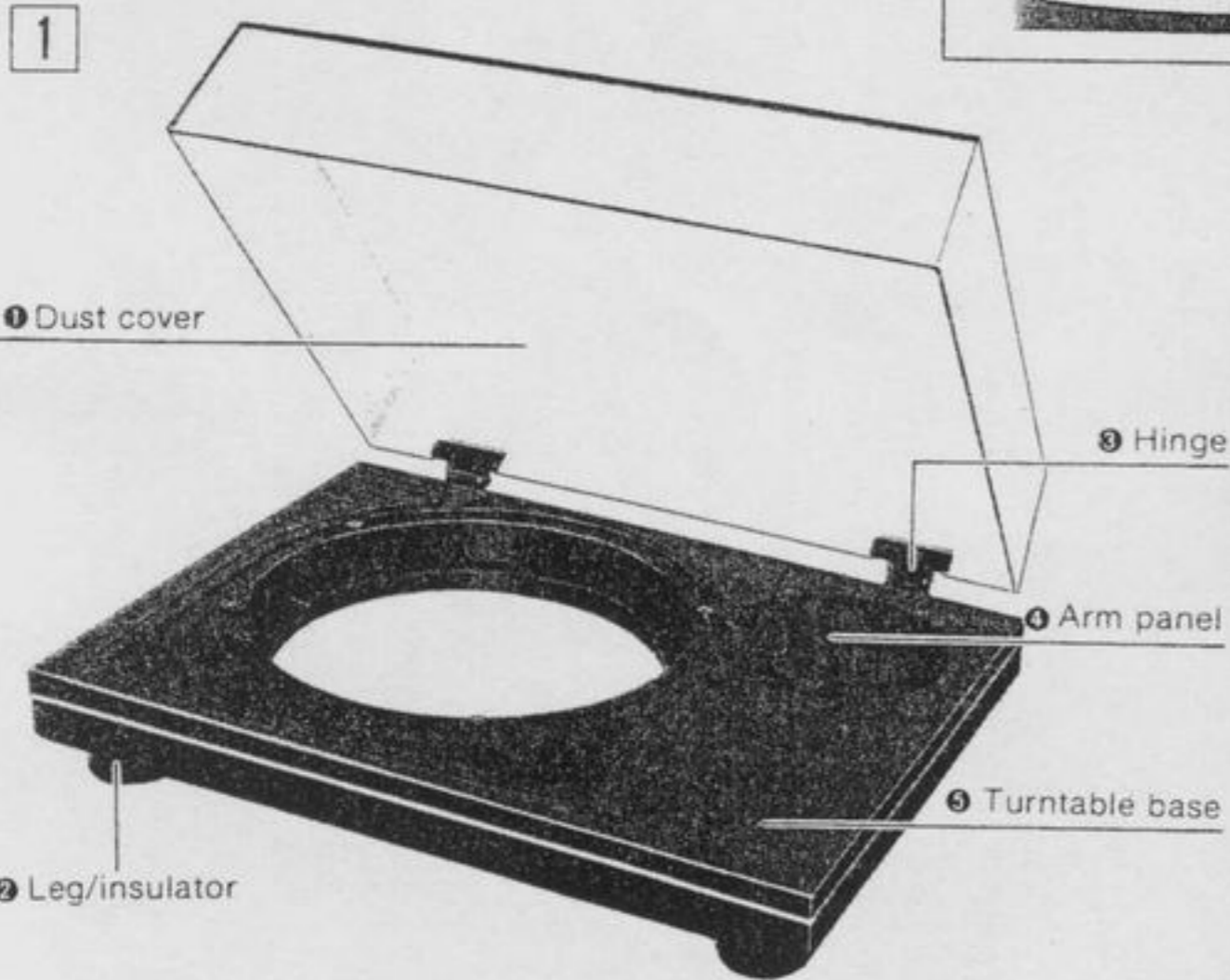
Operating instructions

English	3—5
Deutsch	6—8
Français	9—11
Nederlands	12—14
Español	15—18
Svenska	19—21
Dansk	22—24



Before operating this set, please read these instructions carefully.

Parts identification



Thank you for buying the SH-15B2 Technics turntable base. This unit has been developed as the base for exclusive use with the high performance SP-15/SP-25 Quartz direct-drive turntables. The entire cabinet integrally formed with a special viscoelastic material has its main sections such as the turntable, arm panel, etc. all isolated for vibration damping construction. With the dust cover and insulators directly coupled to the viscoelastic material, the unit has been designed to achieve complete vibration damping.

For optimum performance from this unit and for continuing enjoyment, please carefully read the operating instructions of the unit together with those of the SP-15/SP-25 direct-drive turntables.

Before use

1. After opening the packing case, check to make sure that your turntable base is packaged as per the list below.

Main body (Turntable base)	1
Dust cover	1
Arm panel	1
Arm panel (For Technics Tonearm EPA-500)	1
Arm panel fixing screw	4
Turntable fixing screw (M5 · 20)	4
Turntable fixing washer	4
Hexagonal wrench	1
Tonearm installation diagram	1

How to mount the turntable unit

Note:

Assembling is explained based on the optional Technics turntable SP-25.

1. Fit the SP-25 unit onto the turntable base with the threaded openings of SP-25 aligned.

Note:

In the above procedure, mount the SP-25 unit, with its turntable platter removed.

2. Insert the turntable fixing screws (M5 × 20) with washers and tightly secure the 4 places (A1 to A4) by the screws. (See Fig. 2.)
3. Pull the power cord and ground wire (GND) out from under the turntable base.
4. After that, install the turntable platter and rubber mat.

Note:

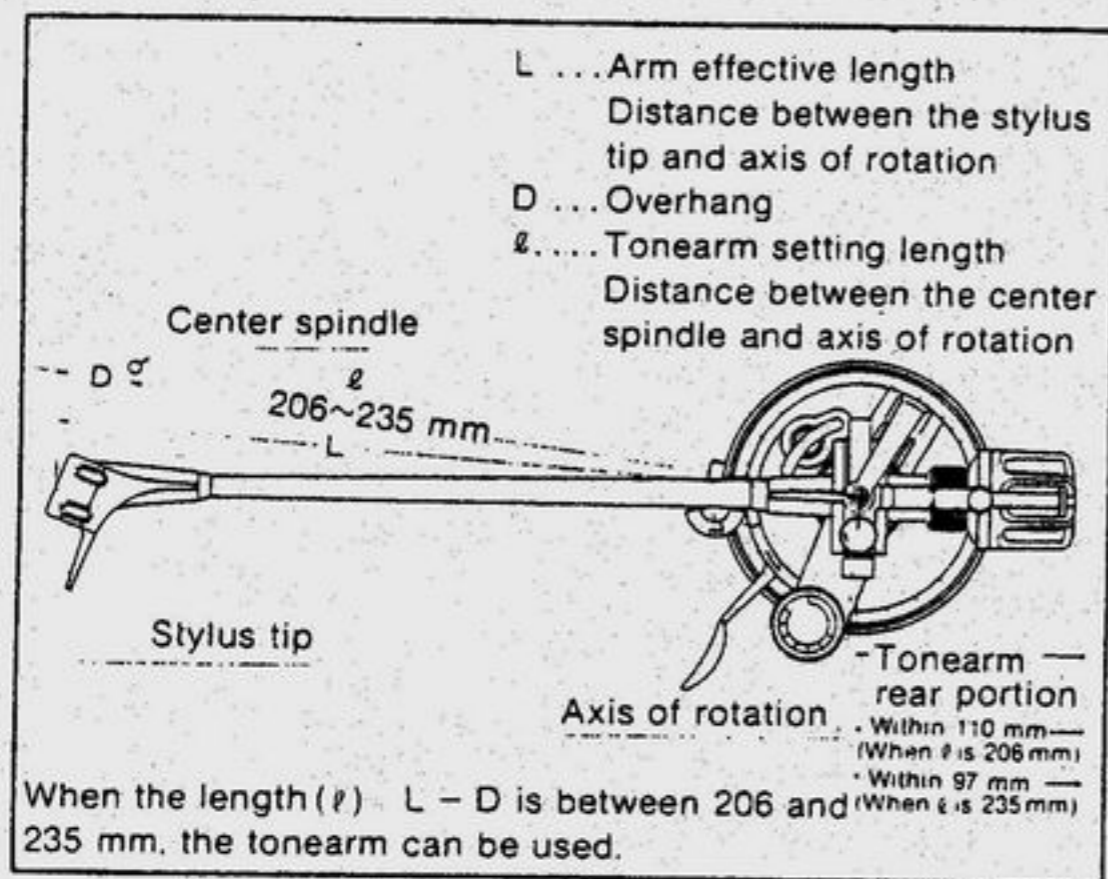
- 1) About the assembling and operation of the SP-25, refer to the operating instructions for the SP-25.
- 2) Attach the dust cover, after mounting of the tonearm and complete adjustments of the various parts.
- 3) The legs/insulators also have functions for adjusting the height of the turntable unit itself. After installing the unit in the place for use, adjust them to stabilize the main body horizontally. (See Fig. 3.)

Tonearms attachable to the unit

Since tonearms attachable to this unit are limited in their dimensions and configurations, select a suitable tonearm based on the following considerations.

Note:

- 1) A tonearm having its rear portion longer than that shown in the figure cannot be used due to interference with the dust cover.
- 2) A tonearm whose arm rest is formed to be a separate component cannot be employed, either. (This is because of the difficulty in drilling a hole for the arm rest in the turntable base.)



How to install the tonearm

■ Setting of the tonearm mounting position.

The unit is furnished with a tonearm installation diagram which enables you to easily set the tonearm mounting position without a template (tonearm mounting gauge) or the like. (Fig. 4.)

The mounting positions for Technics tonearms EPA-100 and SME-3009/S2, S3 have been shown in the installation diagram. For mounting other tonearms, proceed as follows.

1. Loosen the arm panel fixing screws (to such an extent that the heads of the screws are slightly projected), and fit over

the tonearm installation diagram to be aligned with the screw heads. (See Fig. 4.)

2. The dimensions given in the tonearm installation diagram are based on the distances from the center spindle. Mark just the right position where it is equivalent to the distance obtained by subtracting overhang length from the tonearm effective length.

Note:

In the above position setting, ensure that the rear portion of the tonearm does not contact the dust cover during playing.

■ Installation of tonearm

1. Along the circumference marked on the installation diagram, mark the arm panel from the surface of the installation diagram with something having a pointed tip (a pair of compasses, etc.)
2. Drill holes with a hand drill or the like as shown along the circumference marked in the previous item. (See Fig. 5.) Next cut off unnecessary portions and finish with a round file.
3. Mount the tonearm on the arm panel, and pass the PHONO terminal side of the arm output cord through the surface of the turntable base. At the side pull it out from under the base. (See Fig. 6.)
4. Secure the arm panel with screws. (See Fig. 7.)
Tightly secure the 4 positions (B1 to B4) with screws, using the furnished hexagonal wrench.
After the above procedure, the mounting of the tonearm has been completed.
For the arm height and other adjustments, follow the instructions furnished with the tonearm you are using.

Installation of the dust cover

Hold the dust cover at both sides as shown, and insert in the direction of the arrow. (See Fig. 8.)

For removing the dust cover, hold the dust cover open in a similar manner and draw it out in the direction of the arrow.

Note:

1) Wipe the dust cover and turntable base with a soft, dry cloth.

Never use any cleaners containing alcohol, benzene or thinner, since luster and coating of the dust cover and the turntable base may be lost. Use of a chemical dust cloth and the like should also be avoided. Be sure that the dust cover is not exposed to insecticide spray, as cracks or blurs may result. For removing stubborn finger prints or grease spots, be sure to detach the dust cover or disconnect the AC power plug and use a soft cloth dampened with a mild soap and water solution, and then wipe it with a dry cloth.

2) Don't try to wipe the dust cover during playing, since the tonearm may be attracted toward the dust cover due to static electricity developed by wiping action.

Specifications

External dimensions: (W×H×D)	52.6 × 17.2 × 40.3 cm (20-25/32" × 6-25/32" × 15-55/64")
Weight:	10.5 kg (including dust cover) (23.1 lb.)