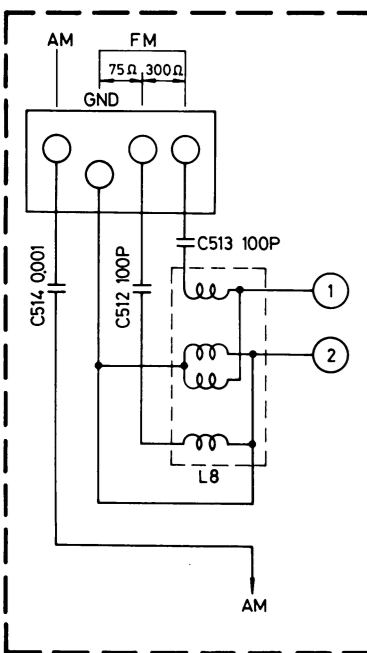
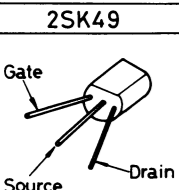
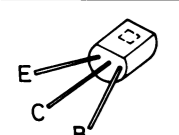


Only set for Australia [XAL]  
• Antenna circuit

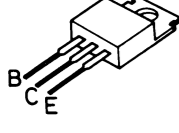


■ TERMINAL GUIDE

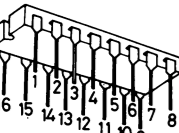
2SC1674, 2SC1675  
2SC945, 2SC1384



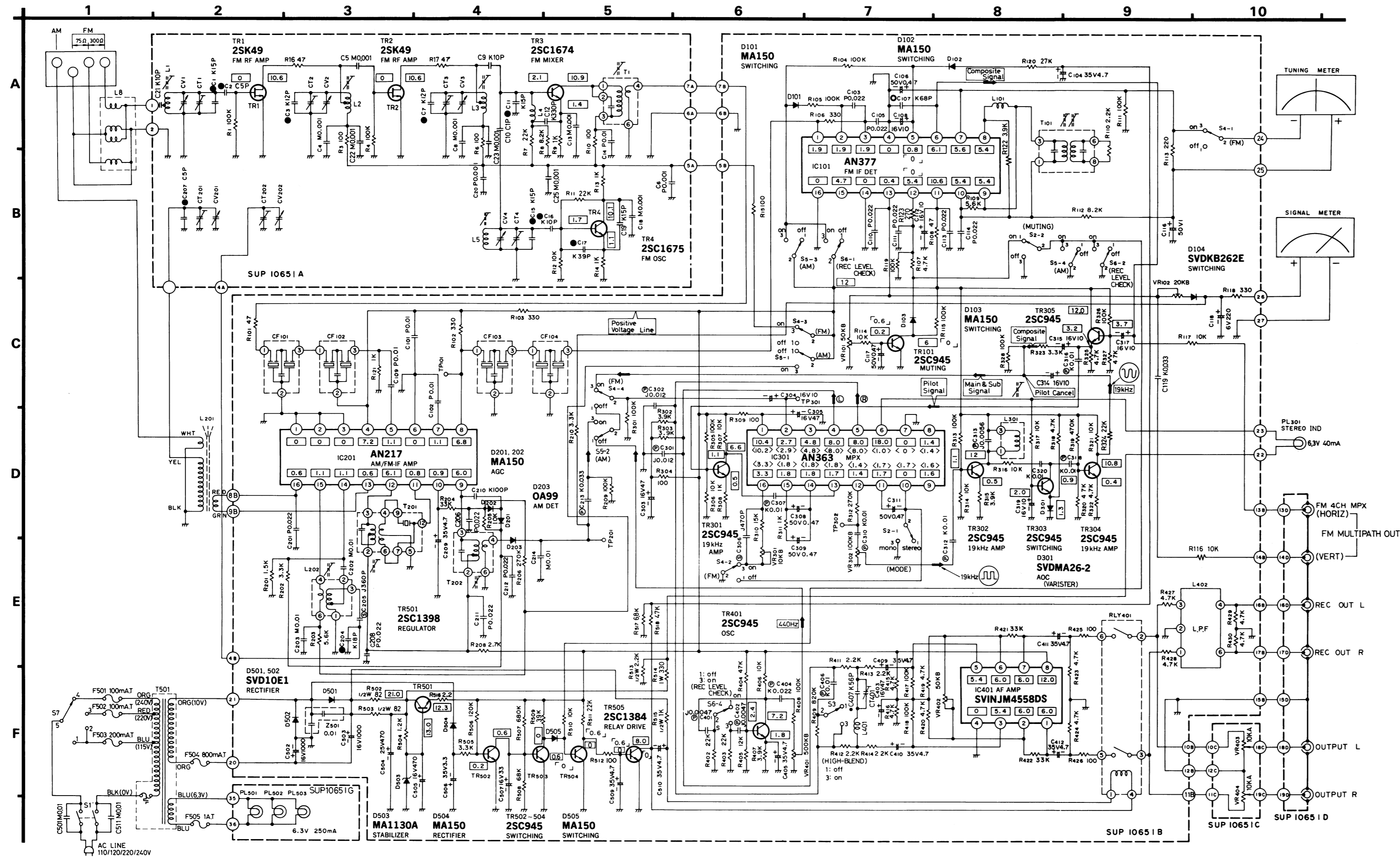
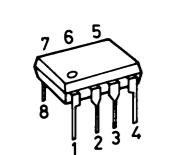
2SC1398



AN217, AN377, AN363



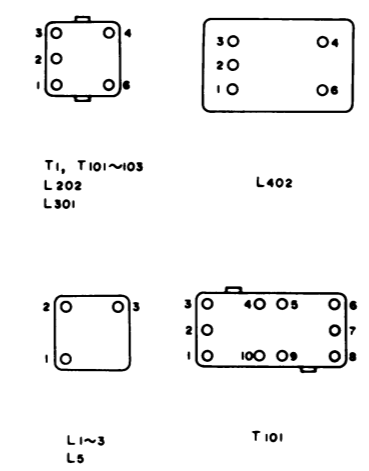
SVINJM4558DS



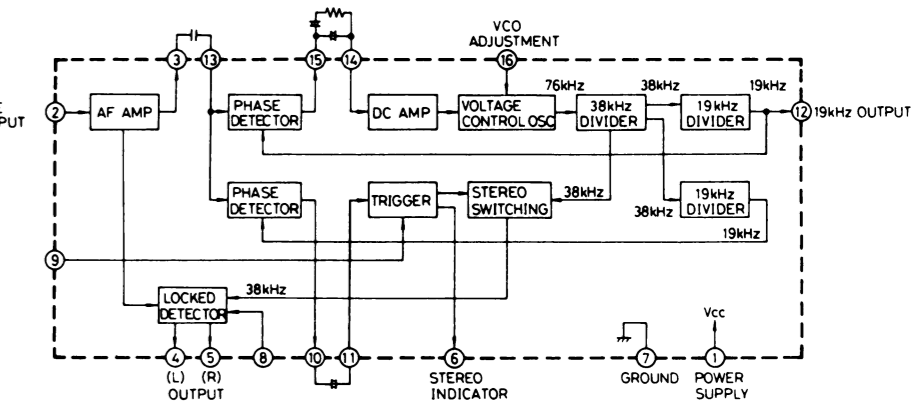
# Schematic Diagram Model ST-8080

- Notes:
- S1:** Power source switch in "OFF" position
  - S2-1, S2-2:** Muting /FM mode switch in "ON/FM AUTO" position.
    - ① ON/FM AUTO → ③ OFF/FM MONO
  - S3:** MPX high blend switch in "OFF" position.
    - ① OFF → ③ ON
  - S4-1 ~ S4-4:** FM selection switch in "FM-ON" position.
    - ① OFF → ③ FM-ON
  - S5-1 ~ S5-4:** AM selection switch in "OFF" position.
    - ① OFF → ③ AM-ON
  - S6-1 ~ S6-4:** Recording level check selection switch in "OFF" position.
    - ① OFF → ③ ON
  - S7:** Voltage selector switch in "240V" position.
    - ④ 240V → ③ 220V → ② 120V → ① 110V
  - Indicated voltage values are the standard values for the unit measured by the DC electronic circuit tester (high impedance) with the chassis taken as standard. Therefore, there may exist some errors in the voltage values, depending on the internal impedance of the DC circuit tester.
    - < > FM stereo signal reception
    - FM muting circuit operating
  - This schematic diagram may be modified at any time with the development of new technology.

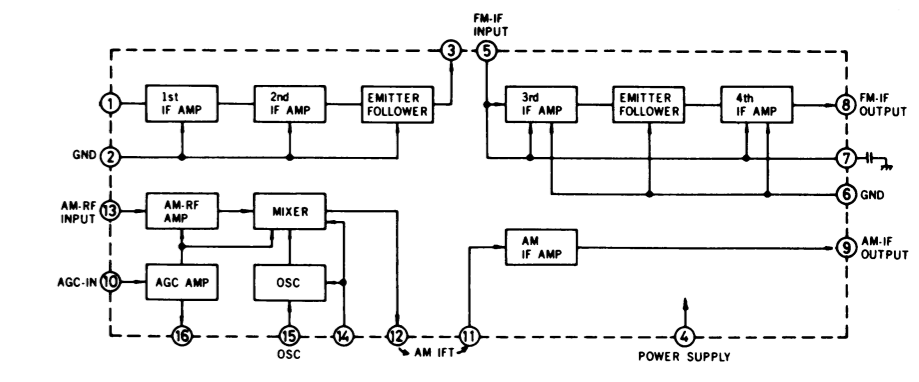
BOTTOM VIEWS



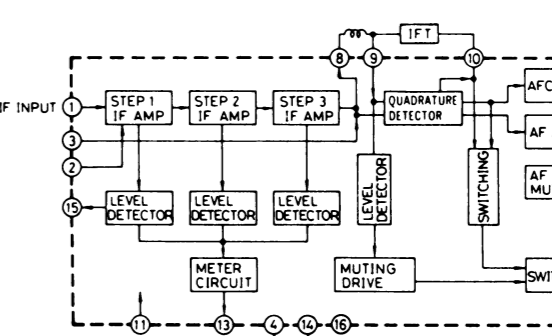
IC301 (AN363)  
FM MULTIPLEX  
PLL DEMODULATOR



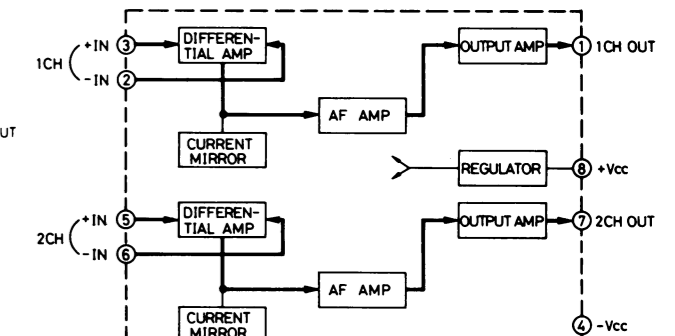
IC201 (AN217)  
FM 2 STEPS IF AMPLIFIER  
& AM CONVERTER



IC101 (AN377)  
FM IF AMPLIFIER & DETECTOR

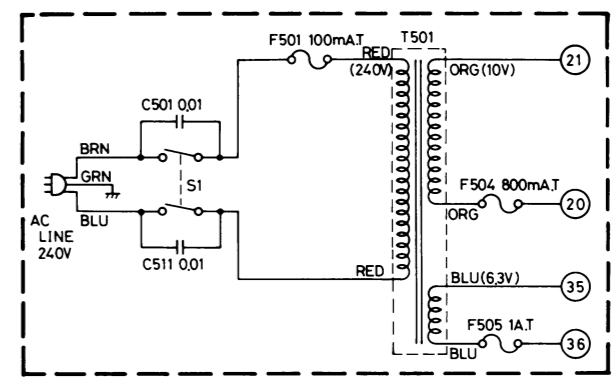


IC401 (SVINJM4558DS)  
2CHANNEL AF AMPLIFIER



■ POWER SOURCE CIRCUITS FOR AUSTRALIA & ENGLAND

Only set for Australia [XAL]



Only set for England [XE]

