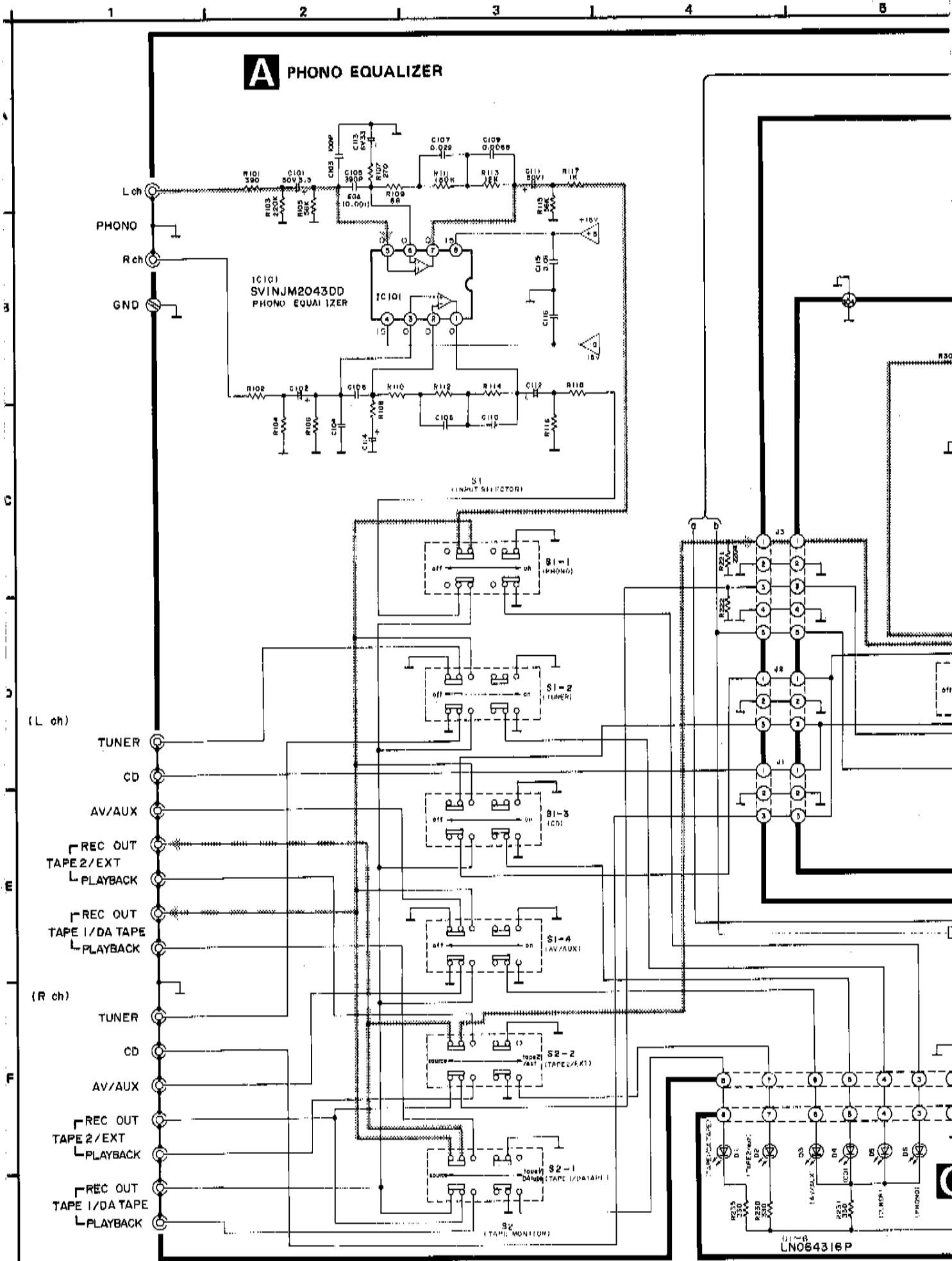


A PHONO EQUALIZER



POWER AMP./
CURRENT
DRIVE AMP.

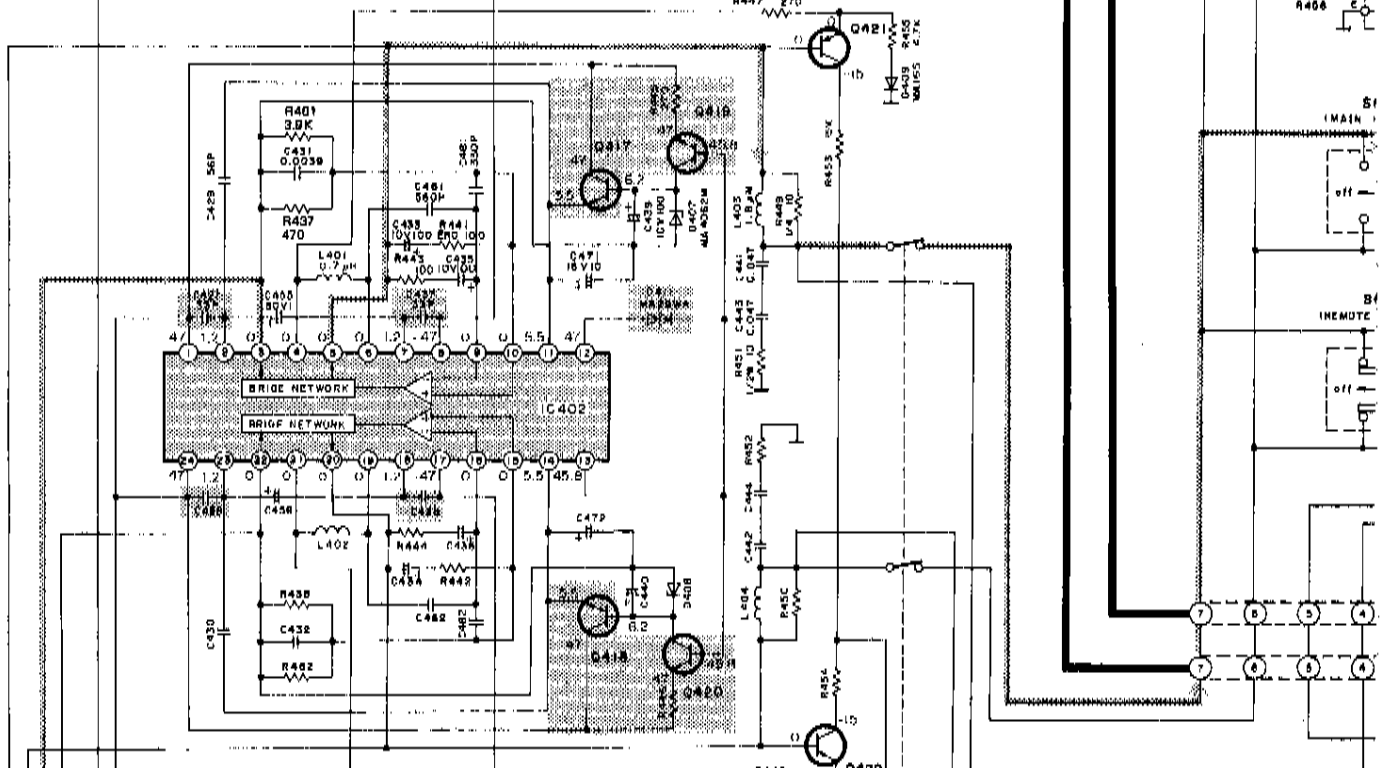
IC402
SV14003
POWER AMP

Q417, 418
2SC2631
CURRENT
STABILIZER

Q419, 420
2SA1123
CURRENT
STABILIZER

Q421, 422
2SA992
OVN R LOAD DET.

D



MUTING/PROTECTION

Q405, 406
2SC3311A
LIMITER

Q407, 408
2SA1309A
LIMITER

Q409, 410
2SC2631
A CLASS AMP

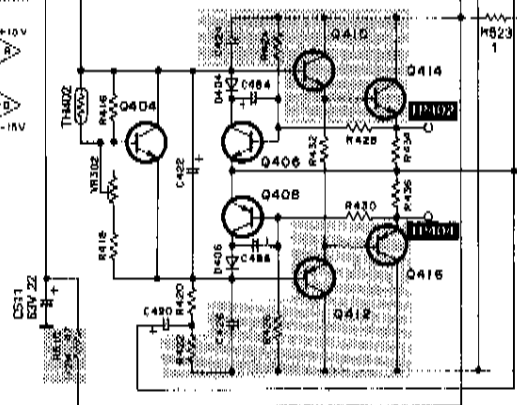
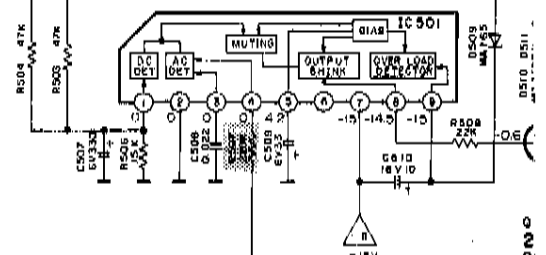
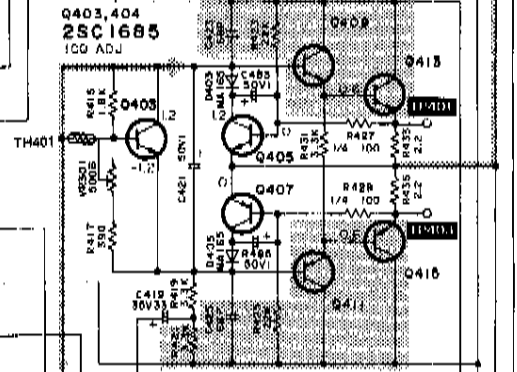
Q411, 412
2SA1123
A CLASS AMP

Q413, 414
2SC3298
A CLASS AMP

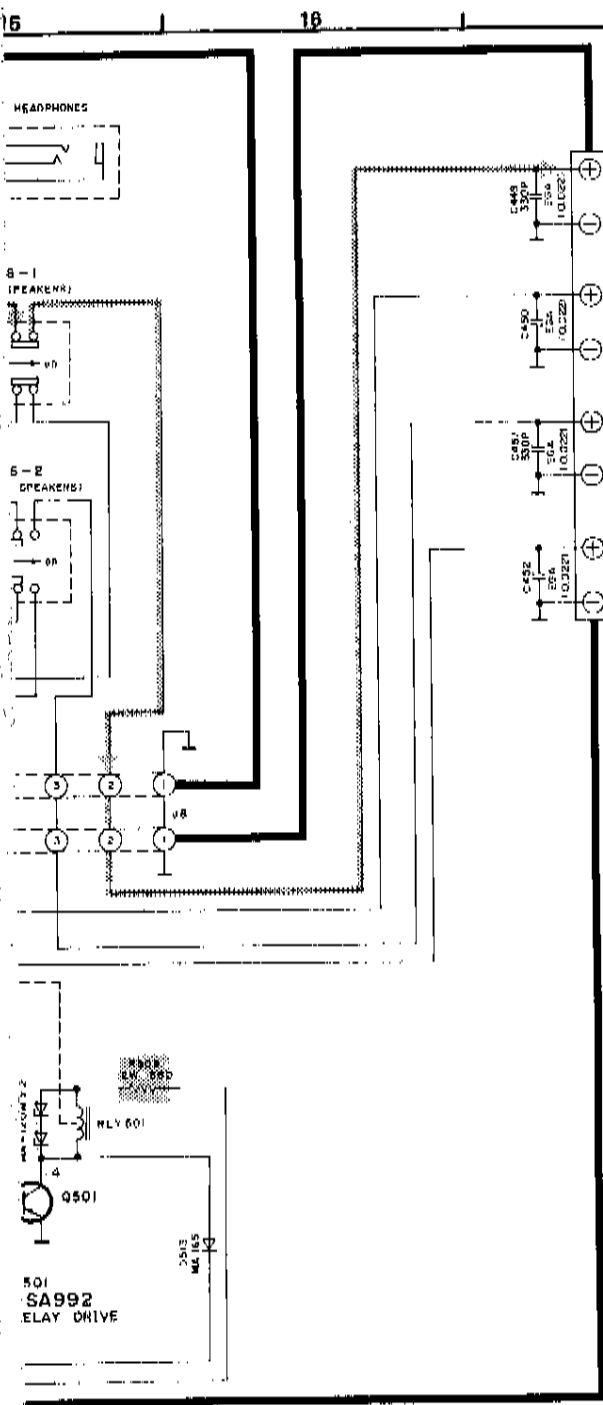
Q415, 416
2SA1306
A CLASS AMP

Q403, 404
2SC1685
ICG ADJ.

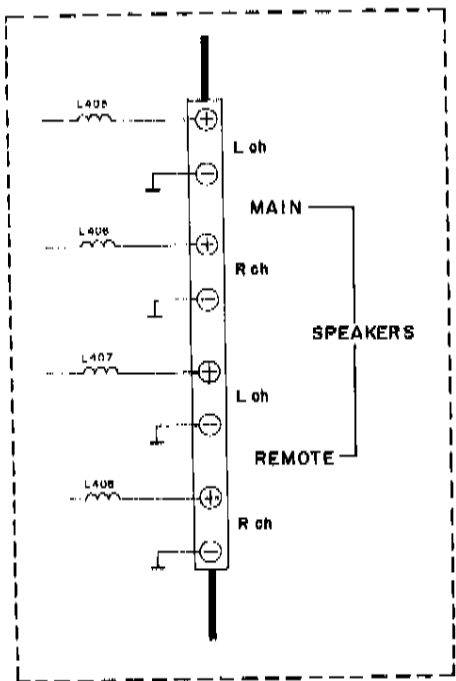
IC501
AN7073
PROTECTION



VOLTAGE CONTROL AMP.



• Speaker terminal For F.R. Germany [EGA]



----- Phono signal (Lch)
 - - - - - Positive voltage lines or Negative voltage lines.

IMPORTANT SAFETY NOTICE

The shaded area on this schematic diagram incorporates special features important for protection from fire and electrical shock hazards. When servicing it is essential that only manufacturer's specified parts be used for the critical components in the shaded area of the schematic.

This power source circuit is intended for the USA [M] and Canada [MC]. For Europe and other areas, see page 14.

