

# SCHEMATIC DIAGRAM

(Parts list on page 20~22)

A (This schematic diagram may be modified at any time with the development of new technology.)

**Notes:**

- S1 : Power switch in "on" position.
- S101 : Input selector switch in "phono" position.
- S102 : Recording output selector switch in "tape 2/ DAT▶1" position.
- S103-1 : Phono cartridge selector switch in "MM" position.
- S103-2 : Mode selector switch in "stereo" position.
- S103-3 : Loudness switch in "off" position.
- S301 : Tone control switch in "defeat" position.
- S302 : Power amplifier direct switch in "off" position.
- S501-1 : Speaker (A) selector switch in "on" position.
- S501-2 : Speaker (B) selector switch in "off" position.

- : Positive voltage lines.
- - - : Negative voltage lines.
- ⋯ : Phono Signal (Lch)
- ⋯ : Recording Signal

•Indicated voltage values are the standard values for the unit measured by the DC electronic circuit tester (high-impedance) with the chassis taken as standard. Therefore, there may exist some errors in the voltage values, depending on the internal impedance of the DC circuit tester.

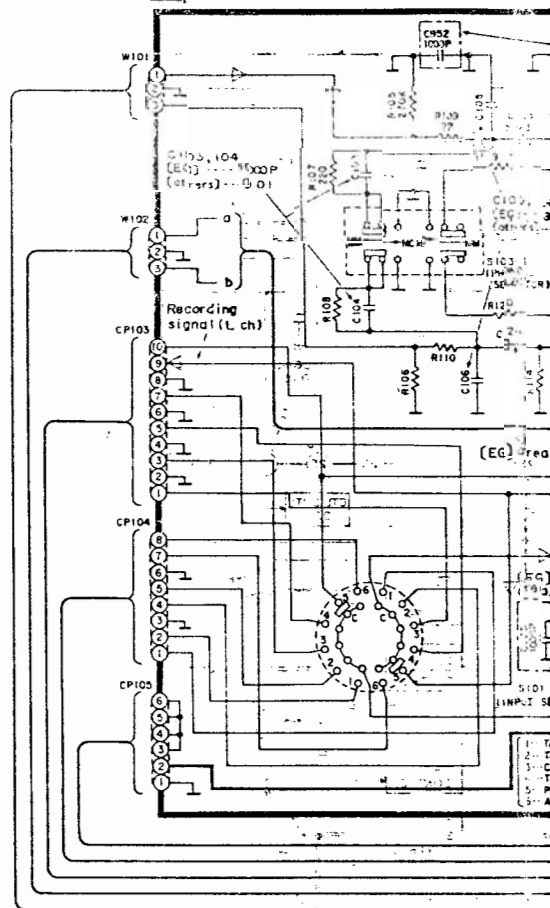
**Important safety notice:**

Components identified by  $\Delta$  mark have special characteristics important for safety. When replacing any of these components, use only manufacturer's specified parts.

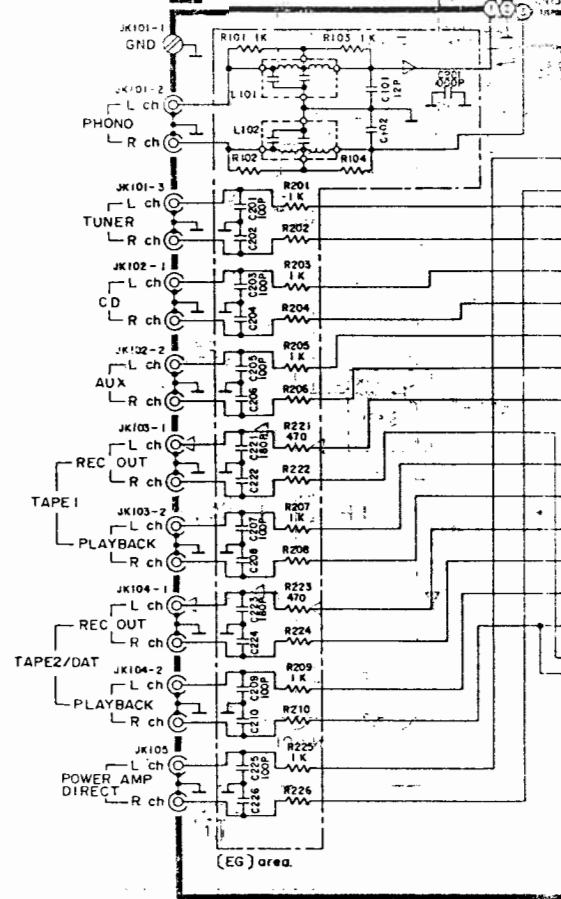
**\*Caution!**

- IC and LSI are sensitive to static electricity.
- Secondary trouble can be prevented by taking care during repair.
- \*Cover the parts boxes made of plastics with aluminum foil.
- \*Ground the soldering iron.
- \*Put a conductive mat on the work table.
- \*Do not touch the legs of IC or LSI with the fingers directly.

## A PHONO EQ/TONE AMP CIRCUIT

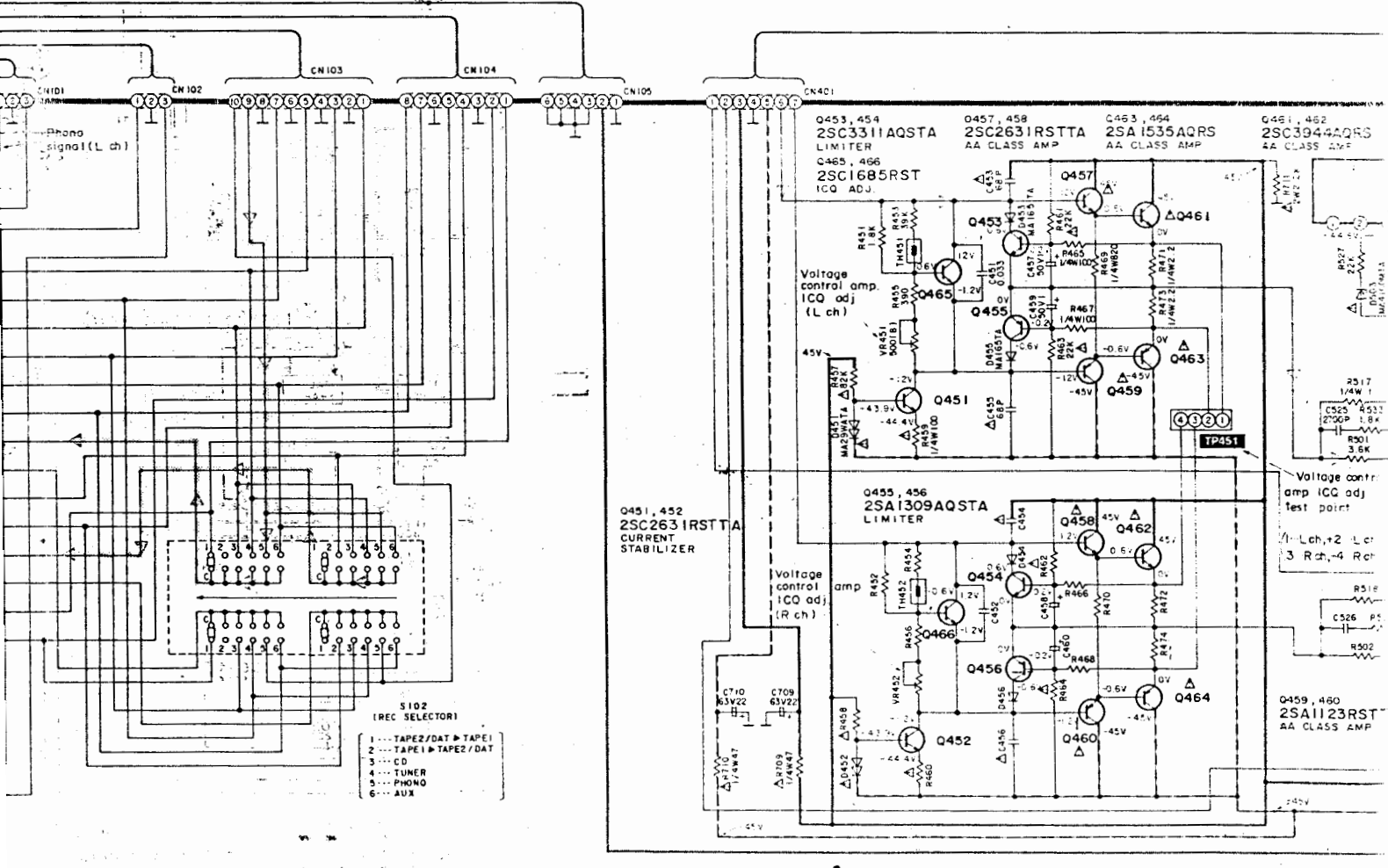
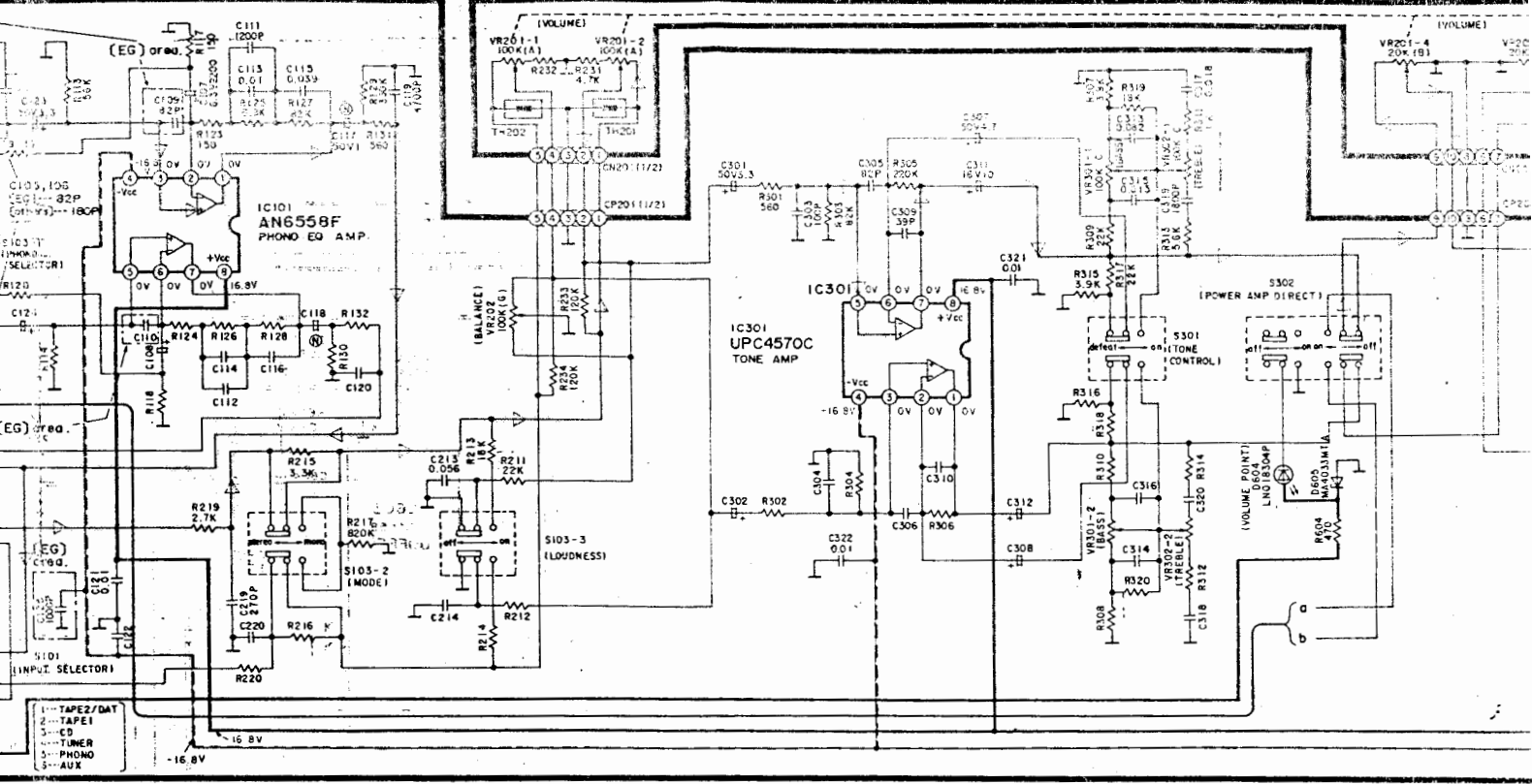


## B MAIN CIRCUIT



CIRCUIT

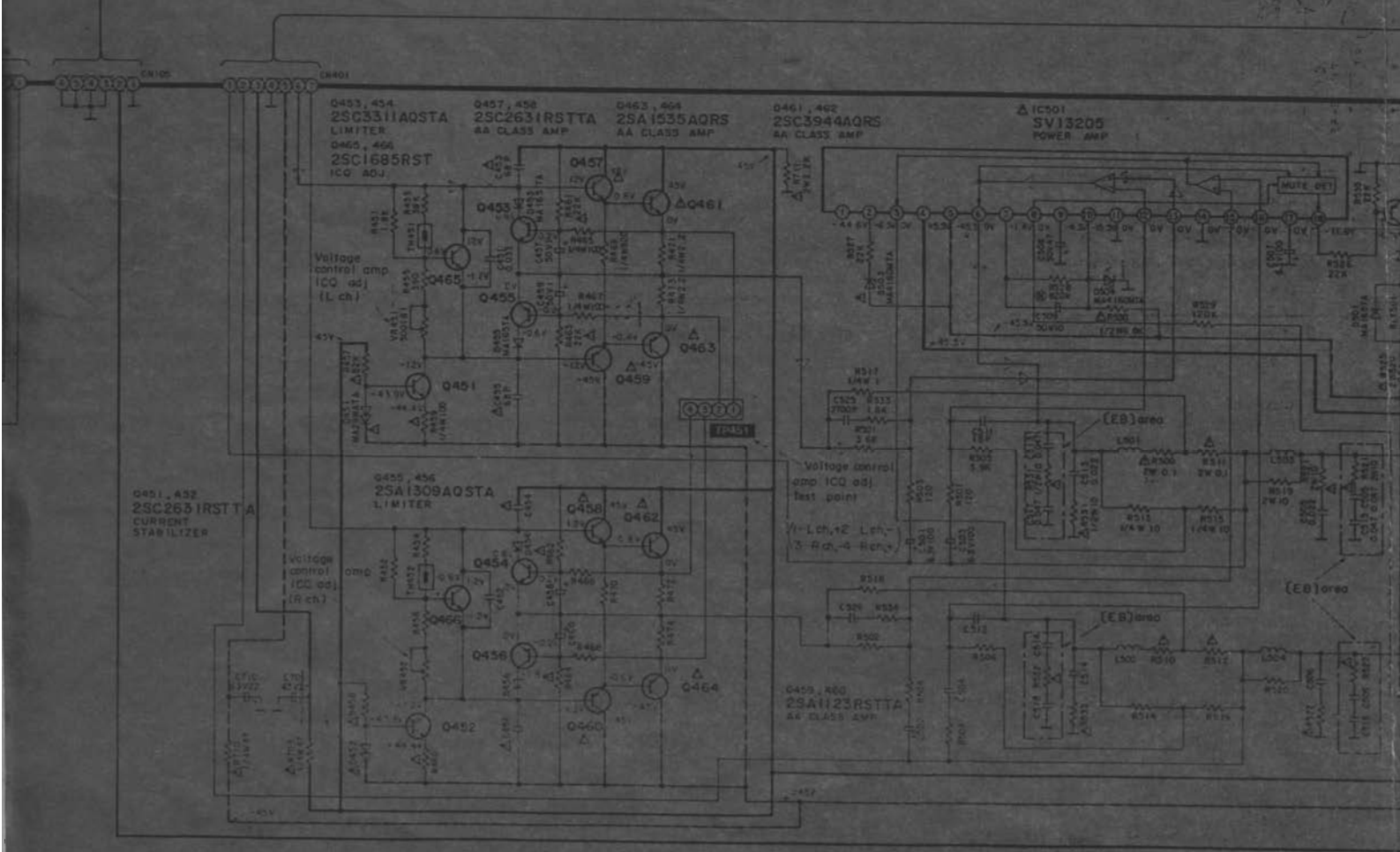
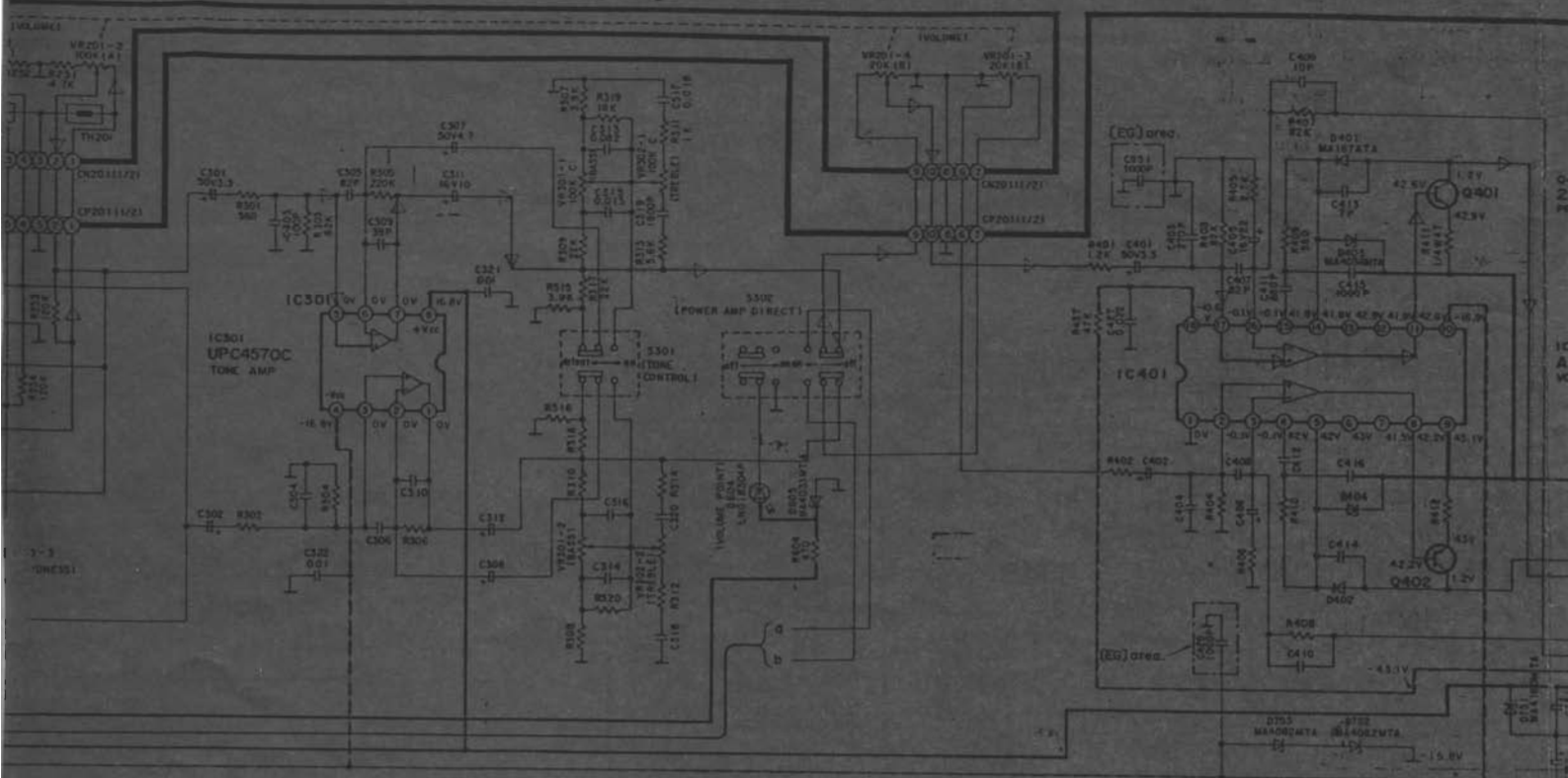
VOLUME CIRCUIT

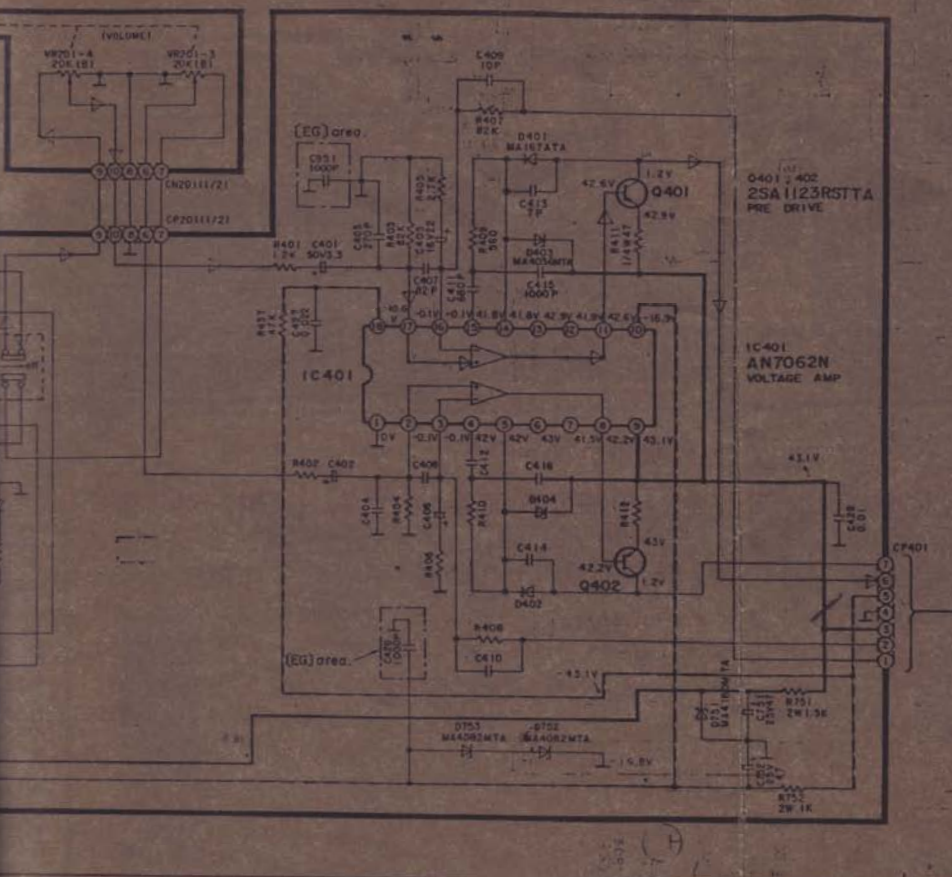


- S102 (REC SELECTOR)
- 1 ..... TAPE2/DAT
  - 2 ..... TAPE1
  - 3 ..... CD
  - 4 ..... TUNER
  - 5 ..... PHONO
  - 6 ..... AUX

1/ Lch, 2/ Lr  
3/ Rch, 4/ Rr

VOLUME CIRCUIT

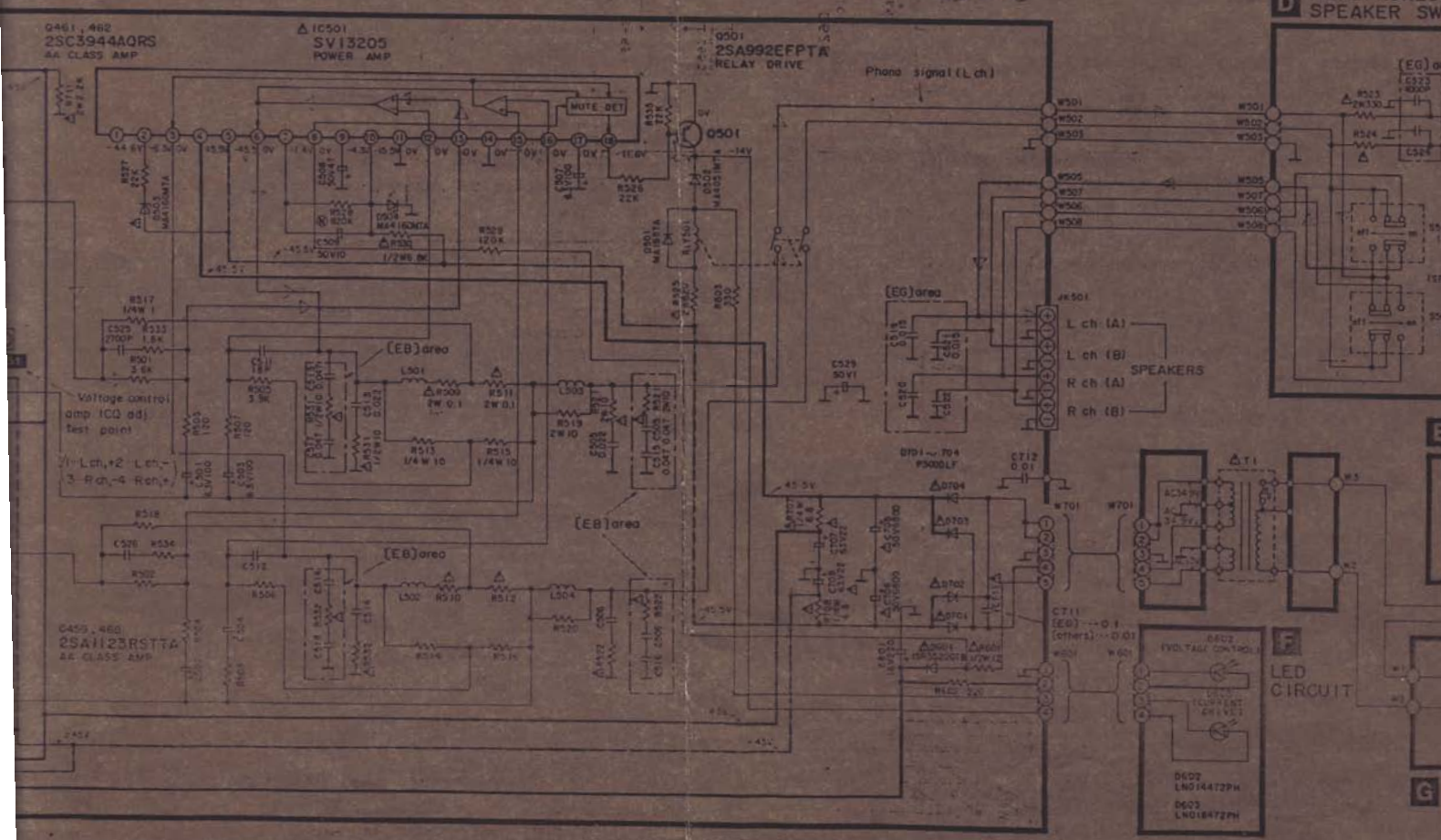
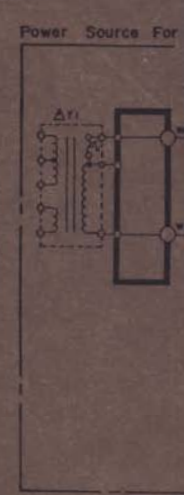




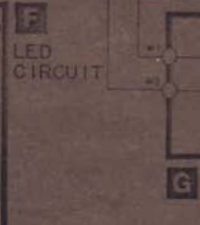
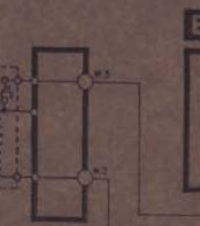
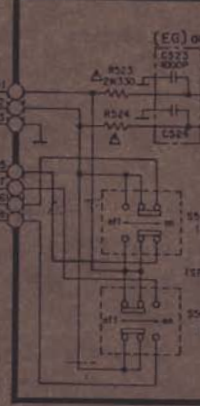
*gpransdruc*

*B5 = 3*

*B3 = 6*



**D HEADPHONES & SPEAKER SW**



# ■ BLOCK DIAGRAM

