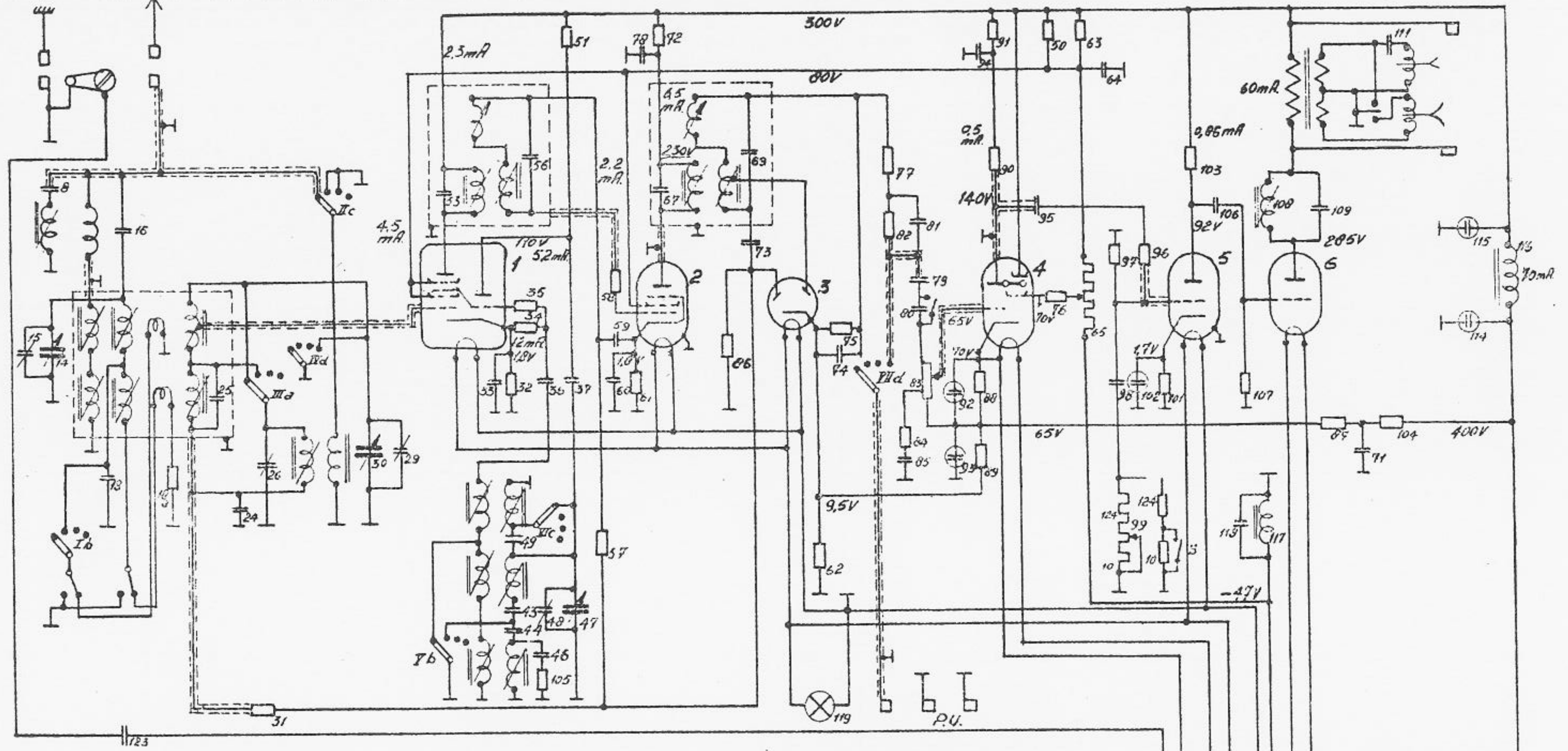
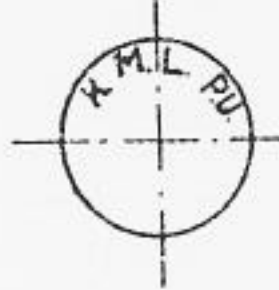


- 8 60pF ± 2.5%
- 10 60kΩ 0.25W
- 14 500cm
- 15 trimmer cond.
- 16 5pF ± 20%
- 18 50pF ± 10%
- 18a 100Ω 0.25W
- 24 0.1M
- 25 50pF ± 10%
- 26 trimmer cond.
- 29 trimmer cond.
- 30 500cm
- 31 2MΩ 0.25W
- 32 150Ω 0.25W
- 33 30.000pF
- 34 20kΩ 0.25W
- 35 100Ω 0.25W
- 36 100pF ± 10%
- 37 1000pF
- 43 58pF ± 2.5%
- 44 280pF ± 2.5%
- 46 45pF ± 2.5%
- 47 500cm
- 48 trimmer cond.
- 49 20pF ± 2.5%
- 50 30kΩ 2W
- 51 30kΩ 1W
- 53 190pF ± 2.5%
- 56 190pF ± 2.5%
- 57 1MΩ 0.25W
- 58 1kΩ 0.25W
- 59 30.000pF
- 60 50.000pF
- 61 200Ω 0.25W
- 62 2.5kΩ ± 5%
- 63 30kΩ 2W
- 64 1M 250V
- 65 4kΩ lin.
- 67 190pF ± 2.5%
- 69 190pF ± 2.5%
- 71 2M 250V
- 72 10kΩ 0.5W
- 73 50pF ± 10%
- 74 50pF ± 10%
- 75 300kΩ 0.25W
- 76 2MΩ 0.25W
- 77 200kΩ 0.25W
- 78 0.5M 55pF 500V
- 79 1000pF
- 80 70pF ± 10%
- 81 100pF ± 10%
- 82 2MΩ 0.25W
- 83 1.5MΩ 1/2W
- 84 10kΩ 0.25W
- 85 20.000pF
- 86 1MΩ 0.25W
- 87 30kΩ ± 5%
- 88 5kΩ 0.25W
- 89 12.5kΩ ± 5%
- 90 150kΩ 0.25W
- 91 60kΩ 0.25W
- 92 25M 0.10V
- 93 0.1M 85-100k
- 94 2M 250V
- 95 1000pF
- 96 150kΩ 0.25W
- 97 500kΩ
- 98 1000pF
- 99 2MΩ trimmer
- 101 5kΩ 0.25W
- 102 0.1M 20-25V
- 103 200kΩ 0.25W
- 104 50kΩ ± 5%
- 105 100Ω 0.25W
- 106 1000pF
- 107 70kΩ 0.25W
- 109 1000pF
- 111 2M 350V
- 114 16.1M 45pF 500V
- 115 16.1M 45pF 500V
- 118 49pF 50V max.
- 119 4kΩ 0.6MΩ
- 124 2 × 5000pF
- 125 250pF 250V
- 129 10kΩ
- 138 5kΩ 0.25W
- 176 18kΩ 0.25W
- 177 Voltdip. 60pΩ
- 178 Trimble schak.

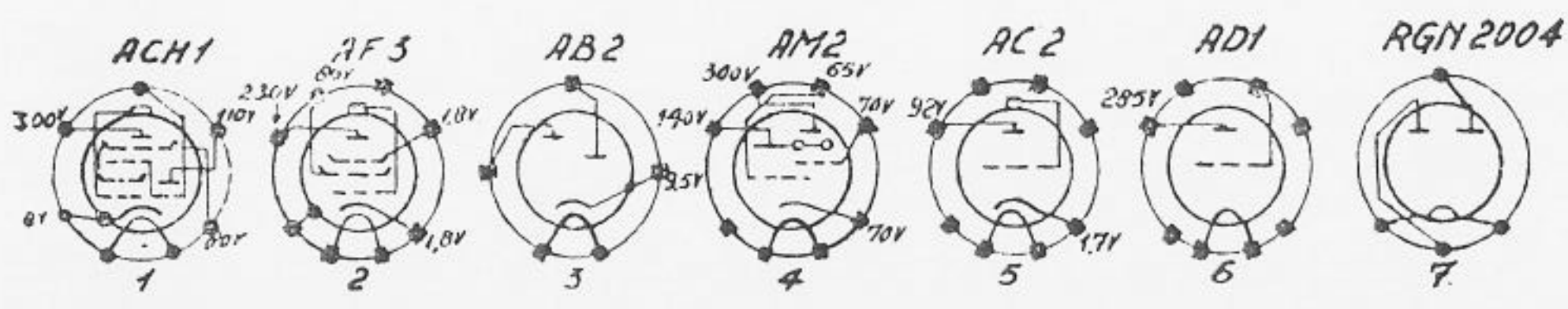


Alle spanningen boven 7.5V, gemeten met voorschakelweerstand 500 of 600 in "Gramfoonstand".



I - IV Ingangsbandfilter  
 V en VI Oscillator  
 VII Pick-Up  
 Getekende schakelstand: kort.

Telefunken  
**8772 W.K.**



0.575A bij 220V.  
 0.675A bij 127V.