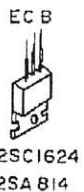
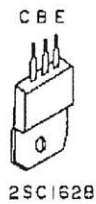
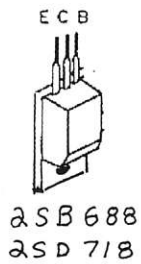
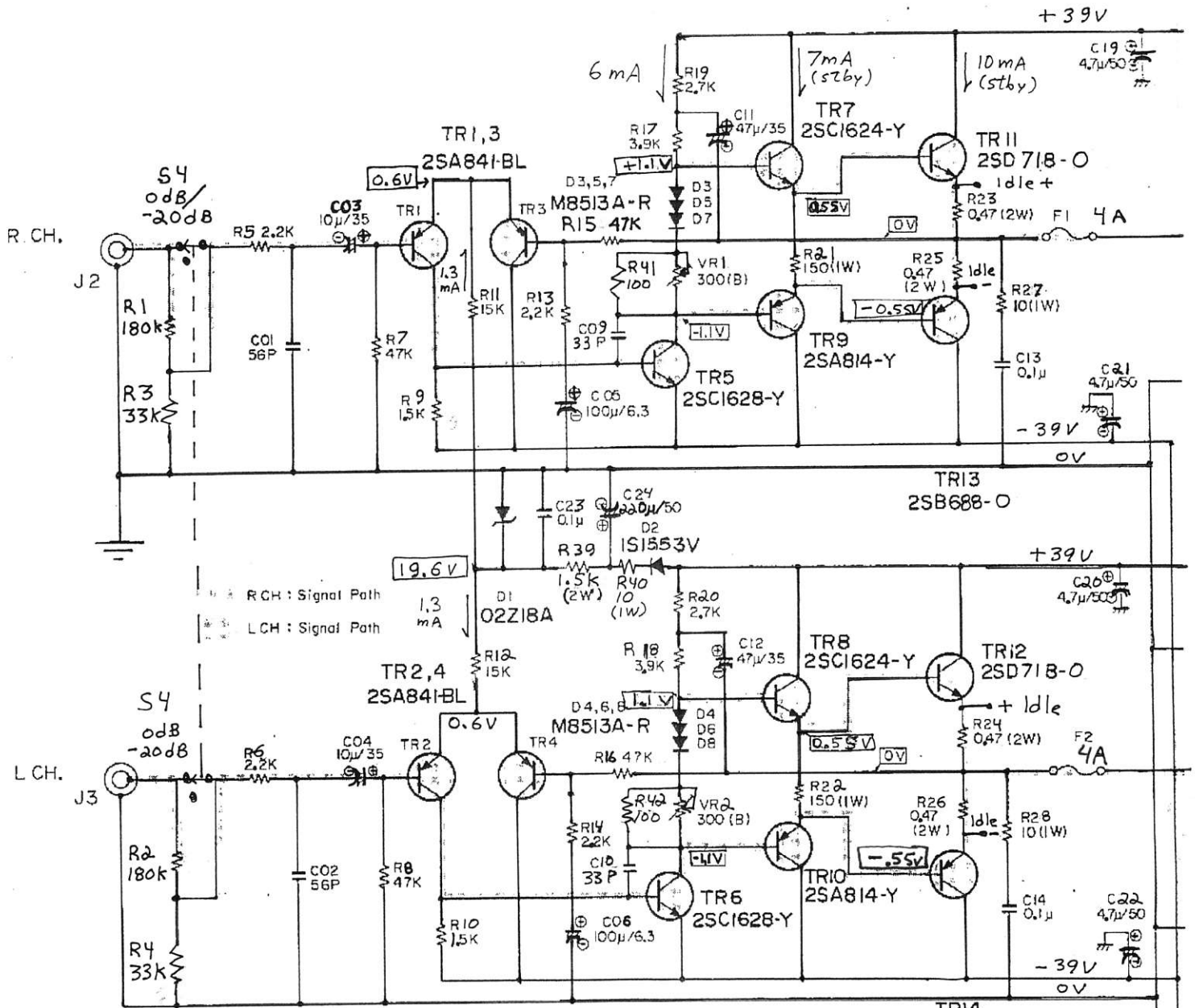
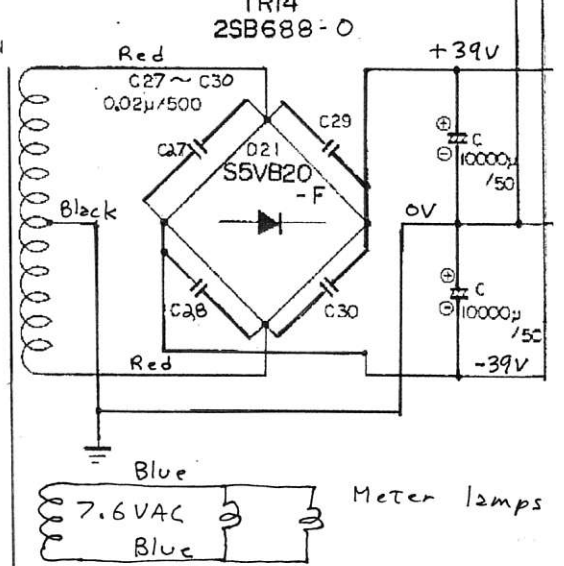
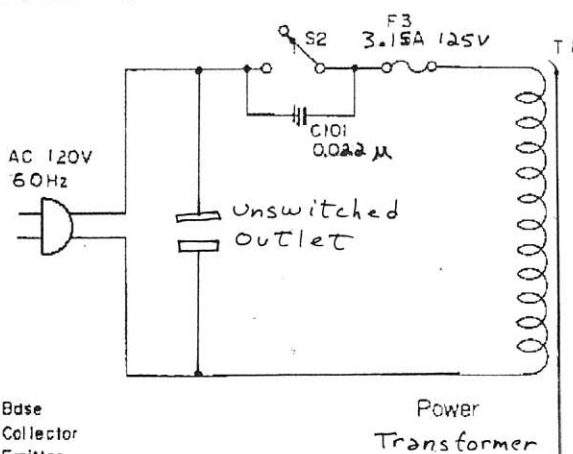


# Toshiba SC-335 (Cdn. model) SCHEMATIC DIAGRAM (1 of 2)

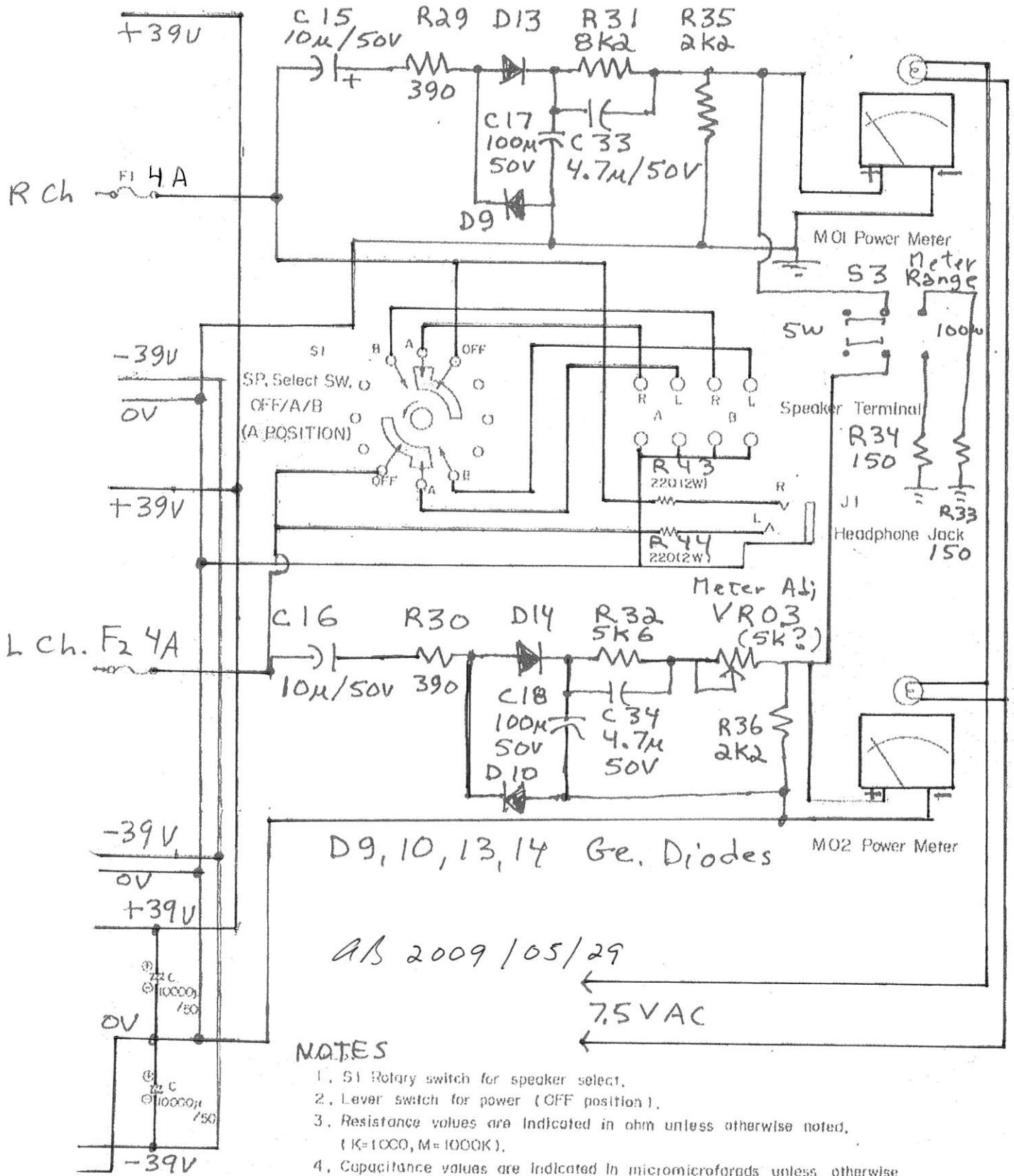


B --- Base  
 C --- Collector  
 E --- Emitter



as 2009/05/29

# Toshiba SC-335 (Cdn. model) Schematic Diagram (2 of 2)



## NOTES

1. S1 Rotary switch for speaker select.
2. Lever switch for power (OFF position).
3. Resistance values are indicated in ohm unless otherwise noted, (K=1000, M=1000K).
4. Capacitance values are indicated in micromicrofarads unless otherwise specified (P=micro-microfarads).
5. Bias Adj. ≈ 10mV Idle+ to Idle-